

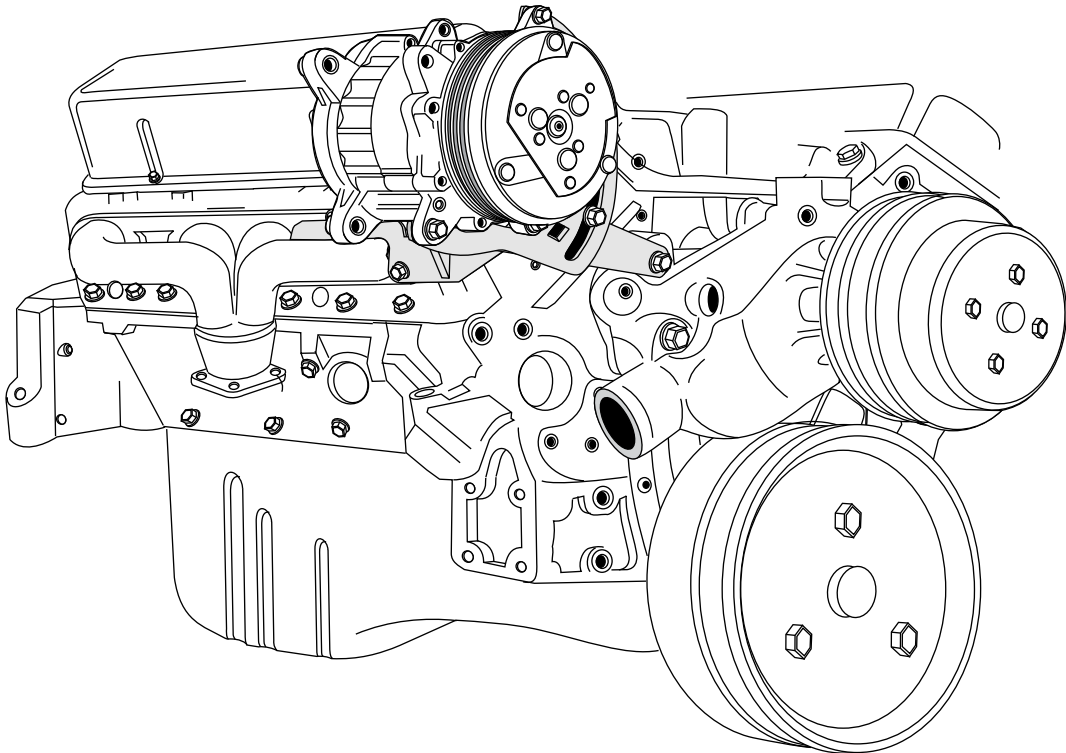


Small Block Chevrolet

Compressor Bracket Kit

Passenger Side, Short Pump *with* Headers

(15127-SCA)



18865 Goll St. San Antonio, TX 78266
Phone: 800-862-6658
Sales: sales@vintageair.com
Tech Support: tech@vintageair.com
www.vintageair.com



www.vintageair.com

Table of Contents

Cover..... 1

Table of Contents..... 2

Packing List/Parts Disclaimer..... 3

Compressor Bracket Installation..... 4

Compressor Bracket Installation (Cont.)..... 5

Belt Routing, Compressor Warnings..... 6

Packing List..... 7

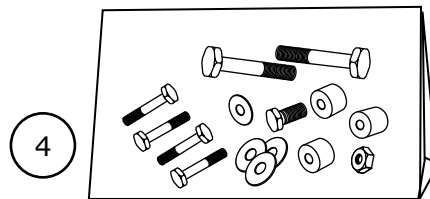
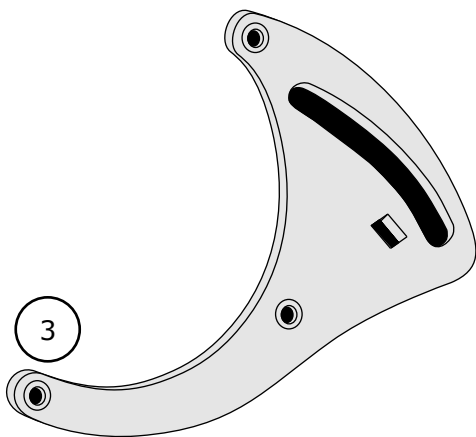
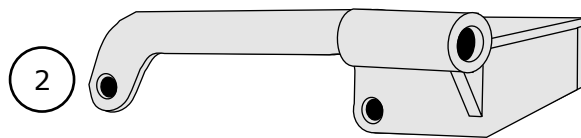
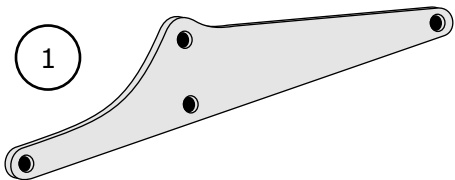


www.vintageair.com

Packing List: Small Block Chevrolet Compressor Bracket Kit (15127-SCA)

No.	Qty.	Part No.	Description
1.	1	146060-SCR	Bracket, Front
2.	1	14617-SCA	Bracket, Rear
3.	1	146006-SCR	Bracket, Compressor
4.	1	19103-HCA	Hardware Kit

**** Before beginning installation, open all packages and check contents of shipment. Please report any shortages directly to Vintage Air within 15 days. After 15 days, Vintage Air will not be responsible for missing or damaged items.**



NOTE: Images may not depict actual parts and quantities. Refer to packing list for actual parts and quantities.

NOTE: Before tightening bolts, assemble all brackets loosely to engine. This will ensure proper alignment of all brackets.

www.vintageair.com

Compressor Bracket Installation

1. Remove the top passenger side water pump mounting bolt (discard) (See Figure 1, below).
2. Remove the first and third passenger side header bolts (discard) (See Figure 1, below).
3. Attach the front bracket to the water pump using a 3/8" x 2" bolt, lock washer and 1/8" spacer (See Figure 2, Page 5).
4. Attach the rear bracket to the header using (2) 3/8" x 1 1/4" 6-point bolts (See Figure 2, Page 5).

NOTE: Header spacers are required as follows:

A. 3/8" flange headers do not require spacers.

B. 1/4" flange headers require (2) 1/8" spacers between the rear bracket and the header (See Figure 3, Page 5).

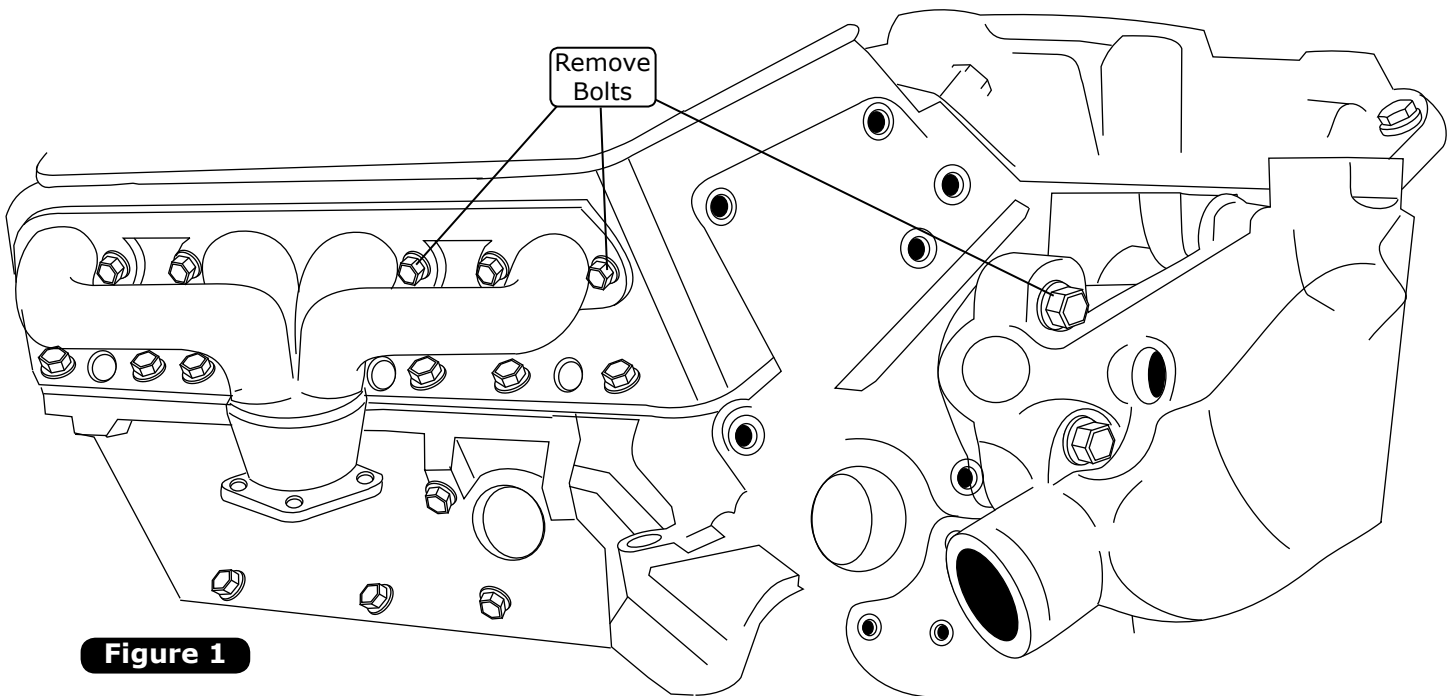


Figure 1

Compressor Bracket Installation (Cont.)

www.vintageair.com

NOTE: Assemble all brackets loosely to the engine before tightening bolts. This will ensure proper alignment of all brackets.

NOTE: This bracket was designed to use 3/8" flange headers. If using 1/4" flange headers, you must use (2) 1/8" spacers between the compressor bracket and the flange (See Figure 3, below).

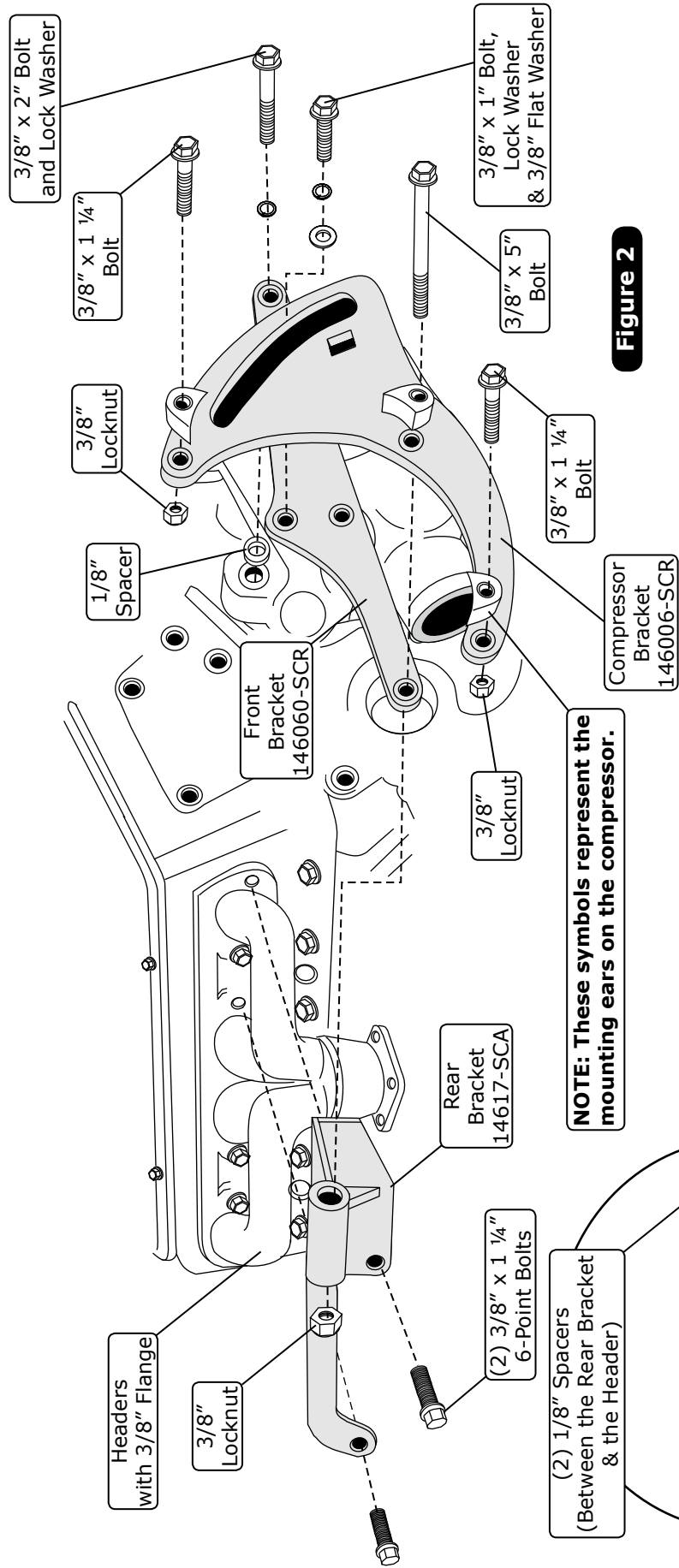


Figure 2

NOTE: These symbols represent the mounting ears on the compressor.

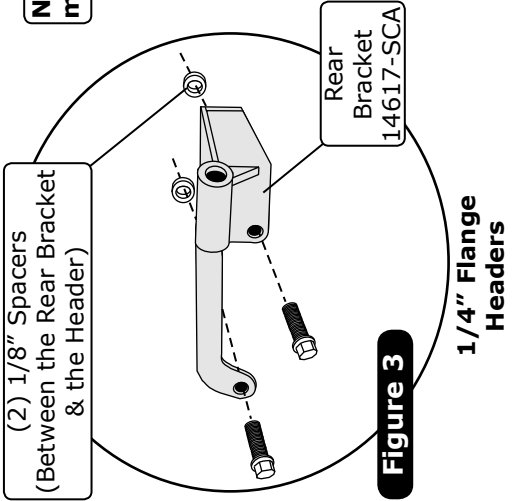
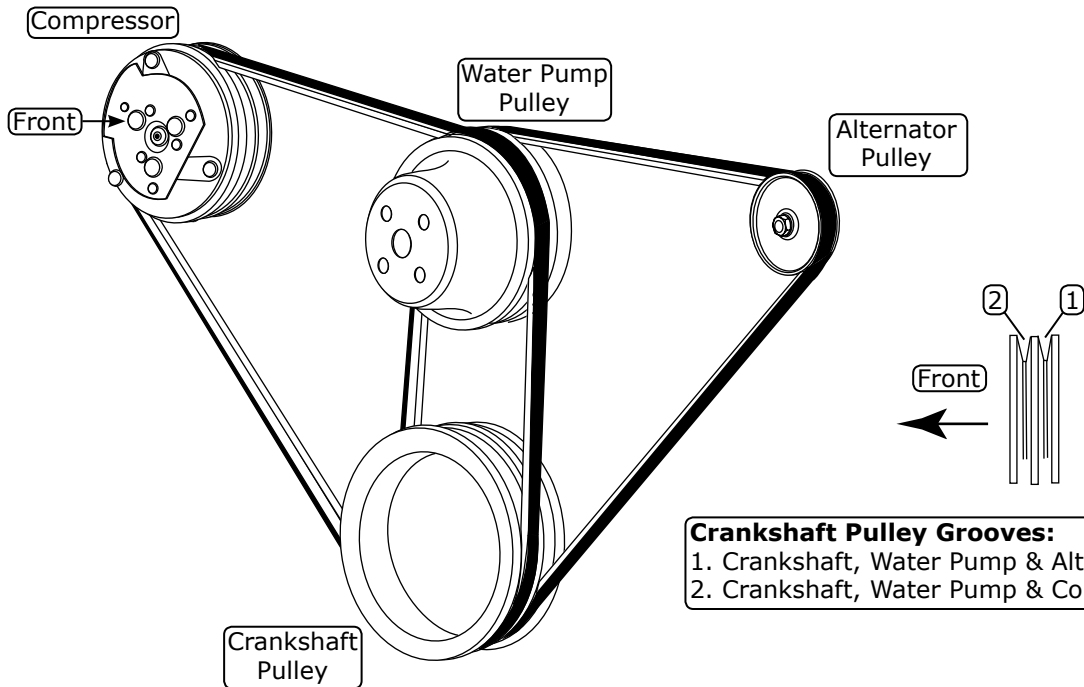


Figure 3

Belt Routing

1. Route belts as shown below. Vintage Air recommends using only Dayco, Gates or Goodyear brand reinforced V-belts with this compressor bracket kit. Compressor belt length of 58 to 59 inches is recommended. **NOTE: This can vary with diameter of your water pump and crankshaft pulleys.**



Crankshaft Pulley Grooves:
 1. Crankshaft, Water Pump & Alternator
 2. Crankshaft, Water Pump & Compressor (Front Groove)

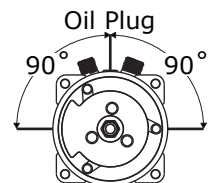
Compressor Warnings

NOTE: Failure to follow these procedures will void all warranties.

1. With compressor kit installed, and belt tightened, check angle of oil plug on compressor. As shown below, oil plug must not exceed 90° beyond vertical centerline.
2. Do not connect compressor clutch wire until system is being charged with refrigerant. Running compressor without refrigerant charge may result in compressor failure.

IMPORTANT NOTICE:

- Do not connect compressor clutch wire until system is being charged with refrigerant. Since an A/C system relies on refrigerant to circulate lubricant, running the compressor without refrigerant may destroy the compressor and void the warranty.
- Proper compressor orientation is important. Sanden compressors may be rotated from vertical (oil fill plug at top) up to 90° in either direction (See illustration).



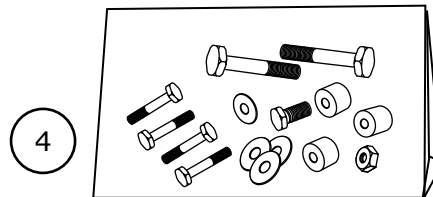
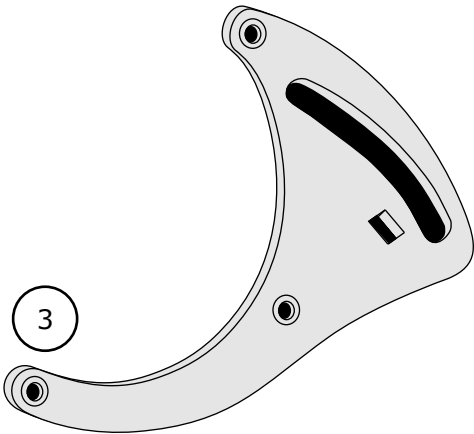
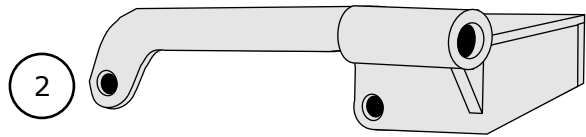
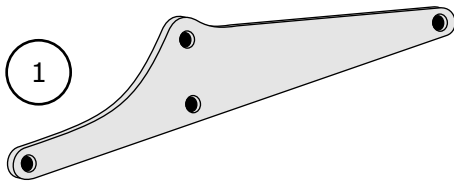


www.vintageair.com

Packing List: Small Block Chevrolet Compressor Bracket Kit (15127-SCA)

No.	Qty.	Part No.	Description
1.	1	146060-SCR	Bracket, Front
2.	1	14617-SCA	Bracket, Rear
3.	1	146006-SCR	Bracket, Compressor
4.	1	19103-HCA	Hardware Kit

Checked By: _____
 Packed By: _____
 Date: _____



**NOTE: Images may not depict actual parts and quantities.
Refer to packing list for actual parts and quantities.**