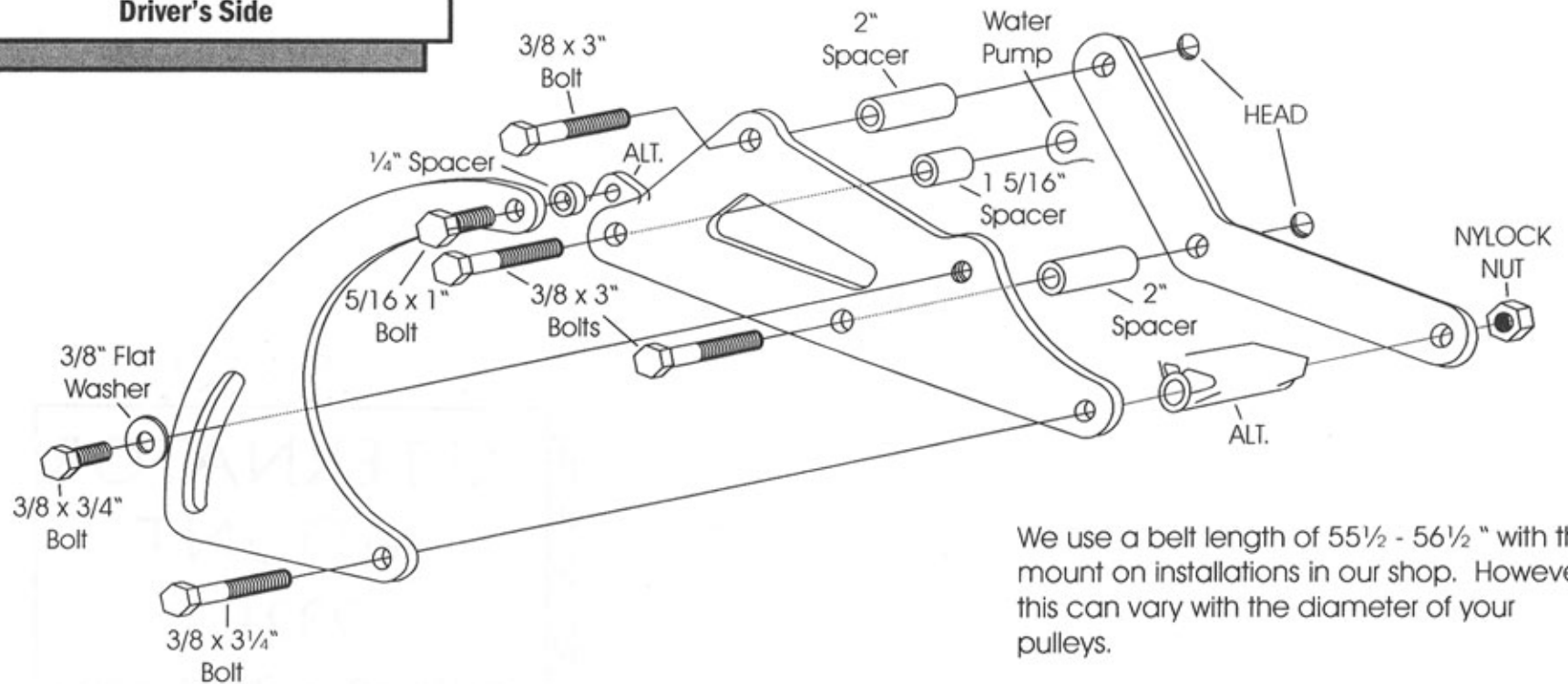


Vintage Air Part # 15146-VCB

ALTERNATOR MOUNT

232L

Small Block Chevy - Short Water Pump
Driver's Side



We use a belt length of 55½ - 56½" with this mount on installations in our shop. However; this can vary with the diameter of your pulleys.

As with any mount system, assemble all of the brackets to engine BEFORE TIGHTENING THE BOLTS.

As with any part of this nature, make sure it fits your application before painting or plating. Parts that have been painted, plated, or modified may not be returned.