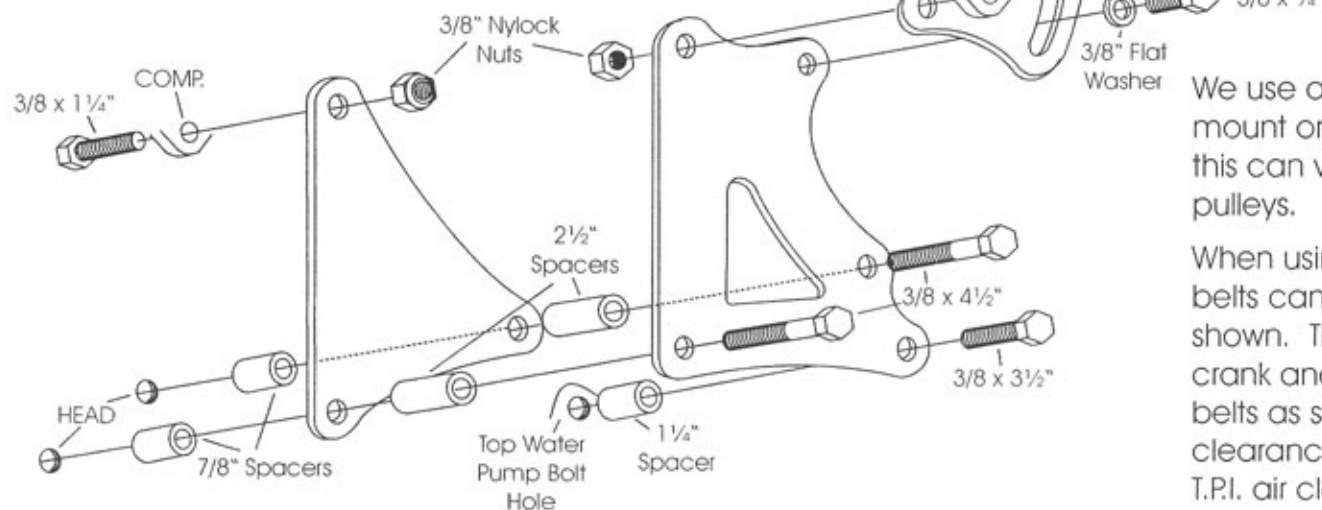
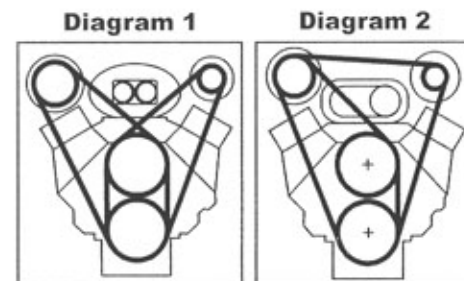
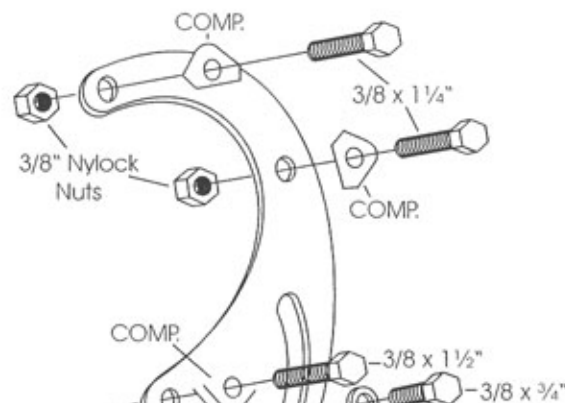


Vintage Air Part # 15151-VCB

A.C. COMPRESSOR MOUNT 131R

Small Block Chevy - Long Water Pump
1987 and Later Cast Iron Head
Including Vortec - Passenger Side

The compressor belt will run in the outer grooves of the crank and water pump pulleys originally used for the factory alternator. It was designed to be used with our Driver's Side Alternator Mount.



We use a belt length of 59-60" with this mount on installations in our shop. However; this can vary with the diameter of your pulleys.

When using both A.C. and Alternator Brackets, belts can be run either of two ways, - as shown. They will require the use of 2 groove crank and water pump pulleys. Routing the belts as shown in Diagram 2 - will allow clearance for small blowers and extra room for T.P.I. air cleaners. The long belt will be approximately 70-71." As with any mount system, assemble all of the brackets to engine BEFORE TIGHTENING THE BOLTS.

As with any part of this nature, make sure it fits your application before painting or plating. Parts that have been painted, plated, or modified may not be returned.