

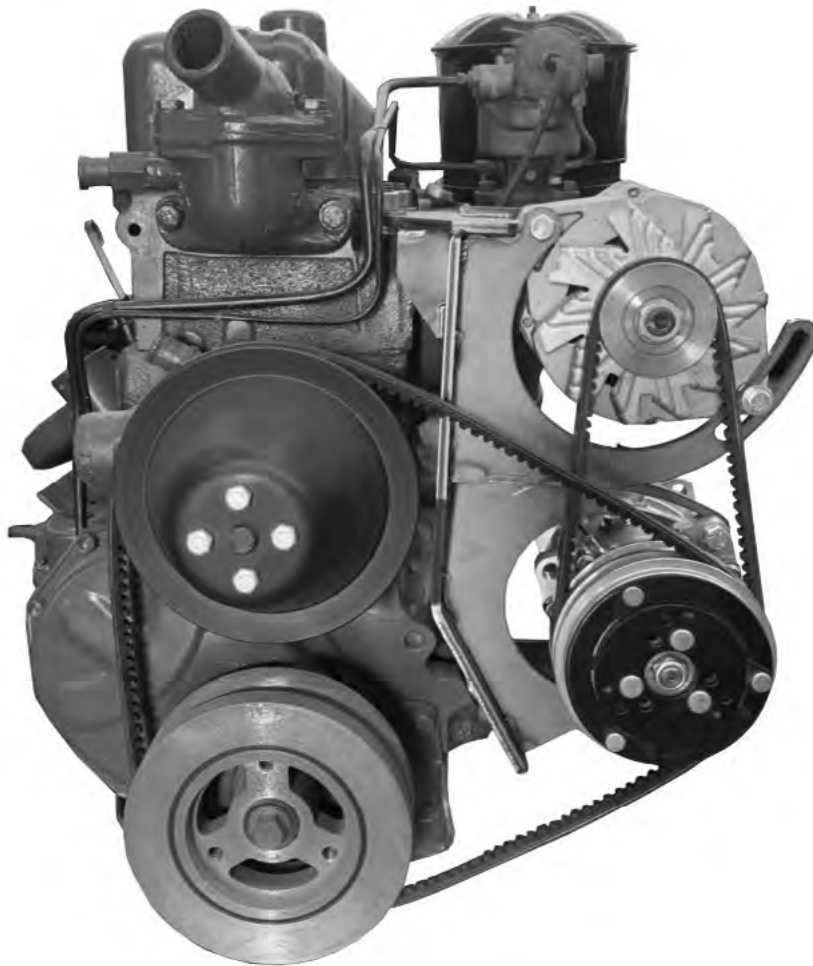


an ISO 9001:2015 Registered Company

235, 261 6-Cylinder Chevrolet

Compressor & Alternator Bracket Kit

(152830)



18865 Goll St. San Antonio, TX 78266
Phone: 800-862-6658
Sales: sales@vintageair.com
Tech Support: tech@vintageair.com
www.vintageair.com



www.vintageair.com

Table of Contents

Cover..... 1

Table of Contents..... 2

Packing List/Parts Disclaimer..... 3

Engine Disassembly..... 4

Compressor/Alternator Mounting Bracket Installation..... 5

Compressor/Alternator Installation..... 6

Final Steps..... 7

Packing List..... 8

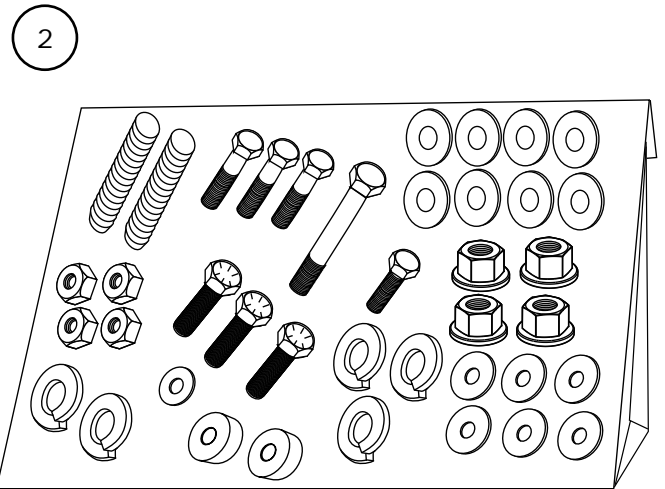
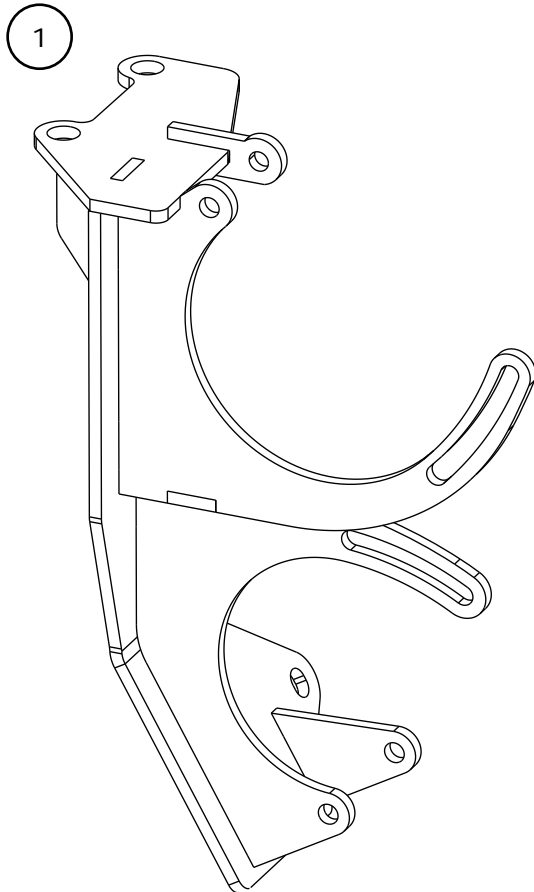


www.vintageair.com

Packing List: Bracket Kit (152830)

No.	Qty.	Part No.	Description
1.	1	146424	Chevrolet 235 Bracket Assembly
2.	1	196424	Hardware Kit

**** Before beginning installation, open all packages and check contents of shipment. Please report any shortages directly to Vintage Air within 15 days. After 15 days, Vintage Air will not be responsible for missing or damaged items.**



NOTE: Images may not depict actual parts and quantities. Refer to packing list for actual parts and quantities.

Preliminary Information

1. This bracket will not work with the front motor mount.

Engine Disassembly

NOTE: Before installing bracket assembly onto engine, refer to dimensional references provided. **Brackets must be installed to the specified measurements, or the compressor bracket kit will not function correctly.** May not clear some factory air cleaners. Make sure the engine is not hot and release the pressure on the radiator cap to prevent accident or injury during removal.

1. Disconnect the battery.
2. Remove the OEM engine fan, fan pulley and belts (Retain).
3. Remove the generator and mounting brackets (See Figure 1, below).
4. Remove the front (2) 1/2-13 cylinder head bolts as shown in Figure 1, below.

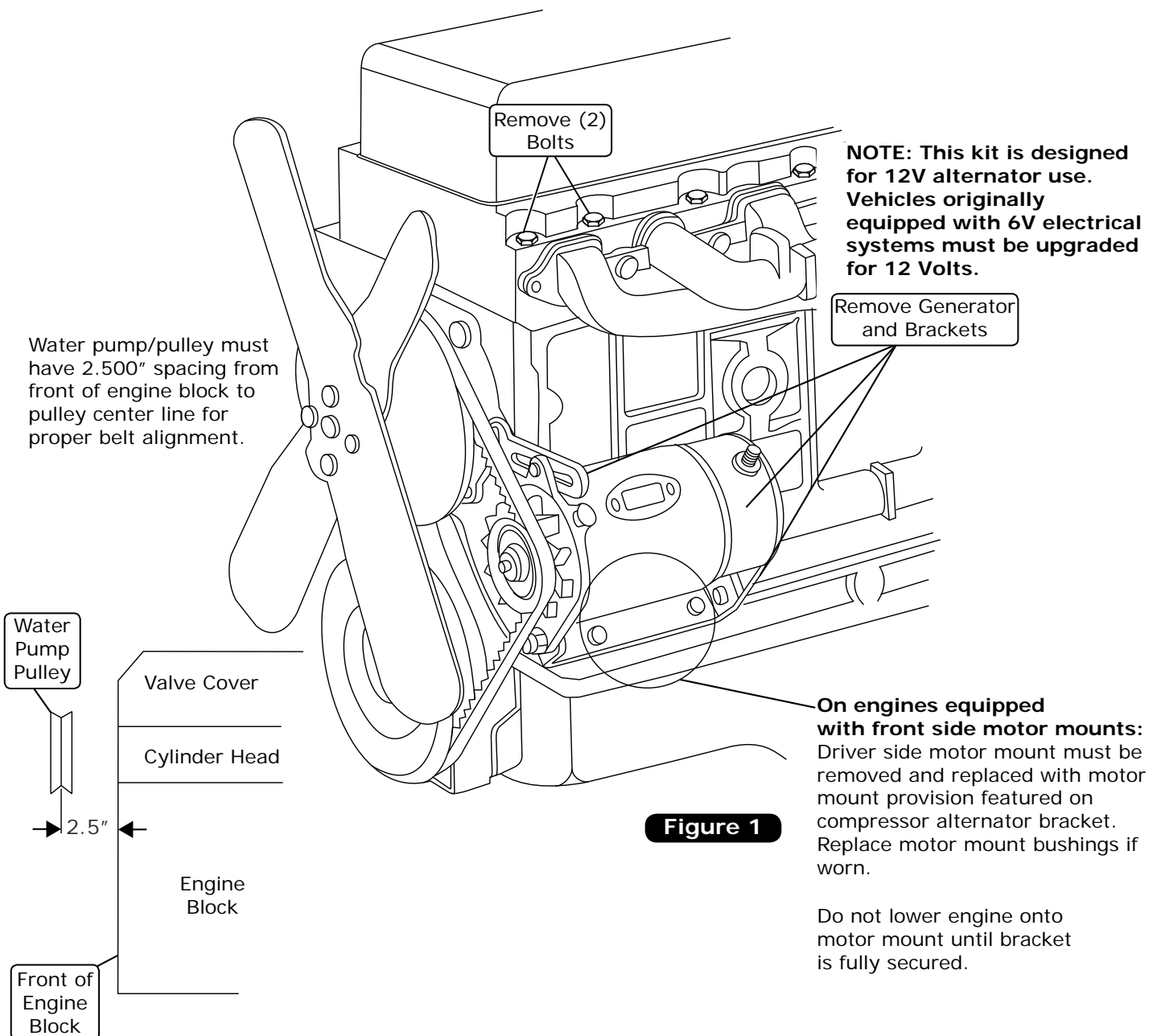


Figure 1

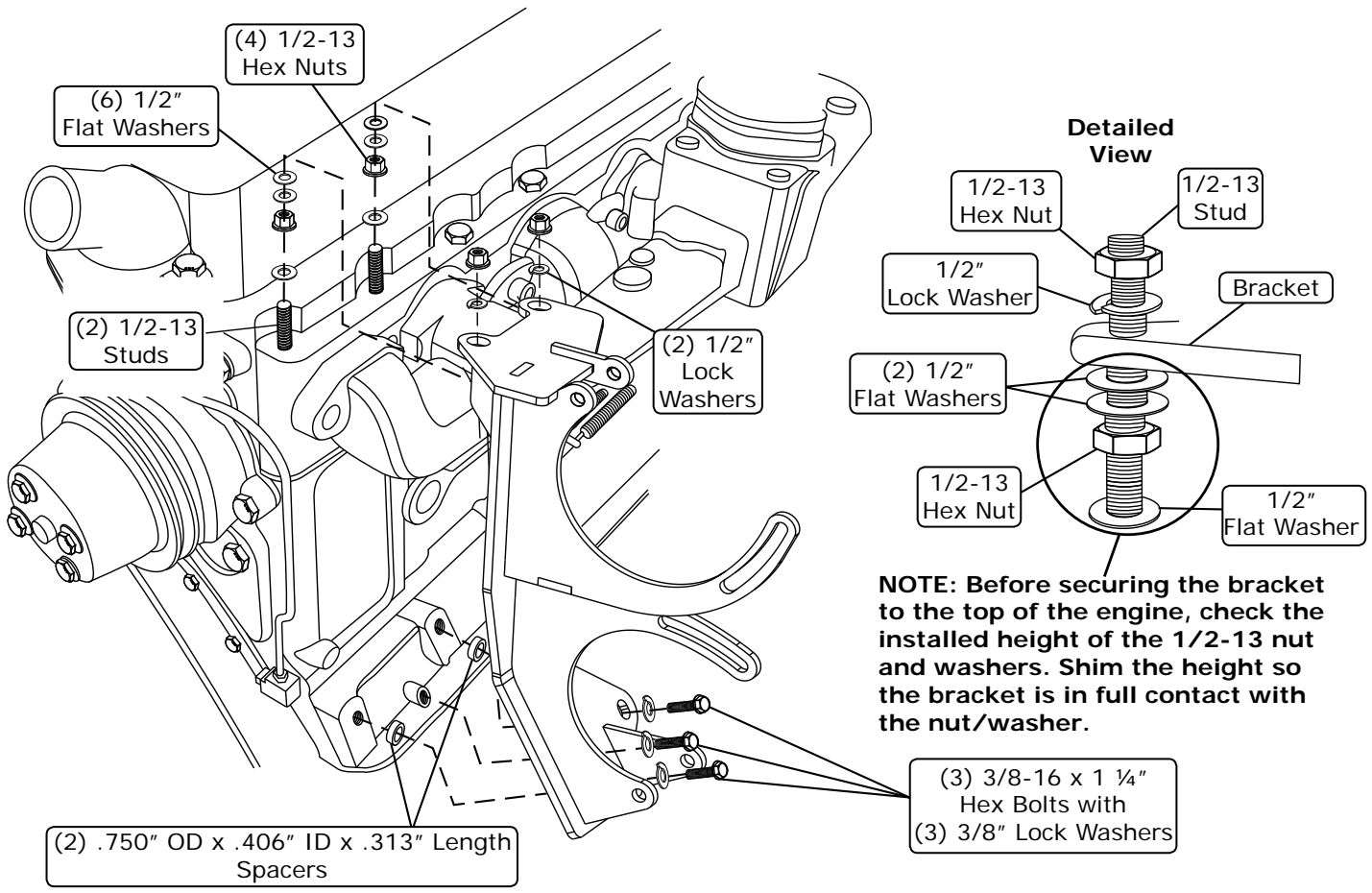


www.vintageair.com

NOTE: Before tightening bolts, assemble all brackets loosely to engine. This will ensure proper alignment of all brackets.

Compressor/Alternator Mounting Bracket Installation

1. Install the compressor/alternator mounting bracket onto the engine using (3) 3/8-16 x 1 1/4" bolts, (3) 3/8" lock washers and (2) .750" OD x .406" ID x .313" length spacers for the lower mounting provisions. Install (2) 1/2-13 studs, (6) 17/32" flat washers, (2) 1/2" lock washers as shown in figure 2, below. NOTE: Use thread sealant on the 1/2-13 studs before inserting them into the engine block. Insert the stud to the original bolt depth (Approximately 3.25"). Torque nuts to 90-95 ft. lbs.



NOTE: Before securing the bracket to the top of the engine, check the installed height of the 1/2-13 nut and washers. Shim the height so the bracket is in full contact with the nut/washer.

Figure 2

Compressor & Alternator Installation

1. Install the compressor onto the mounting bracket using (3) 3/8-16 x 1 1/2" bolts, (3) 3/8" flat washers and (3) 3/8-16 locknuts as shown in Figure 3, below.
2. Install a 3/8-16 x 3" hex bolt with a 3/8" flat washer onto the top of the alternator and mount as shown in Figure 3, below.
3. Using a 5/16-18 x 1" hex bolt and 5/16" flat washer, install the bottom of the alternator to the upright alternator mounting bracket as shown in Figure 3, below.

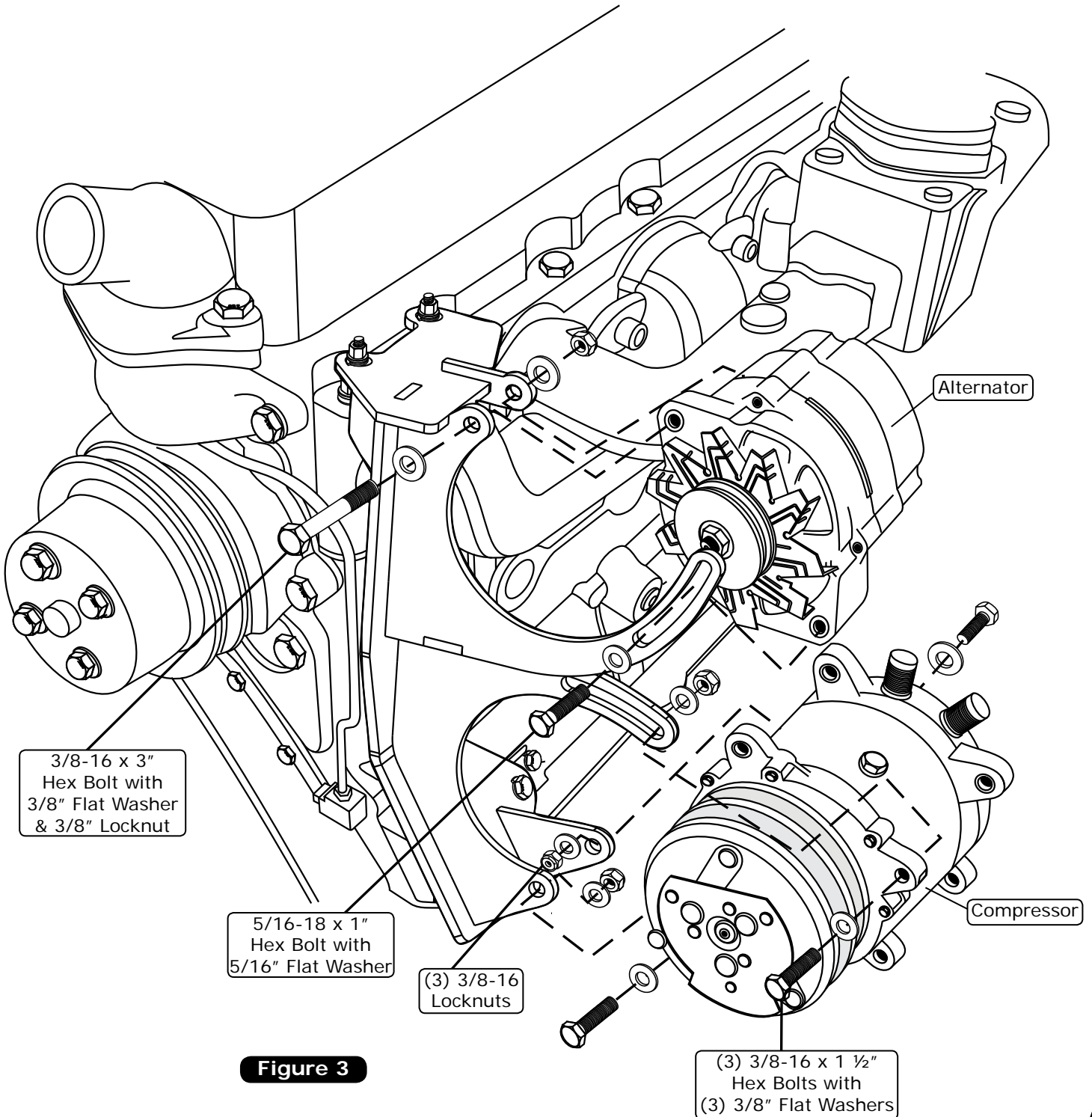


Figure 3

Final Steps

1. Install the engine fan pulley and fan.
2. Install the belts as shown in Figure 4, below. Adjust to the proper tension and tighten all bolts.
NOTE: Vintage Air recommends using only Dayco, Gates or Goodyear brand reinforced V-belts with this bracket kit. Belt lengths may vary depending on the accessories present and the diameter of the water pump, crankshaft, alternator and power steering pulleys.
3. Check for proper clearance between the compressor, compressor clutch, mounting bracket and all heater hoses and oil lines. Fill up the radiator to replace any fluids lost during the installation process.

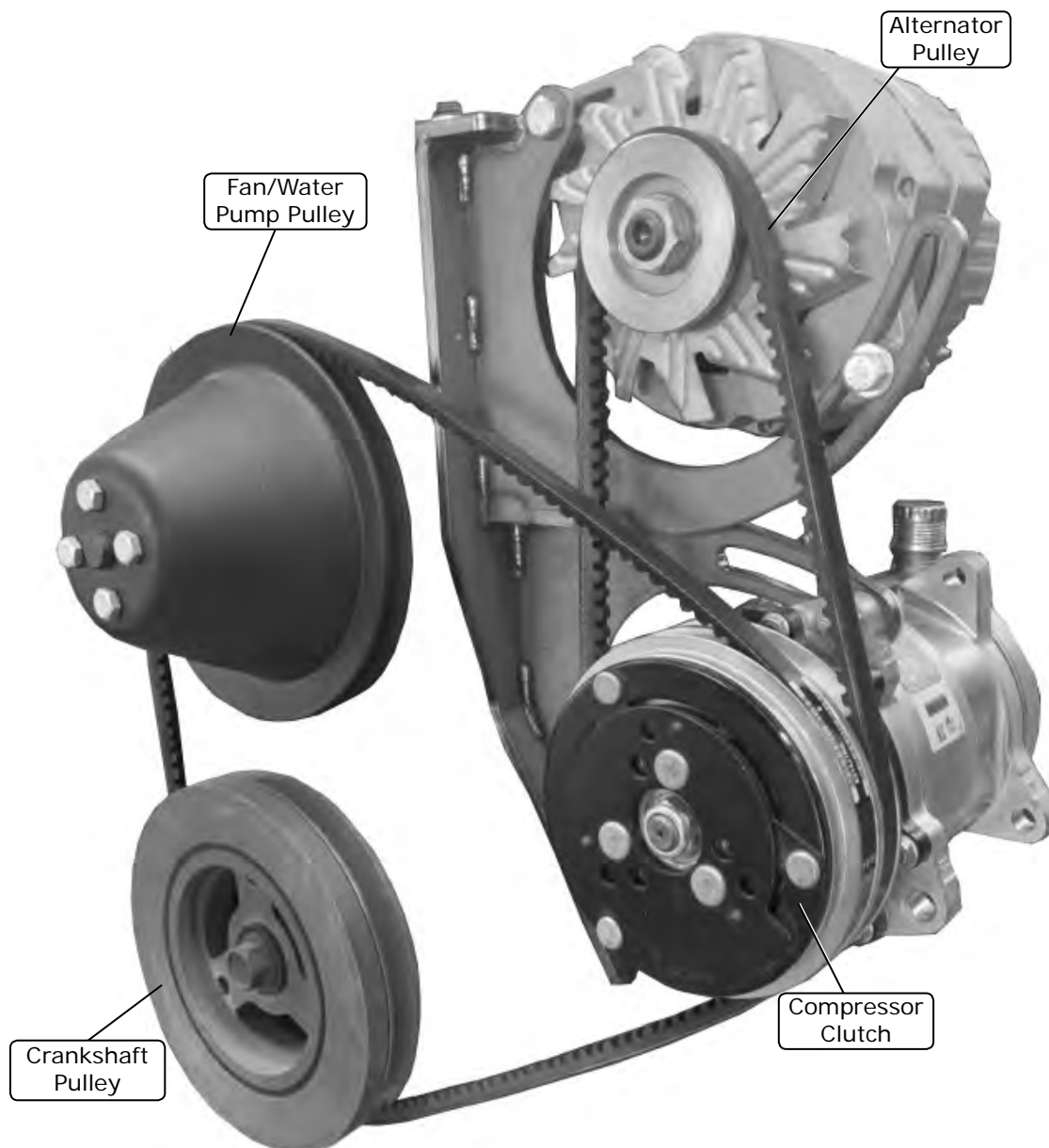


Figure 4

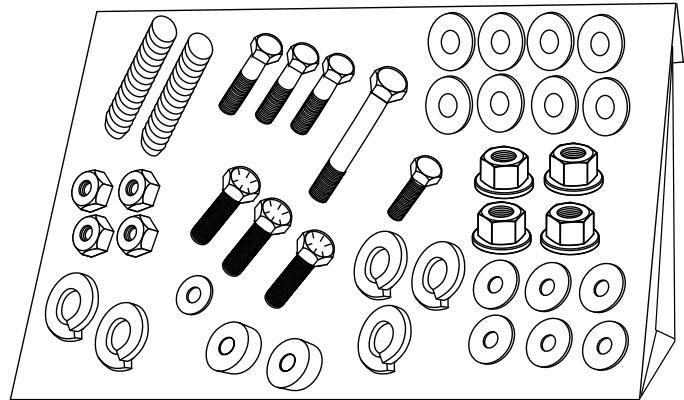
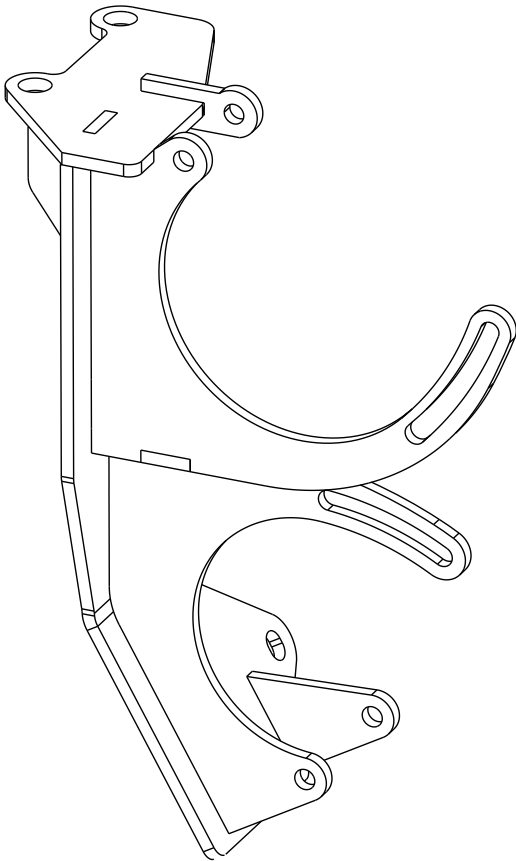


www.vintageair.com

Packing List: Bracket Kit (152830)

No.	Qty.	Part No.	Description
1.	1	146424	Chevrolet 235 Bracket Assembly
2.	1	196424	Hardware Kit

Checked By: _____
 Packed By: _____
 Date: _____



**NOTE: Images may not depict actual parts and quantities.
 Refer to packing list for actual parts and quantities.**