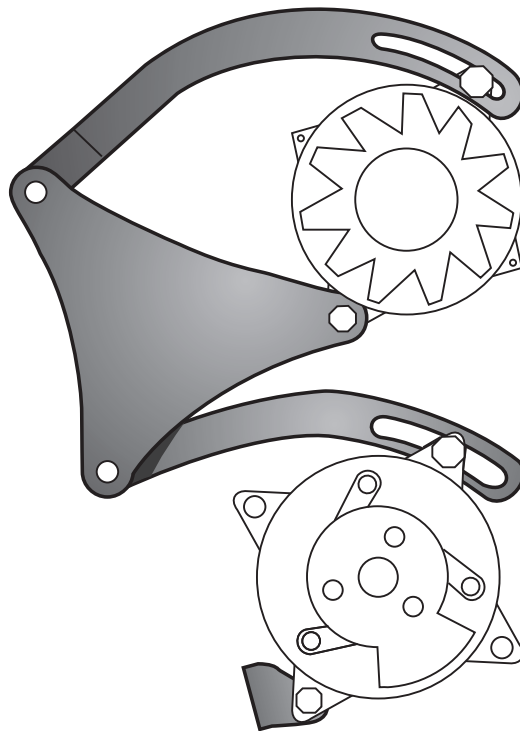




an ISO 9001:2008 Registered Company

INSTALLATION INSTRUCTIONS FOR  
1955-62 CHEVY A/C ALTERNATOR (235 6cyl.)  
**COMPRESSOR BRACKET**  
(HI-MOUNT)  
**ASSEMBLY - #15284-VCB**



18865 GOLL ST. - SAN ANTONIO, TX. - 78266 - ph.210-654-7171 - fax 210-654-3113

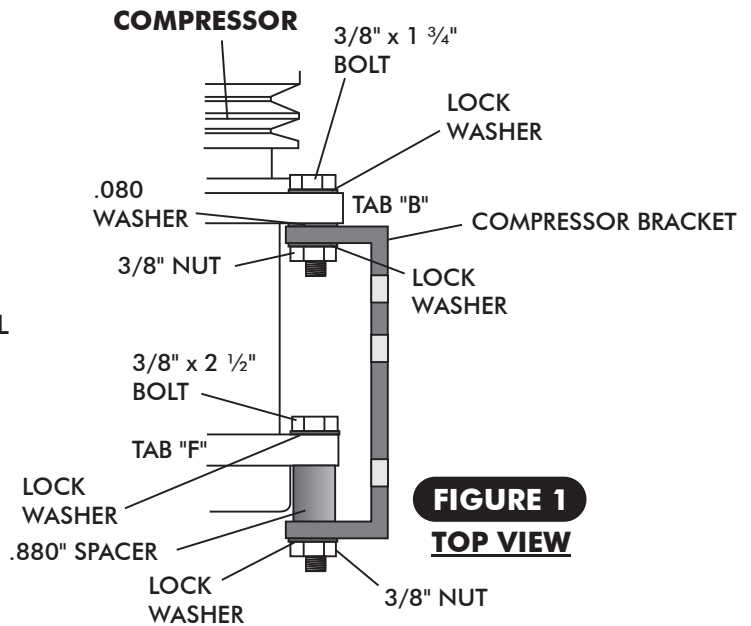


# 1955-62 CHEVY A/C ALTERNATOR COMPRESSOR BRACKET ASSEMBLY

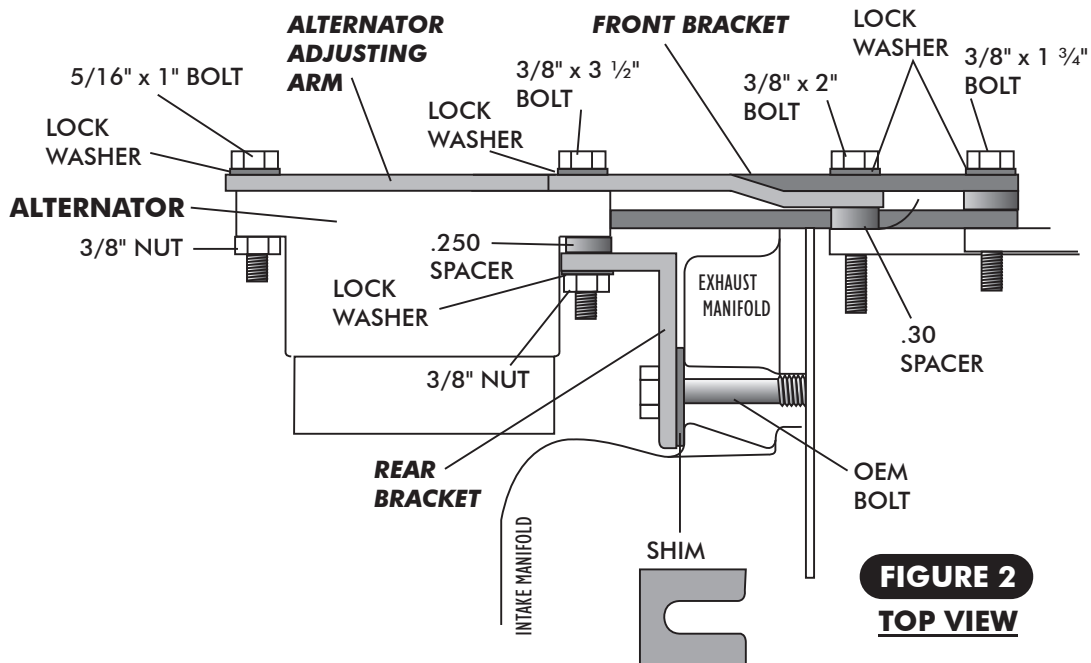
## COMPRESSOR INSTALLATION

- ASSEMBLE DRIVER'S SIDE A/C BRACKET AS SHOWN IN FIGURES 1, 2, 4 & 5.
- DO NOT TIGHTEN BOLTS COMPLETELY UNTIL PULLEY ALIGNMENT IS CHECKED BETWEEN CRANK PULLEY AND ALTERNATOR PULLEY.
- ATTACH COMPRESSOR BRACKET TO BLOCK (SEE FIGURES 1, 4 & 5). CONNECT COMPRESSOR TO COMPRESSOR BRACKET USING TABS "B" AND "D". SEE FIGURES 1, 2, 4 & 5.
- INSTALL TOP AND BOTTOM ADJUSTING ARM SPACERS AND FRONT ALTERNATOR BRACKET AS SHOWN IN FIGURES 2, 3 & 5.
- INSTALL ALTERNATOR BELT AND THEN A/C BELT (SEE FIGURE 3).
- ADJUST A/C COMPRESSOR AND CHECK ALIGNMENT WITH CRANK PULLEY.
- TIGHTEN A/C BRACKET (WHEN ALIGNED PROPERLY) AND TENSION BELT.
- ALIGN ALTERNATOR PULLEY WITH A/C PULLEY AND TENSION BELT.

**NOTE** → LATER MODEL WATER PUMP WITH SMALL GROOVE WATER PUMP PULLEY WILL BE REQUIRED TO USE A 15 SERIES BELT.



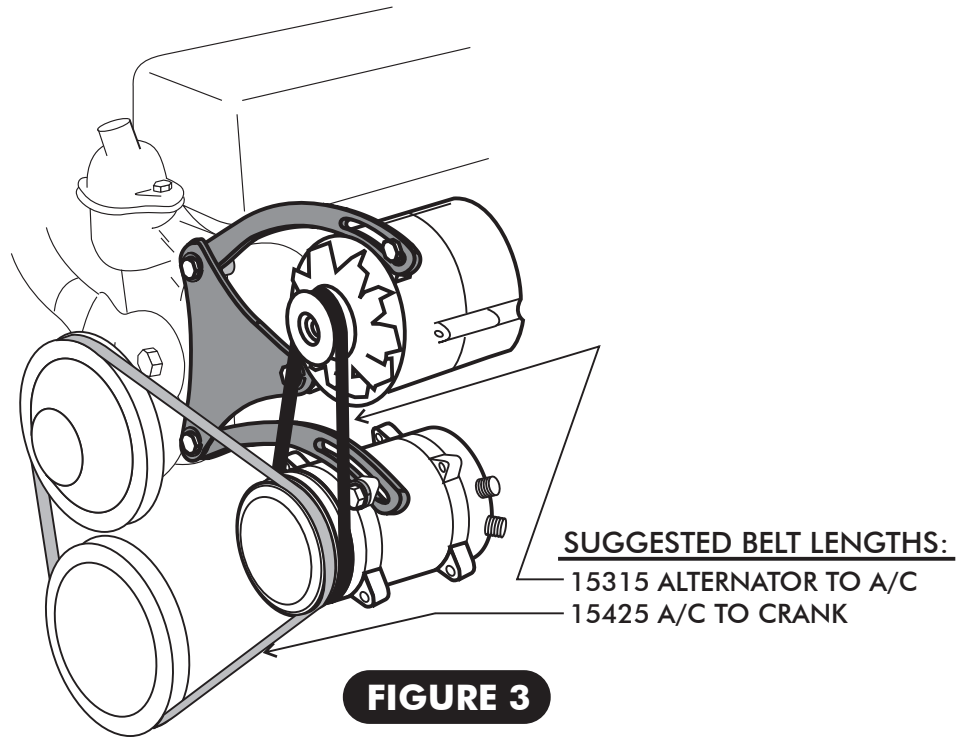
**FIGURE 1  
TOP VIEW**



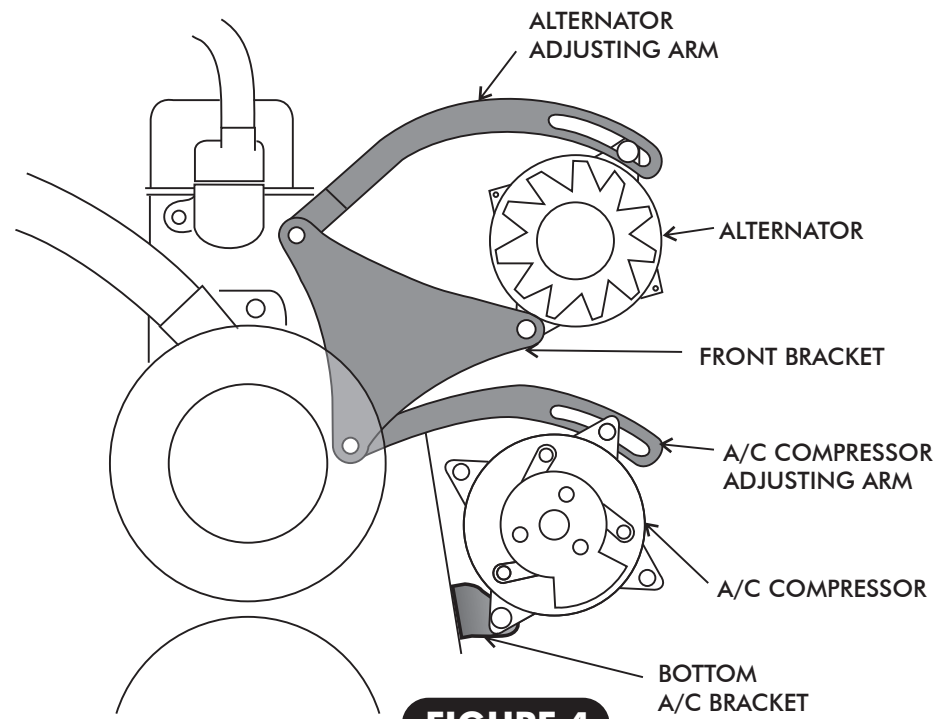
**FIGURE 2  
TOP VIEW**



# 1955-62 CHEVY A/C ALTERNATOR COMPRESSOR BRACKET ASSEMBLY



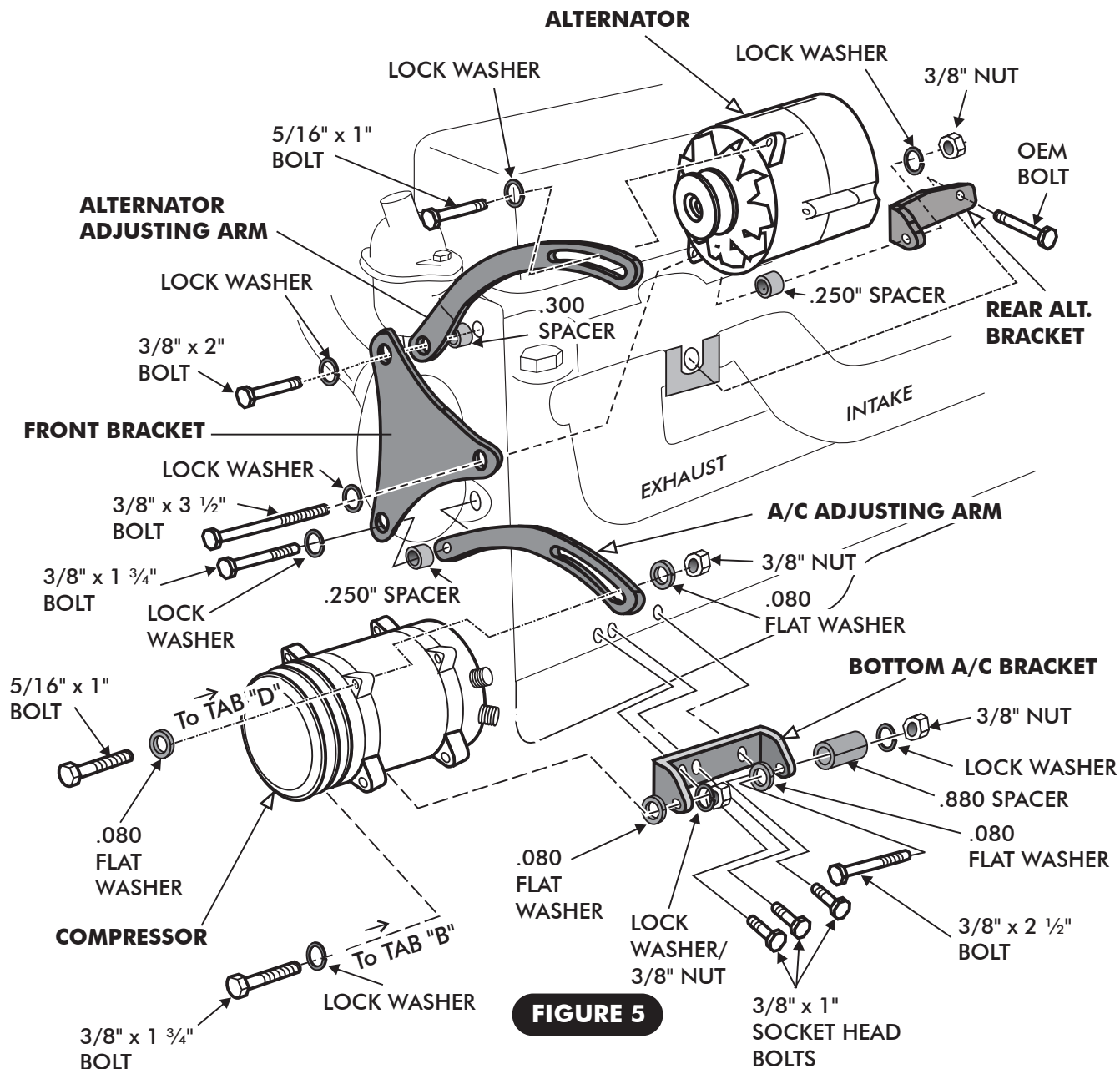
**FIGURE 3**



**FIGURE 4**



# 1955-62 CHEVY A/C ALTERNATOR COMPRESSOR BRACKET ASSEMBLY



**FIGURE 5**

## #15284-VCB PARTS LIST

QTY.	DESCRIPTION	QTY.	DESCRIPTION
4	FLAT WASHER	3	3/8" x 1" SOCKET HEAD BOLT
8	LOCK WASHER	2	3/8" x 1 3/4" BOLT
1	.150" SHIM	1	3/8" x 2" BOLT
2	.250" SPACER	1	3/8" x 2 1/2" BOLT
1	.300" SPACER	1	3/8" x 3 1/2" BOLT
1	.880" SPACER	1	FRONT BRACKET
4	3/8" NUT	1	ALT. ADJUSTING ARM
1	5/16" x 1" BOLT	1	COMP. ADJUSTING ARM
		1	BACK A/C COMP. BRACKET