



**INSTALLATION INSTRUCTIONS
SMALL BLOCK CHEVY
SHORT PUMP
DRIVER SIDE
w/ MANIFOLD
ALTERNATOR BRACKET
(15826-SCA)**

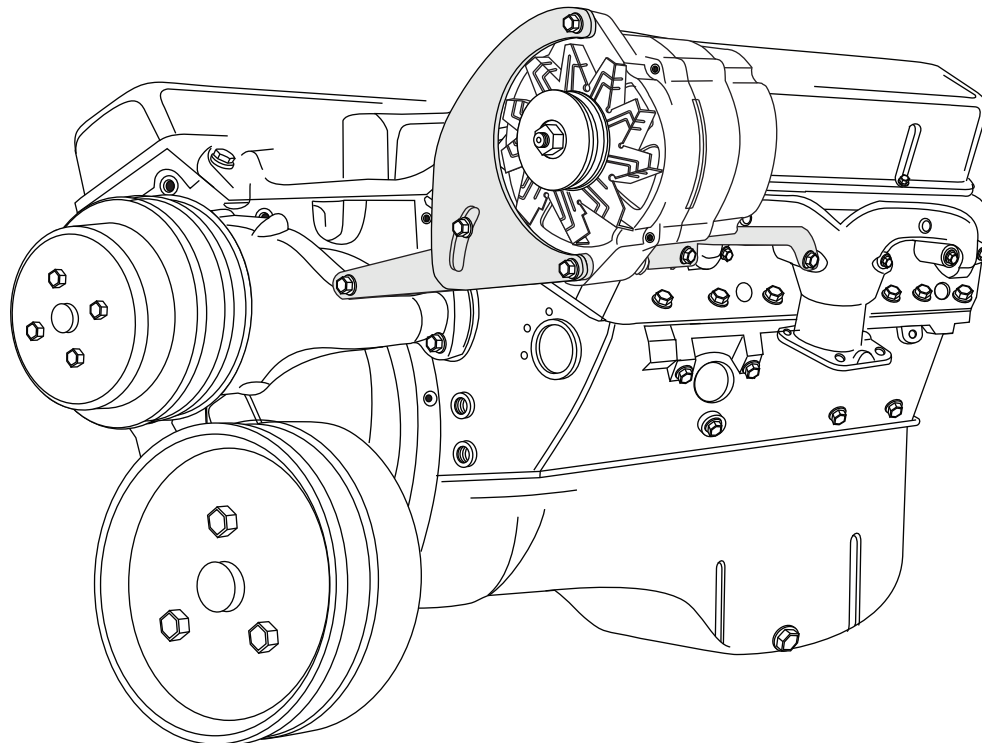




Table of Contents

PAGES

1. COVER
2. TABLE OF CONTENTS
3. PACKING LIST
4. ALTERNATOR MOUNTING BRACKET INSTALLATION
5. INSTALLATION DIAGRAM
6. PACKING LIST



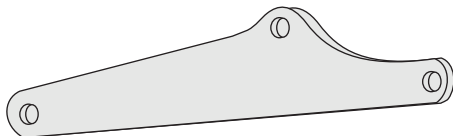
SMALL BLOCK CHEVY S/P ALTERNATOR BRACKET
(DRIVER SIDE w/ MANIFOLDS)

(15826-SCA) PACKING LIST

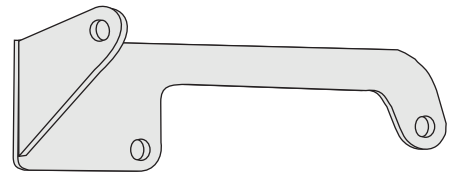
No.	QTY.	PART No.	DESCRIPTION
1.	1	14610-SCR	FRONT MOUNTING BRKT
2.	1	14618-SCA	REAR MOUNTING BRKT w/ MANIFOLD
3.	1	14611-SCR	ALTERNATOR MOUNTING BRKT
4.	1	19104-HCA	HARDWARE KIT

**** BEFORE BEGINNING INSTALLATION, OPEN ALL PACKAGES AND CHECK CONTENTS OF SHIPMENT. PLEASE REPORT ANY SHORTAGES DIRECTLY TO VINTAGE AIR WITHIN 15 DAYS. AFTER 15 DAYS, VINTAGE AIR WILL NOT BE RESPONSIBLE FOR MISSING OR DAMAGED ITEMS.**

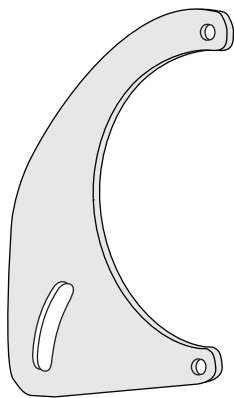
①



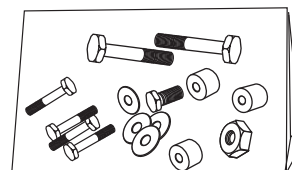
②



③



④



INSTALLATION INSTRUCTIONS

ALTERNATOR MOUNTING BRACKET INSTALLATION

- 1. REMOVE THE TOP WATER PUMP MOUNTING BOLT DRIVER SIDE (DISCARD) (SEE FIGURE 1, BELOW).
- 2. REMOVE 1ST AND 3RD MANIFOLD BOLTS DRIVER SIDE (DISCARD) (SEE FIGURE 1, BELOW).

NOTE: ASSEMBLE ALL BRACKETS LOOSELY TO ENGINE BEFORE TIGHTENING BOLTS. THIS WILL ENSURE PROPER ALIGNMENT OF ALL BRACKETS.

- 3. ATTACH ALTERNATOR FRONT MOUNTING BRACKET TO WATER PUMP USING 3/8" x 4" BOLT, LOCKWASHER AND 2" SPACER (SEE FIGURE 2, PAGE 5).
- 4. ATTACH ALTERNATOR REAR MOUNTING BRACKET TO MANIFOLD USING (2) 3/8" x 3 1/2" BOLTS, LOCKWASHERS, (1) 1 1/8" SPACER AND (1) 3/8" SPACER (SEE FIGURE 2, PAGE 5).

NOTE: EXHAUST SPACERS

RAM HORN MANIFOLDS USE: 3/8" SPACER AT THE REAR OF BRACKET
 1 1/8" SPACER AT THE FRONT OF BRACKET

DROP-TYPE MANIFOLD USE (2) 1 1/8" SPACERS

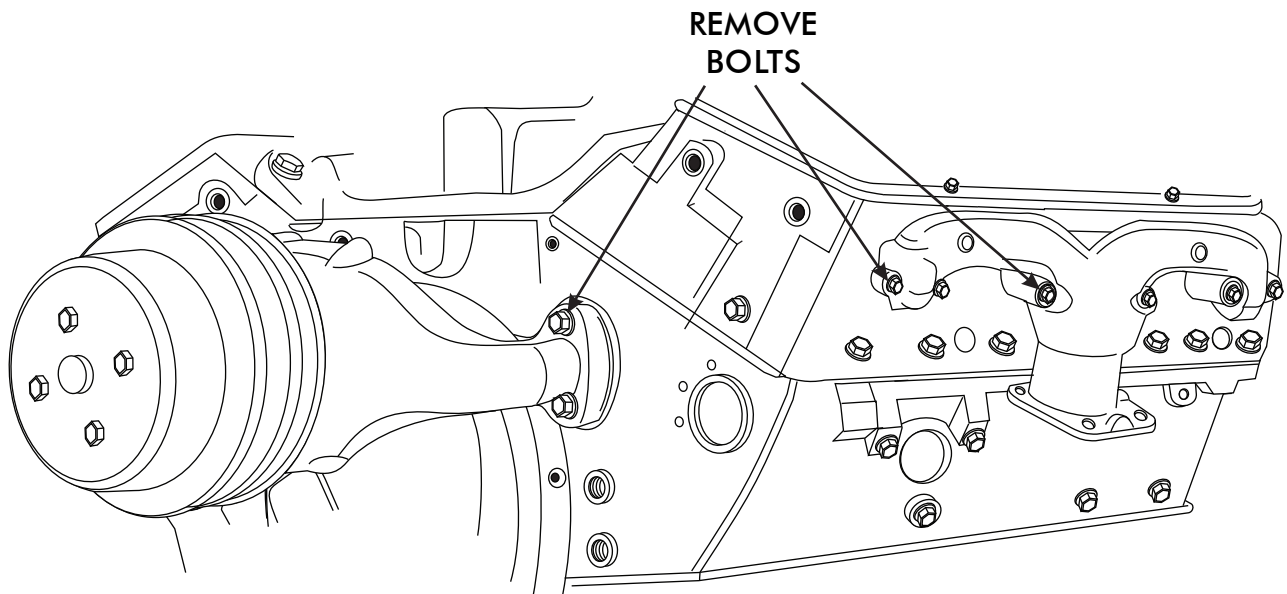


FIGURE 1



SMALL BLOCK CHEVY S/P ALTERNATOR BRACKET

NOTE: ASSEMBLE ALL BRACKETS LOOSELY TO ENGINE BEFORE TIGHTENING BOLTS. THIS WILL ENSURE PROPER ALIGNMENT OF ALL BRACKETS.

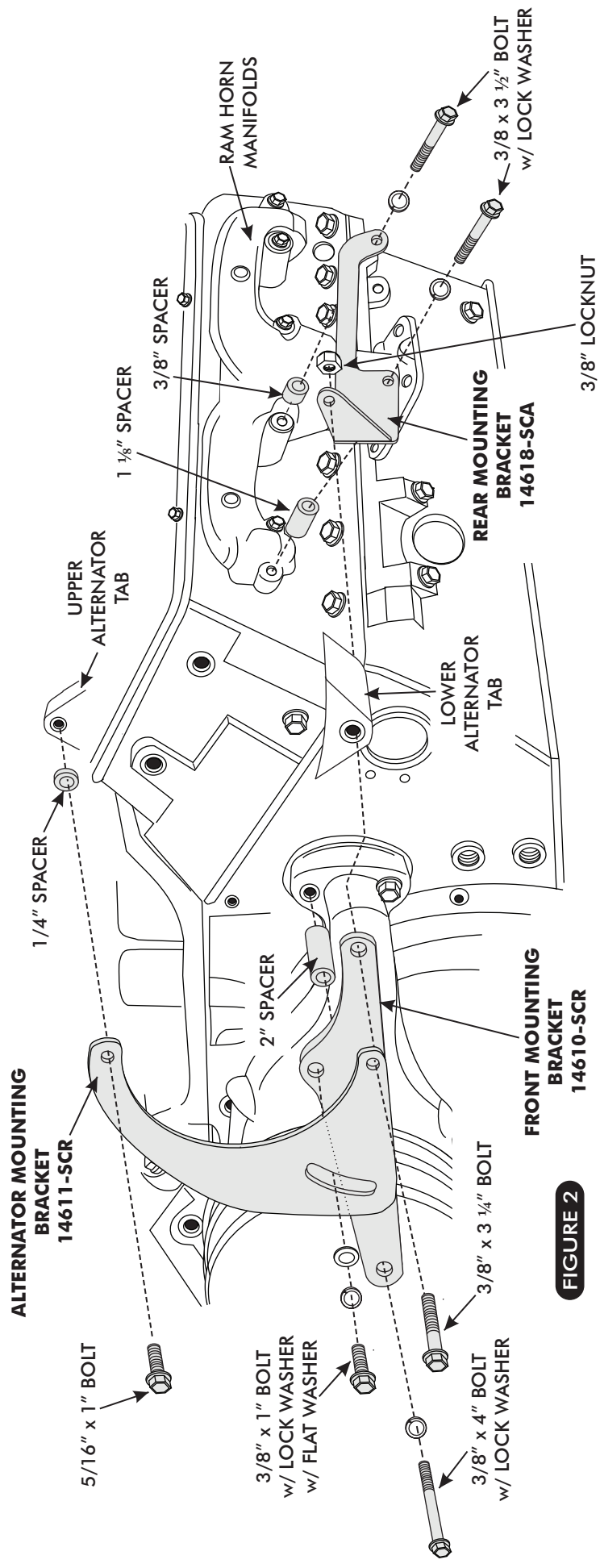
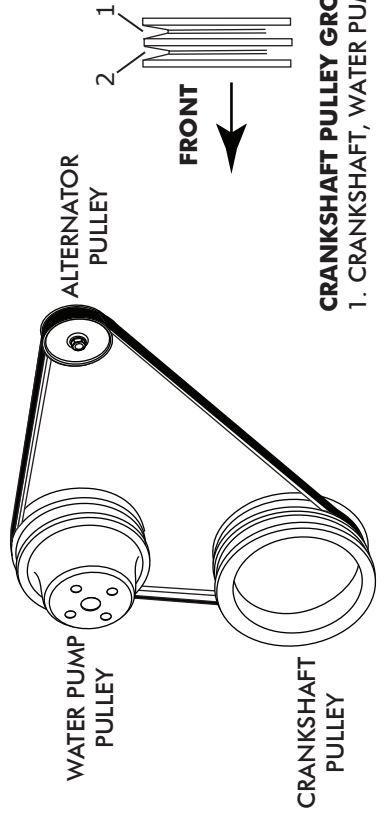


FIGURE 2



• WE RECOMMEND A BELT LENGTH OF 58 TO 59 INCHES. HOWEVER, THIS CAN VARY WITH THE DIAMETER OF YOUR WATER PUMP & CRANKSHAFT PULLEYS.

CRANKSHAFT PULLEY GROOVES:
1. CRANKSHAFT, WATER PUMP & ALTERNATOR



SMALL BLOCK CHEVY S/P ALTERNATOR BRACKET

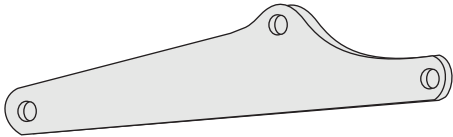
**SMALL BLOCK CHEVY S/P ALTERNATOR BRACKET
(DRIVER SIDE w/ MANIFOLDS)**

(15826-SCA) PACKING LIST

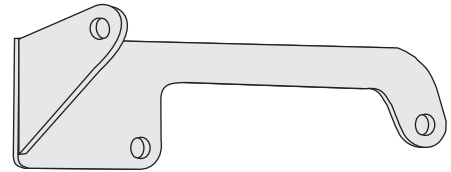
No.	QTY.	PART No.	DESCRIPTION	CHECK LIST
1.	1	14610-SCR	FRONT MOUNTING BRKT	_____
2.	1	14618-SCA	REAR MOUNTING BRKT w/ MANIFOLD	_____
3.	1	14611-SCR	ALTERNATOR MOUNTING BRKT	_____
4.	1	19104-HCA	HARDWARE KIT	_____

CHECKED BY: _____
 PACKED BY: _____
 DATE: _____

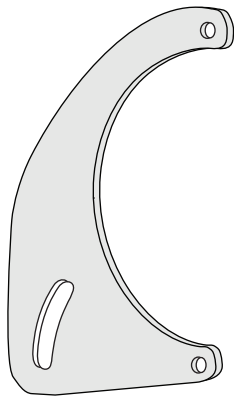
①



②



③



④

