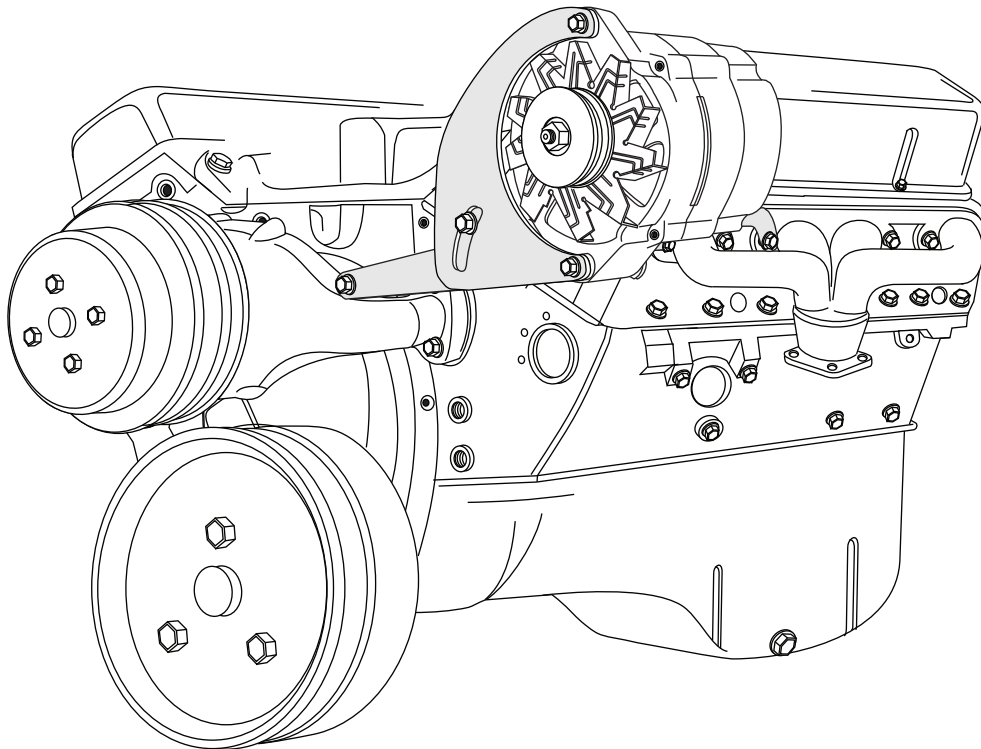




**INSTALLATION INSTRUCTIONS
SMALL BLOCK CHEVY
SHORT PUMP
DRIVER SIDE
w/ HEADERS
ALTERNATOR BRACKET
(15827-SCA)**



**18865 Goll St. San Antonio, TX 78266
Phone: 210-654-7171
Fax: 210-654-3113
www.vintageair.com**



www.vintageair.com

Table of Contents

PAGES

1. COVER
2. TABLE OF CONTENTS
3. PACKING LIST
4. ALTERNATOR MOUNTING BRACKET INSTALLATION
5. INSTALLATION DIAGRAM
6. PACKING LIST



www.vintageair.com

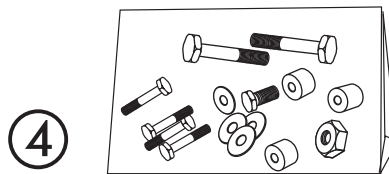
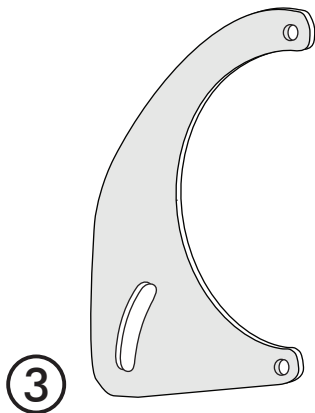
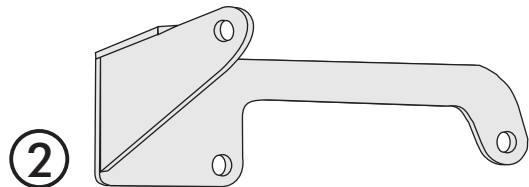
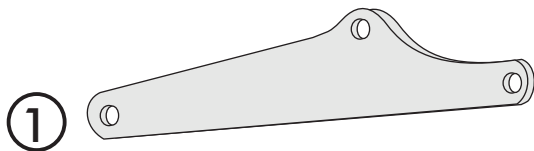
SMALL BLOCK CHEVY S/P ALTERNATOR BRACKET

DRIVER'S SIDE WITH HEADERS

(15827-SCA) PACKING LIST

No.	QTY.	PART No.	DESCRIPTION
1.	1	14610-SCR	FRONT MOUNTING BRKT
2.	1	14619-SCA	REAR MOUNTING BRKT w/ HEADERS
3.	1	14611-SCR	ALTERNATOR MOUNTING BRKT
4.	1	19105-HCA	HARDWARE KIT

**** BEFORE BEGINNING INSTALLATION, OPEN ALL PACKAGES AND CHECK CONTENTS OF SHIPMENT. PLEASE REPORT ANY SHORTAGES DIRECTLY TO VINTAGE AIR WITHIN 15 DAYS. AFTER 15 DAYS, VINTAGE AIR WILL NOT BE RESPONSIBLE FOR MISSING OR DAMAGED ITEMS.**



INSTALLATION INSTRUCTIONS

ALTERNATOR MOUNTING BRACKET INSTALLATION

- 1. REMOVE THE TOP WATER PUMP MOUNTING BOLT (DRIVER SIDE) (DISCARD). SEE FIGURE 1, BELOW.
- 2. REMOVE 1ST AND 3RD HEADER BOLTS ON DRIVER SIDE (DISCARD). SEE FIGURE 1, BELOW.

NOTE: BEFORE TIGHTENING BOLTS, ASSEMBLE ALL BRACKETS LOOSELY TO ENGINE. THIS WILL ENSURE PROPER ALIGNMENT OF ALL BRACKETS.

- 3. ATTACH ALTERNATOR FRONT MOUNTING BRACKET TO WATER PUMP USING 3/8" x 4" BOLT, LOCK WASHER AND 2" SPACER (SEE FIGURE 2, PAGE 5).
- 4. ATTACH ALTERNATOR REAR MOUNTING BRACKET TO HEADER USING (2) 3/8" x 1 1/4" BOLTS (SEE FIGURE 2, PAGE 5).

NOTE: HEADER SPACERS.

* 3/8" FLANGE HEADERS DO NOT REQUIRE SPACERS.

* 1/4" FLANGE HEADERS REQUIRE (2) 1/8" SPACERS BETWEEN BRACKET AND HEADER (SEE FIGURE 3, PAGE 5).

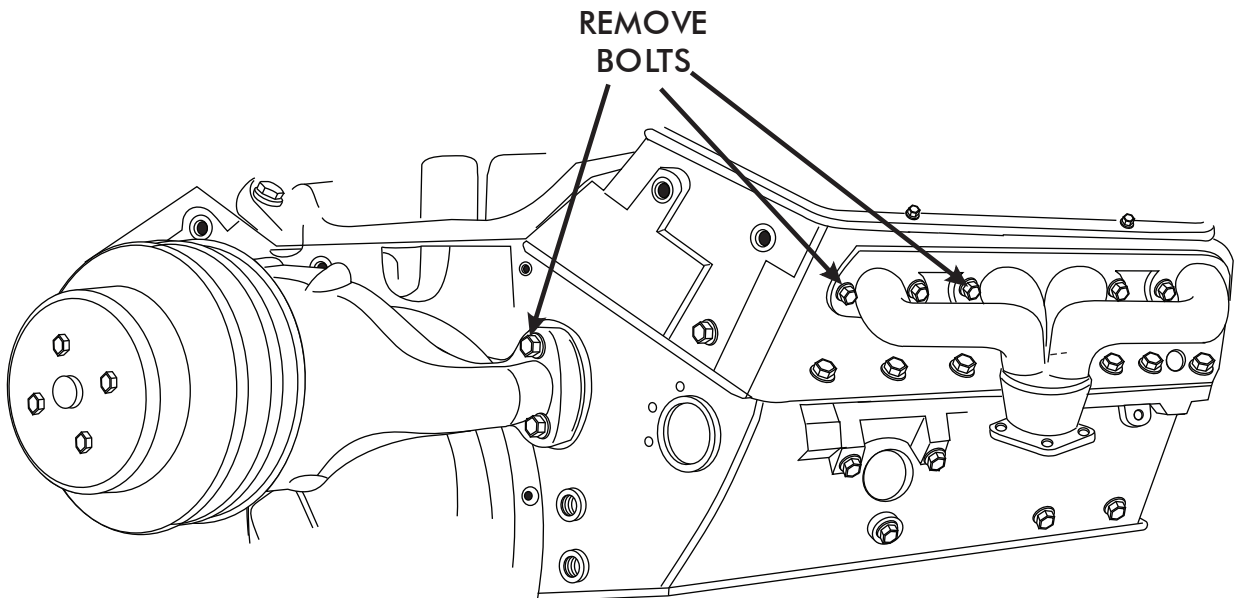


FIGURE 1

NOTE: BEFORE TIGHTENING BOLTS, ASSEMBLE ALL BRACKETS LOOSELY TO ENGINE. THIS WILL ENSURE PROPER ALIGNMENT OF ALL BRACKETS.

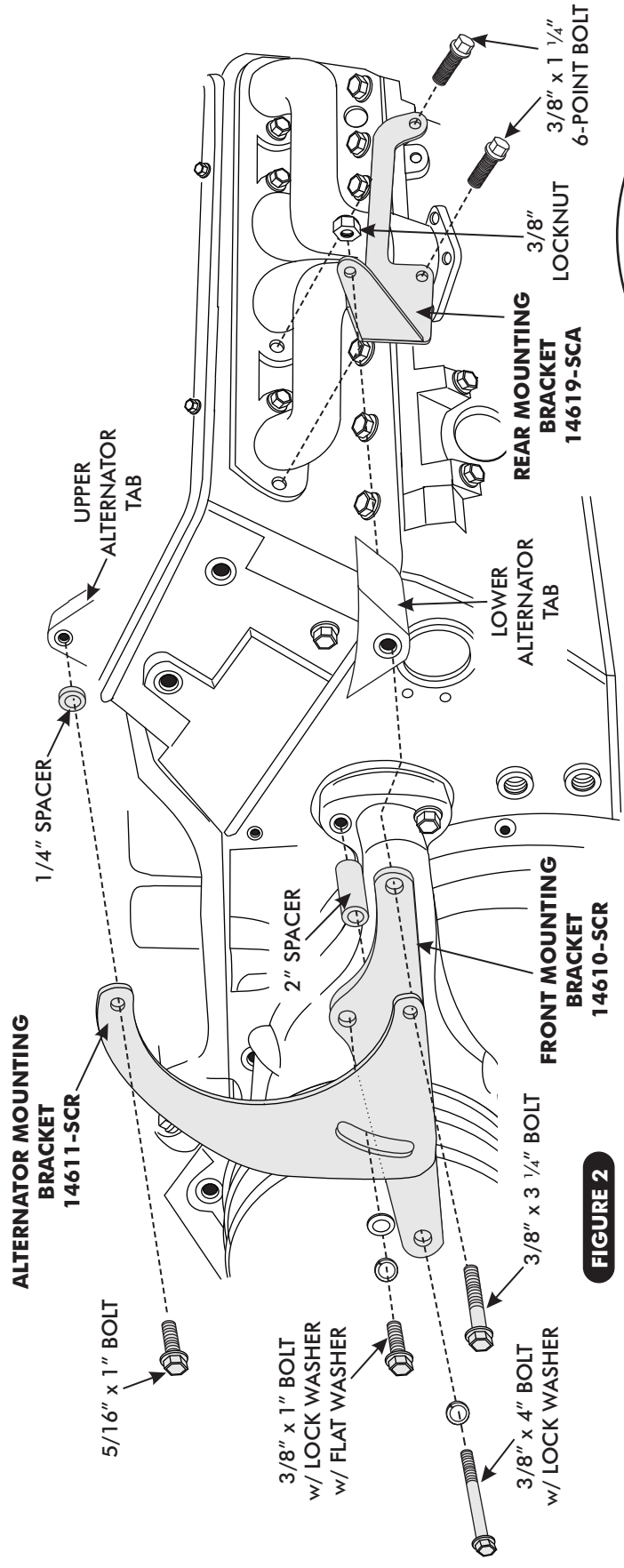


FIGURE 2

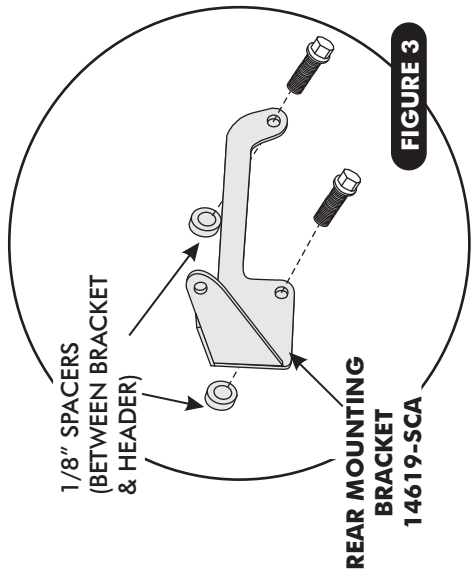
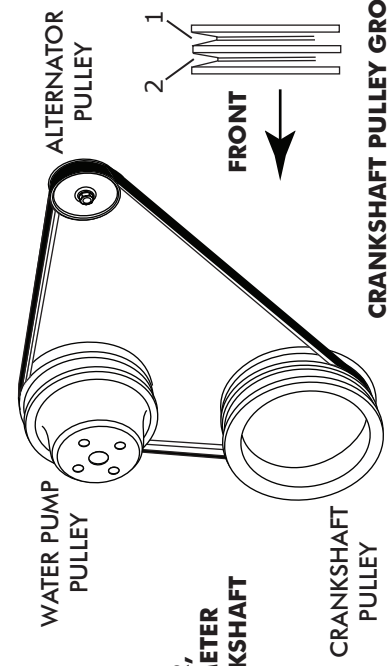


FIGURE 3



CRANKSHAFT PULLEY GROOVES:
 1. CRANKSHAFT, WATER PUMP & ALTERNATOR

WE RECOMMEND A BELT LENGTH OF 58 TO 59 INCHES. HOWEVER, THIS CAN VARY WITH THE DIAMETER OF YOUR WATER PUMP & CRANKSHAFT PULLEY.



www.vintageair.com

**SMALL BLOCK CHEVY S/P ALTERNATOR BRACKET
DRIVER'S SIDE WITH HEADERS
(15827-SCA) PACKING LIST**

No.	QTY.	PART No.	DESCRIPTION	
1.	1	14610-SCR	FRONT MOUNTING BRKT	_____
2.	1	14619-SCA	REAR MOUNTING BRKT w/ HEADERS	_____
3.	1	14611-SCR	ALTERNATOR MOUNTING BRKT	_____
4.	1	19105-HCA	HARDWARE KIT	_____

CHECKED BY: _____
 PACKED BY: _____
 DATE: _____

