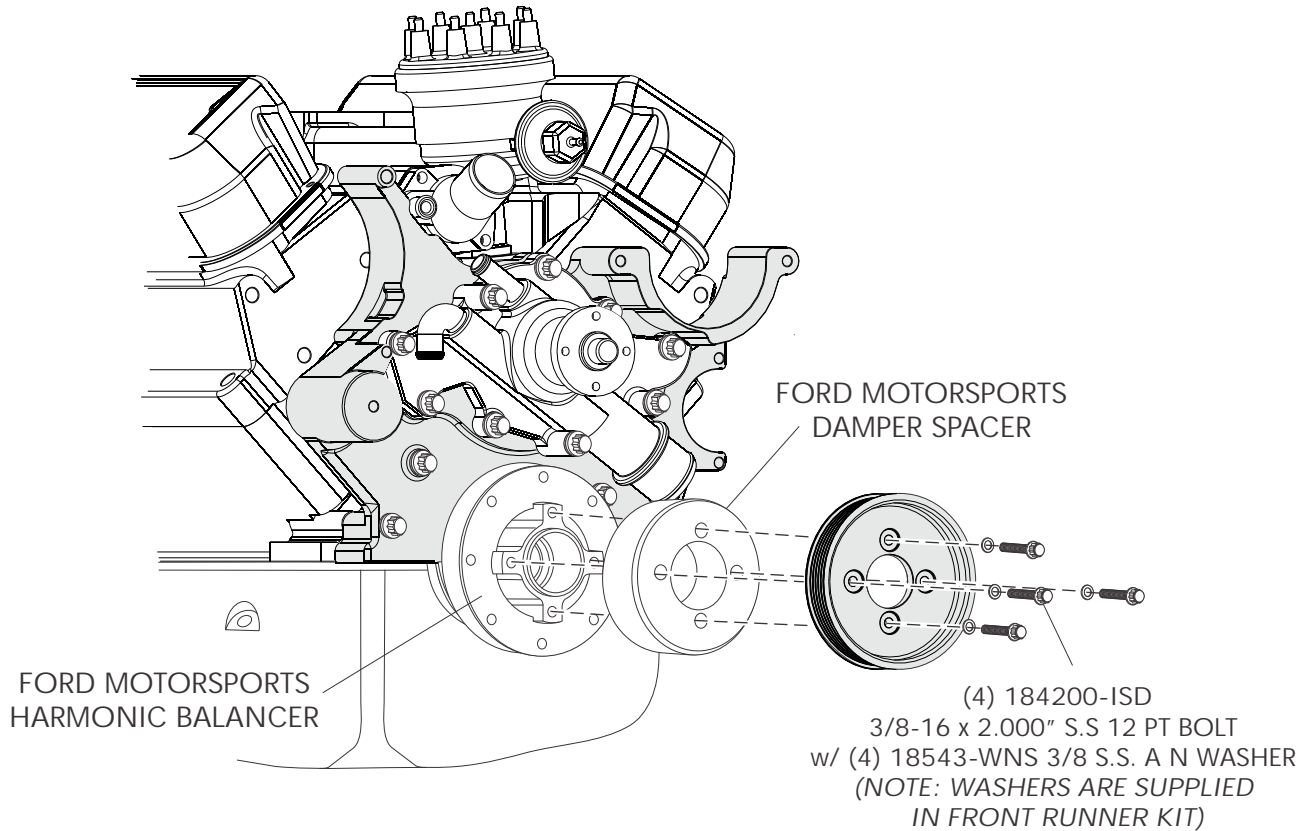


SMALL BLOCK FORD

SBF FRONT RUNNER w/ MTSPRT BALANCER HARDWARE KIT

FORD MOTORSPORTS HARMONIC BALANCER INSTALLATION

INSTALL HARMONIC BALANCER, DAMPER SPACER AND PULLEY. SECURE PULLEY AND SPACER USING (4) 3/8-16 x 2.000" S.S. 12 PT BOLTS.



SBF FRONT RUNNER w/ MTSPRT BALANCER HARDWARE KIT PACKING LIST

HARDWARE KIT
199002-HFA

No.	QTY.	PART No.	DESCRIPTION
1.	4	184200-ISD	3/8-16 x 2.000 S.S 12 PT BOLT
2.	1	730000-CFR	FORD MOTORSPORTS DAMPER SPACER

CHECKED BY: _____
 PACKED BY: _____
 DATE: _____

