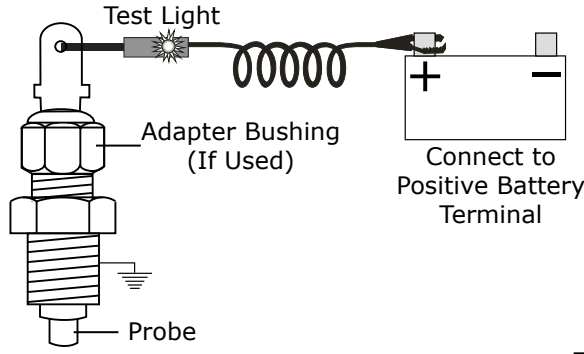




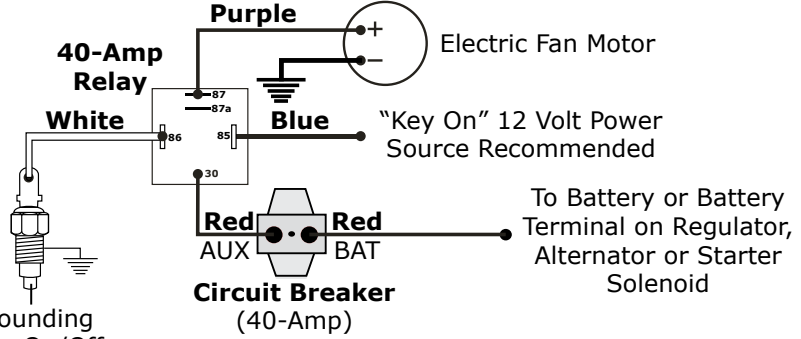
www.vintageair.com

# 190° Temperature Switch with Heavy-Duty Wiring Kit (241900)

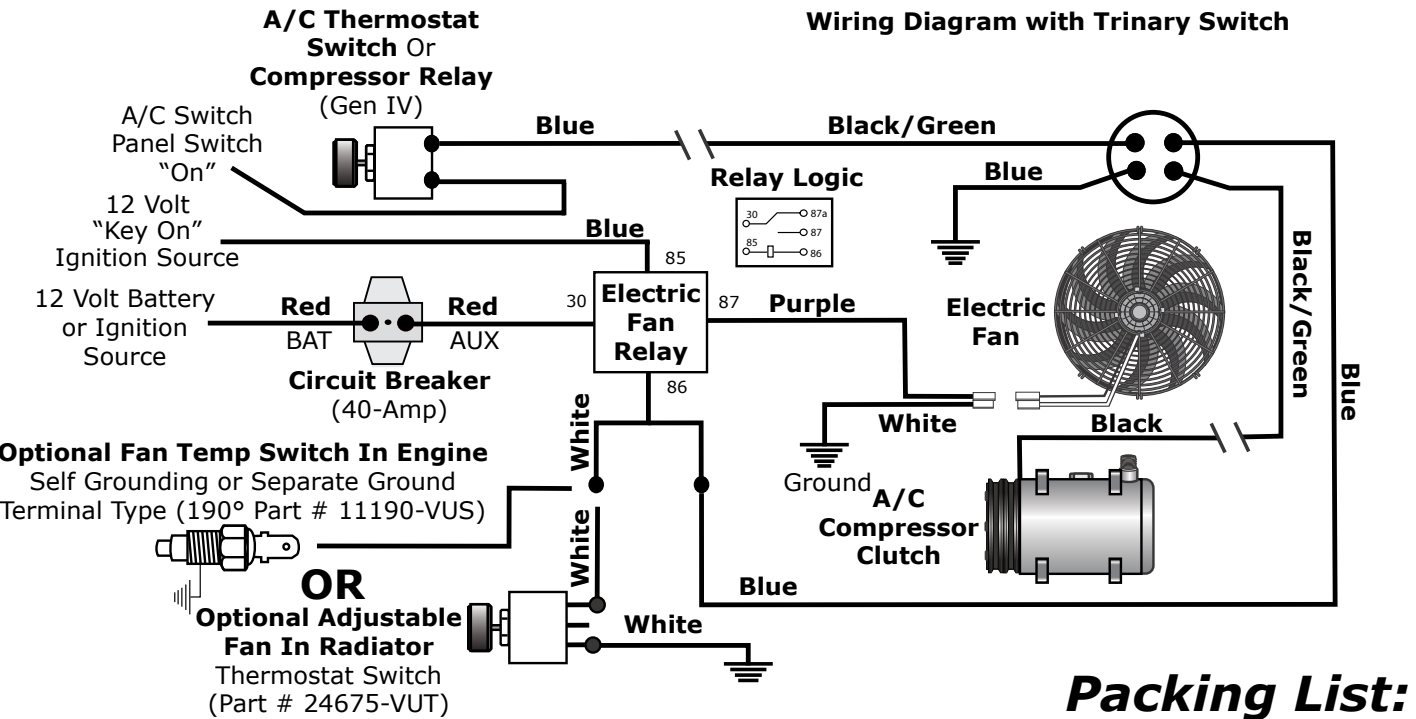
**NOTE:** This is a grounding-type fan temperature switch. Do not use Teflon tape on the threads, as it will prevent proper grounding. After installation, to ensure that the switch body is grounded, connect a 12-volt test light between the temperature switch and the positive battery terminal (See Test Procedure, below). The test light should not illuminate at temperatures <190°, indicating that the switch is open. At temperatures ≥190°, the test light should illuminate, indicating that the switch is closed. The switch works best installed in the intake manifold, thermostat housing, radiator or cylinder head. However, the switch may be installed in any 1/4" pipe or larger threaded hole in the cooling system, though the probe must project well into the engine coolant.



**Test Procedure**



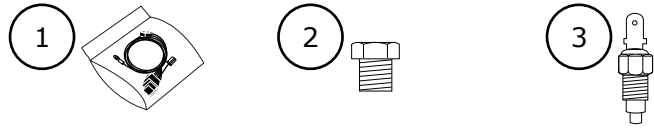
**Wiring Diagram without Trinary Switch**



**Wiring Diagram with Trinary Switch**

## Packing List:

No.	Qty.	Part No.	Description
1.	1	23102-VUW	Wiring Kit, Electric Fan, Heavy-Duty
2.	1	34303-VUG	Adapter Bushing, 3/8" x 1/2"
3.	1	11190-VUS	Temperature Switch, 190°



Checked By: \_\_\_\_\_  
Packed By: \_\_\_\_\_  
Date: \_\_\_\_\_