


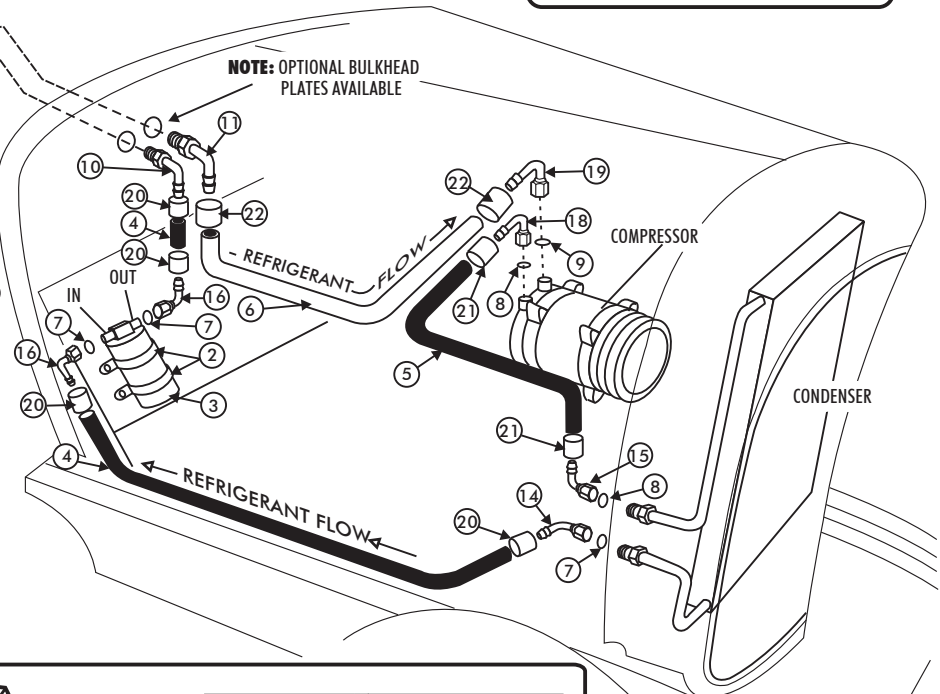
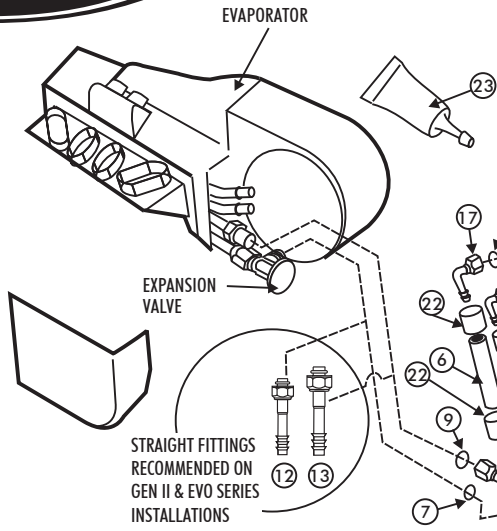


HOSE ROUTING ILLUSTRATION WITH STANDARD DRIER (31300-VUD)

**IMPORTANT NOTICE
PLEASE READ** 

THIS HOSE KIT CONTAINS
CRIMP FERRULE FITTINGS.
FITTINGS MUST BE CRIMPED
WITH BARBED CRIMPING TOOL.

**90° & STRAIGHT EVAPORATOR
FITTINGS INCLUDED IN
VINTAGE AIR HOSE KITS.**



No.	PART No.	DESCRIPTION	QTY.
1.	07113-VUB	DRIER CLAMP	2
2.	07321-VUC	DRIER	1
3.	18247-VUB	#10 x 1/2" HEX SHEET METAL SCREW	1
4.	31854-VUD	#6 A/C HOSE	6'
5.	31855-VUD	#8 A/C HOSE	4'
6.	31856-VUD	#10 A/C HOSE	5'
7.	33857-VUF	#6 O-RING	5
8.	33858-VUF	#8 O-RING	2
9.	33859-VUF	#10 O-RING	3
10.	34231-VUG	#6 BULKHEAD FTG 90° M O-RING	1
11.	34233-VUG	#10 BULKHEAD FTG 90° M O-RING	1
12.	34411-VUG	#6 STRAIGHT FTG FM O-RING	1
13.	34413-VUG	#10 STRAIGHT FTG FM O-RING	1
14.	34421-VUG	#6 FTG 45° FM O-RING	2
15.	34422-VUG	#8 FTG 45° FM O-RING	1
16.	34431-VUG	#6 FTG 90° FM O-RING	3
17.	34433-VUG	#10 FTG 90° FM O-RING	2
18.	34442-VUG	#8 FTG 135° FM O-RING	1
19.	34443-VUG	#10 FTG 135° FM O-RING	1
20.	35453-VUG	#6 HOSE FERRULES	6
21.	35455-VUG	#8 HOSE FERRULES	2
22.	35456-VUG	#10 HOSE FERRULES	4
23.	41117-VUP	REFRIGERANT OIL	1

