

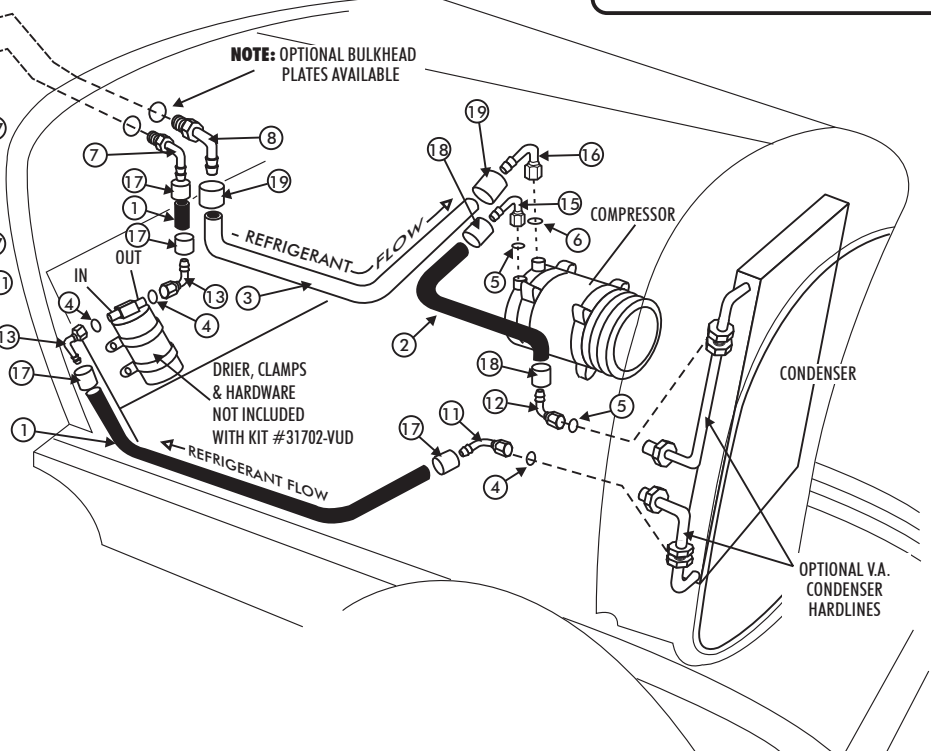
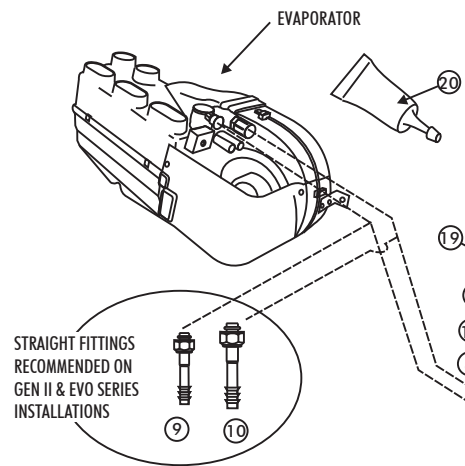


# HOSE ROUTING ILLUSTRATION WITHOUT DRIER (31702-VUD)

**IMPORTANT NOTICE  
PLEASE READ**

**THIS HOSE KIT CONTAINS  
CRIMP FERRULE FITTINGS.  
FITTINGS MUST BE CRIMPED  
WITH BARBED CRIMPING TOOL.**

**90° & STRAIGHT EVAPORATOR  
FITTINGS INCLUDED IN  
VINTAGE AIR HOSE KITS.**



No.	PART No.	DESCRIPTION	QTY.
1.	31854-VUD	#6 A/C HOSE	6'
2.	31855-VUD	#8 A/C HOSE	4'
3.	31856-VUD	#10 A/C HOSE	5'
4.	33857-VUF	#6 O-RING	5
5.	33858-VUF	#8 O-RING	2
6.	33859-VUF	#10 O-RING	3
7.	34231-VUG	#6 BULKHEAD FTG 90° M O-RING	1
8.	34233-VUG	#10 BULKHEAD FTG 90° M O-RING	1
9.	34411-VUG	#6 STRAIGHT FTG FM O-RING	1
10.	34413-VUG	#10 STRAIGHT FTG FM O-RING	1
11.	34421-VUG	#6 FTG 45° FM O-RING	2
12.	34422-VUG	#8 FTG 45° FM O-RING	1
13.	34431-VUG	#6 FTG 90° FM O-RING	3
14.	34433-VUG	#10 FTG 90° FM O-RING	2
15.	35440-VUG	#8 FTG 135° FM O-RING	1
16.	35442-VUG	#10 FTG 135° FM O-RING	1
17.	35453-VUG	#6 HOSE FERRULES	6
18.	35455-VUG	#8 HOSE FERRULES	2
19.	35456-VUG	#10 HOSE FERRULES	4
20.	41117-VUP	REFRIGERANT OIL TUBE	1

