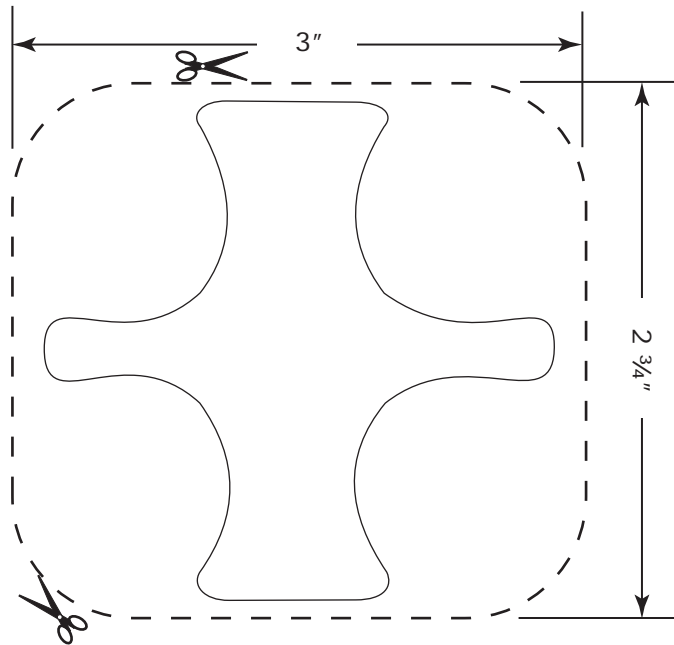
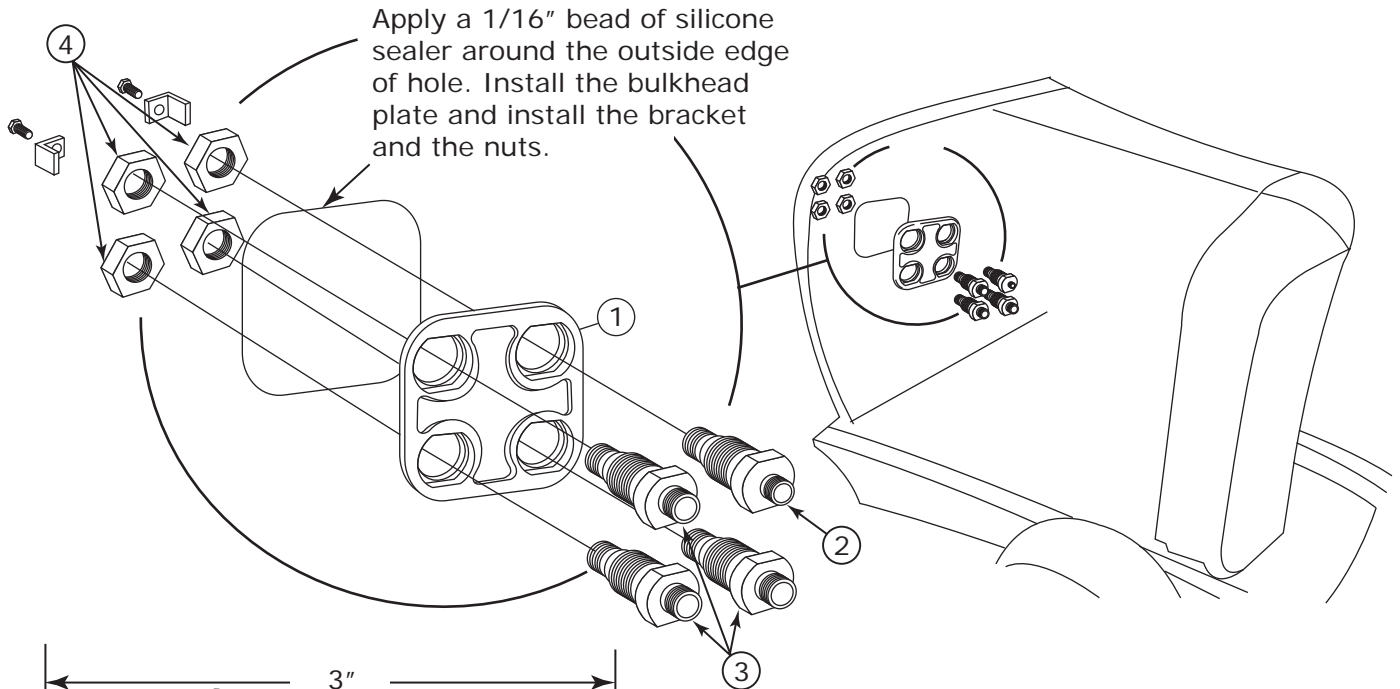


Installation Instructions: 4-Way Bulkhead, #8 & #10 A/C & Heat (34017-VUQ)



Cut the template on the dotted lines and tape into position. Trace around the template and cut out the area.

NOTE: Do not exceed the dimensions given.

Packing List:

No.	Qty.	Part No.	Description
1.	1	34004-VUQ	Square Bulkhead Plate, 4-Way
2.	1	35332-VUQ	Bulkhead Fitting, #8
3.	3	35333-VUQ	Bulkhead Fitting, #10
4.	4	186079	Jam Nut, 7/8-14

Checked By: _____
Packed By: _____
Date: _____