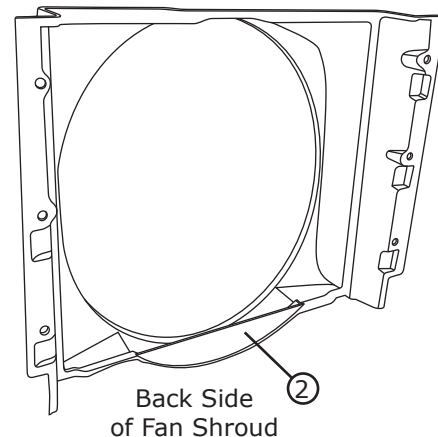
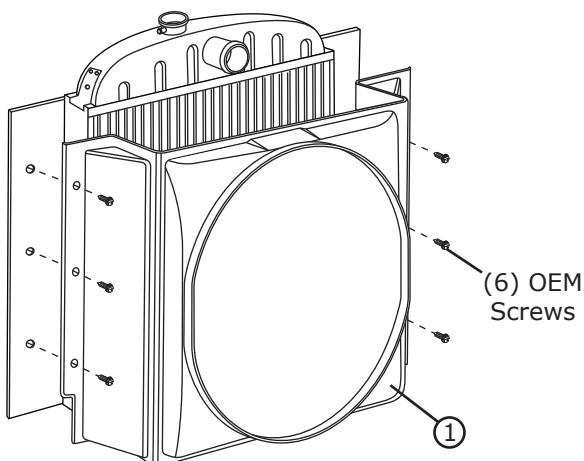




1955-59 Chevrolet Pickup 6 Cylinder Core/V8 Engine Fan Shroud Assembly

NOTE: Fan location often varies due to aftermarket modifications to engine mounts, suspension configuration, etc. The fan opening in this shroud should be matched to your specific vehicle.

1. Drain radiator, remove hoses and fan blade.
2. Prior to installing fan shroud, find the center alignment of the water pump shaft and radiator. To do this, measure down from the bottom edge of the top radiator tank to the center of the water pump shaft. Then measure from the side of the radiator to the center of the water pump shaft. Record your measurements.
3. Remove fan and radiator from vehicle. Place radiator on a workbench.
4. Place fan shroud on radiator. Using (6) OEM bolts, attach fan shroud to radiator as shown below.
5. Using the measurements from Step 2, locate and mark the center point of the fan on the shroud.
6. After marking center location on shroud, place radiator/shroud assembly back into vehicle to confirm center location alignment with center of water pump shaft. Adjust as necessary, and remove assembly from vehicle.
7. After confirming the center of the fan shroud, remove shroud from radiator and measure the diameter of the fan. A shroud opening 1" larger than the diameter of the fan is recommended.
8. Using a protractor or circle template, scribe a circle onto the fan shroud.
9. Using a jigsaw, cut along scribed line to make a hole in the shroud for the fan. File or sand edges of opening to desired smoothness.
10. Install shroud onto radiator.
11. Install radiator and fan.
12. Ensure there is a minimum 1/2" clearance along the entire circumference between the fan blade and the opening in the shroud. Modify as necessary.
13. Prior to starting engine, check fan location relative to shroud. The fan should be installed 1/3 of the way inside the shroud. If it is not, use fan spacers to set depth. **NOTE: Improper fan location will result in poor airflow, which will in turn result in higher A/C and engine temperatures. Never install the fan completely inside or outside of shroud.**
14. Install hoses and fill radiator with a 50/50 mixture of antifreeze and distilled water.
15. Start engine and check for proper operation.



Packing List: (370050)

No.	Qty.	Part No.	Description	
1.	1	370049	55-59 Chevrolet Pickup Fan Shroud 6 Cylinder Core/V8 Raw	_____
2.	1	370048	55-59 Chevrolet Pickup Fan Shroud 6 Cylinder Core/V8 End Cap	_____

Checked By: _____

Packed By: _____

Date: _____