



www.vintageair.com

Fan Shroud Installation: 1961-65 Ford F-100 with V8 Engine

1. Place the fan shroud bracket onto the inside of the fan shroud as shown in Photo 1, below, using clamps or vise grips to hold it in place. Align the bracket with the contours of the shroud as shown. **NOTE: The bracket installs underneath the top of the fan shroud. When installed, the shorter end of the bracket will face toward the passenger side of the vehicle, while the longer end will face toward the driver side (See Figure 1, below).**
2. Drill (12) 3/16" holes into the fan shroud using the fan shroud bracket as a template (See Figure 1, below).
3. Install (12) 3/16" pop rivets to secure the bracket onto the fan shroud (See Photo 2, below).
4. To install the fan shroud assembly, remove the engine fan and (4) radiator bolts.
NOTE: Vintage Air recommends using studs to hold the radiator in place during fan shroud assembly installation.
5. Place the fan shroud into position in the engine compartment, bracket side up. Align the holes on the fan shroud, radiator, and core support. Secure the shroud and radiator to the core support using the (4) OEM bolts (See Photo 3, below). **NOTE: When assembled, the fan must be installed 1/3 of the way inside the shroud. If the blade is too far away from the shroud, add a fan spacer between the blade and pulley to push the fan into the shroud. Improper fan location will result in poor airflow, which will in turn result in higher A/C and engine temperatures. Never install the fan completely inside or outside of the shroud. Also check for clearance between the fan blade and drive pulleys.**

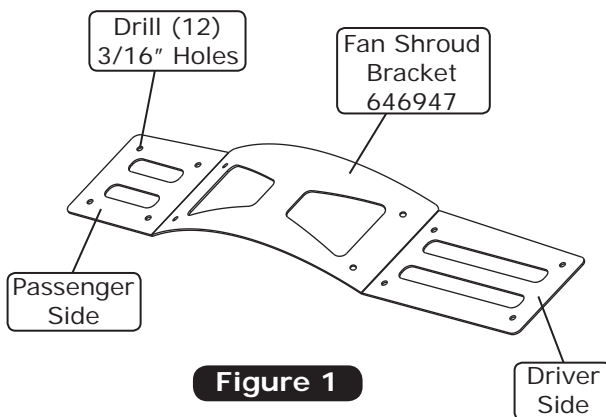


Figure 1

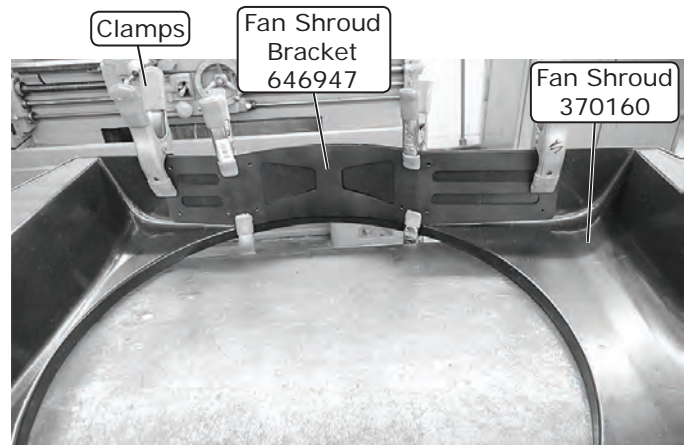


Photo 1

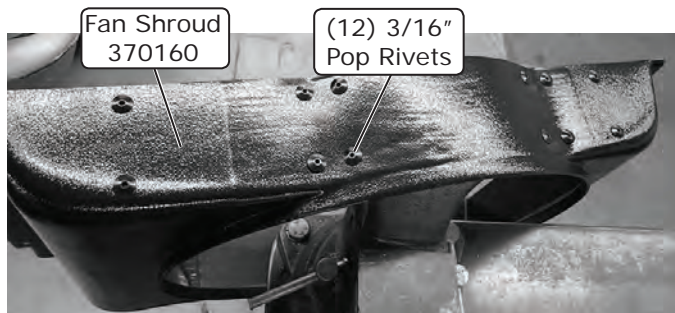


Photo 2

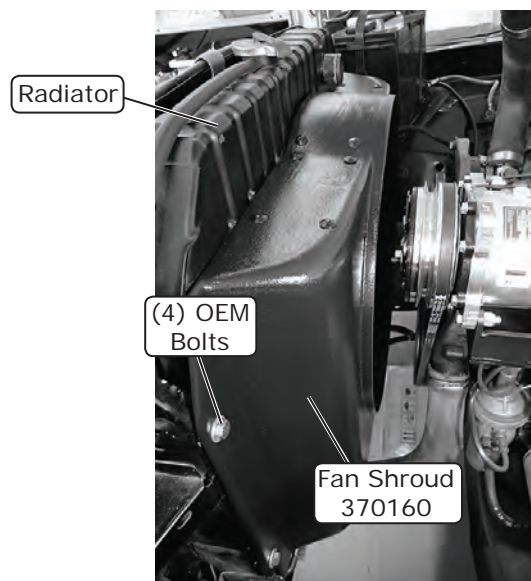


Photo 3

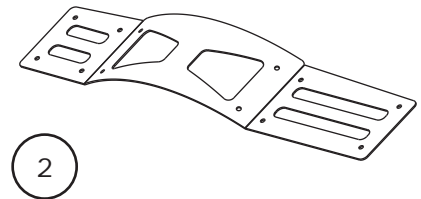
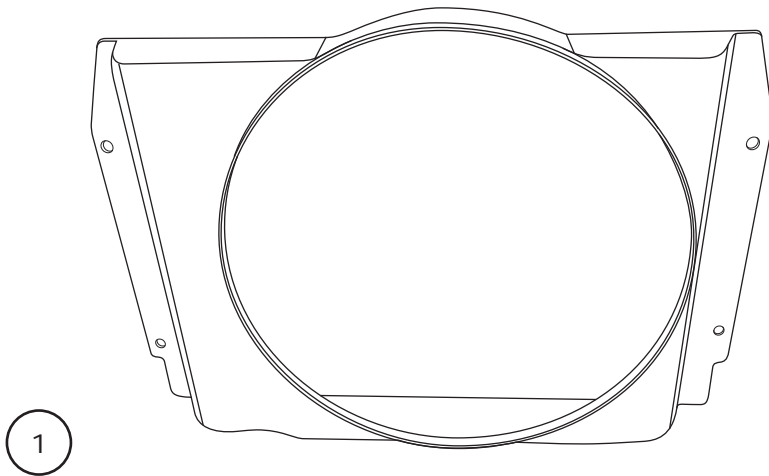


www.vintageair.com

Packing List: (370164)

No.	Qty.	Part No.	Description
1.	1	370160	Fan Shroud
2.	1	646947	Bracket, Fan Shroud
3.	12	187183	Pop Rivet, 3/16"

Checked By: _____
Packed By: _____
Date: _____



**NOTE: Images may not depict actual parts and quantities.
Refer to packing list for actual parts and quantities.**