



www.vintageair.com

Fan Shroud Installation: 1961-64 Ford F-100 with 6-Cylinder Engine

1. Place the fan shroud bracket onto the inside of the fan shroud as shown in Photos 1 & 2, and Figure 1, below, using clamps or vise grips to hold it in place. Align the bracket with the contours of the shroud as shown.
 2. Drill (3) 3/16" holes into the fan shroud using the fan shroud bracket as a template (See Photo 2, below).
 3. Install (3) 3/16" pop rivets to secure the bracket onto the fan shroud (See Photo 3, below).
 4. Remove the radiator by removing (4) bolts.
 5. Place the fan shroud assembly in front of the engine, bracket side up, with the lower lip of the shroud beneath the horseshoe engine mount (See Photo 4, below).
 6. Place the radiator into position in the engine compartment. Align the holes on the fan shroud, radiator, and core support. Secure the shroud and radiator to the core support using the (4) OEM bolts (See Photo 5, below).
- NOTE: When assembled, the fan must be installed 1/3 of the way inside the shroud. If the blade is too far away from the shroud, add a fan spacer between the blade and pulley to push the fan into the shroud. Improper fan location will result in poor airflow, which will in turn result in higher A/C and engine temperatures. Never install the fan completely inside or outside of the shroud. Also check for clearance between the fan blade and drive pulleys.**

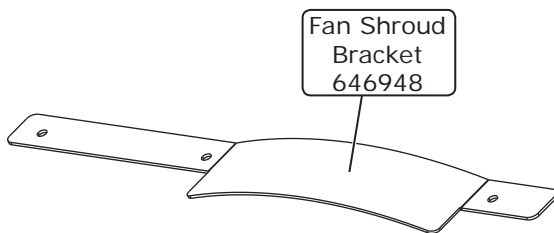


Figure 1

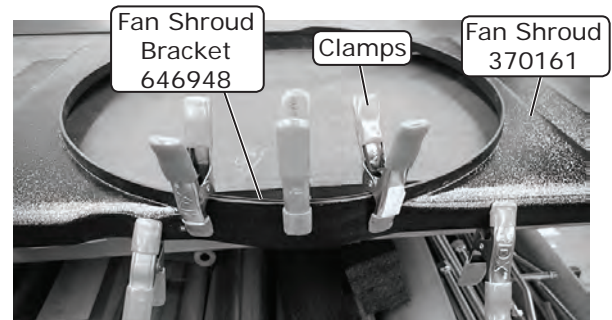


Photo 1

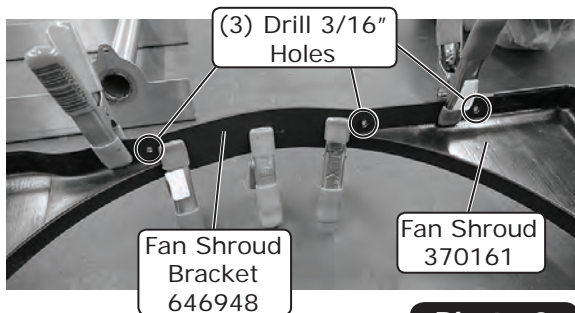


Photo 2

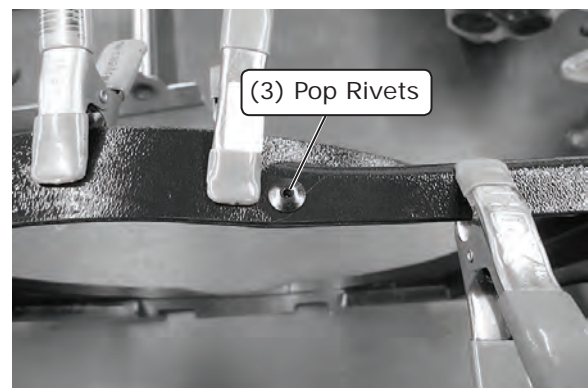


Photo 3

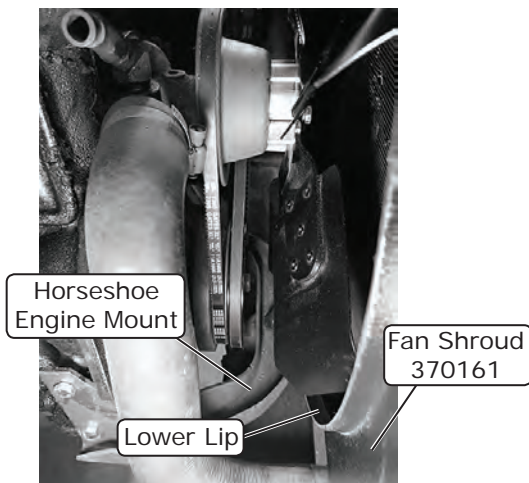


Photo 4

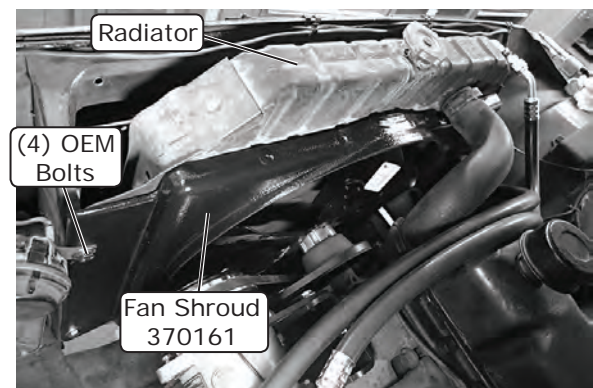


Photo 5

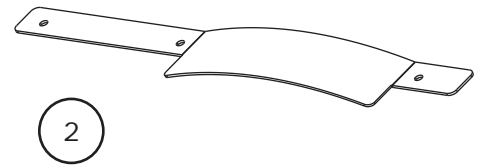
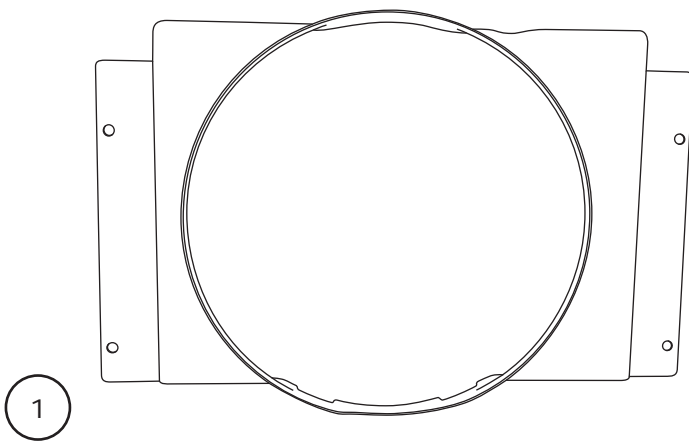


www.vintageair.com

Packing List: (370165)

No.	Qty.	Part No.	Description
1.	1	370161	Fan Shroud
2.	1	646948	Bracket, Fan Shroud
3.	3	187183	Pop Rivet, 3/16"

Checked By: _____
 Packed By: _____
 Date: _____



**NOTE: Images may not depict actual parts and quantities.
 Refer to packing list for actual parts and quantities.**