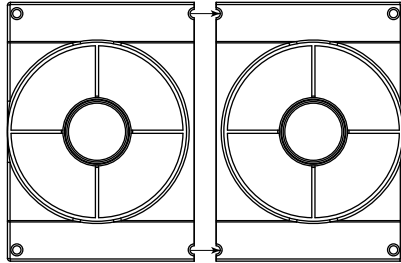


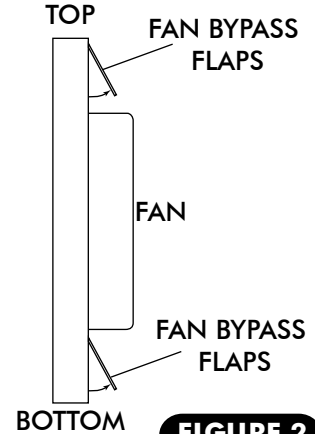


## TRI-FIVE FAN INSTALLATION

- PLACE FAN HOUSINGS MOTOR SIDE DOWN ON FLAT SURFACE.
  - ALIGN CENTER MOUNTING HOLE AS SHOWN IN FIGURE 1 BELOW.
  - ORIENTATE DRIVER AND PASSENGER SIDE FANS AS SHOWN IN FIGURE 2.
- NOTE: MAKE SURE FAN BYPASS FLAPS PIVOT AS SHOWN.**

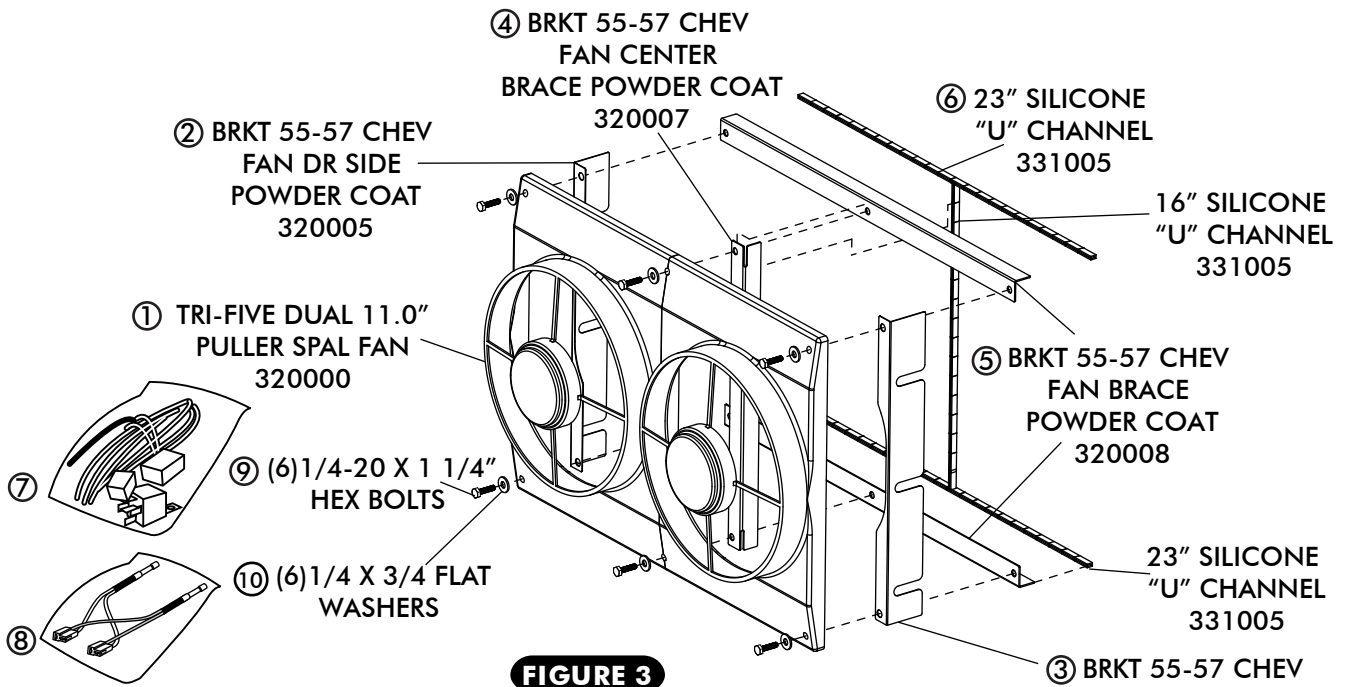


**FIGURE 1**



**FIGURE 2**

- INSTALL FAN BRACKETS AS SHOWN IN FIGURE 3.
- INSTALL (6) 1/4-20 BOLTS AND 1/4" WASHERS HAND TIGHT. **NOTE VINTAGE AIR RECOMMENDS THE USE OF LOCTITE ON BOLT THREADS.**
- CUT AND INSTALL "U" CHANNEL AS SHOWN IN FIGURE 3 BELOW.



**FIGURE 3**

NO. QTY. PART No. DESCRIPTION

NO.	QTY.	PART No.	DESCRIPTION
1.	1	320000	TRI-FIVE DUAL 11.0" PULLER SPAL FAN
2.	1	320005	BRKT 55-57 CHEV FAN DR SIDE POWDER COAT
3.	1	320006	BRKT 55-57 CHEV FAN PASS SIDE POWDER COAT
4.	1	320007	BRKT 55-57 CHEV FAN CENTER BRACE POWDER COAT
5.	2	320008	BRKT 55-57 CHEV FAN BRACE POWDER COAT
6.	62"	331005	SILICONE "U" CHANNEL
7.	1	23102-VUW	ELECTRIC FAN WIRING HARNESS 70 AMP
8.	1	231360	WIRING ASSY INTERFACE TWIN FAN
9.	6	182899	1/4-20 X 1/1/4" HEX BOLT
10.	6	18125-VUB	1/4 X 3/4 FLAT WASHERS

③ BRKT 55-57 CHEV  
FAN PASS SIDE  
POWDER COAT  
320006

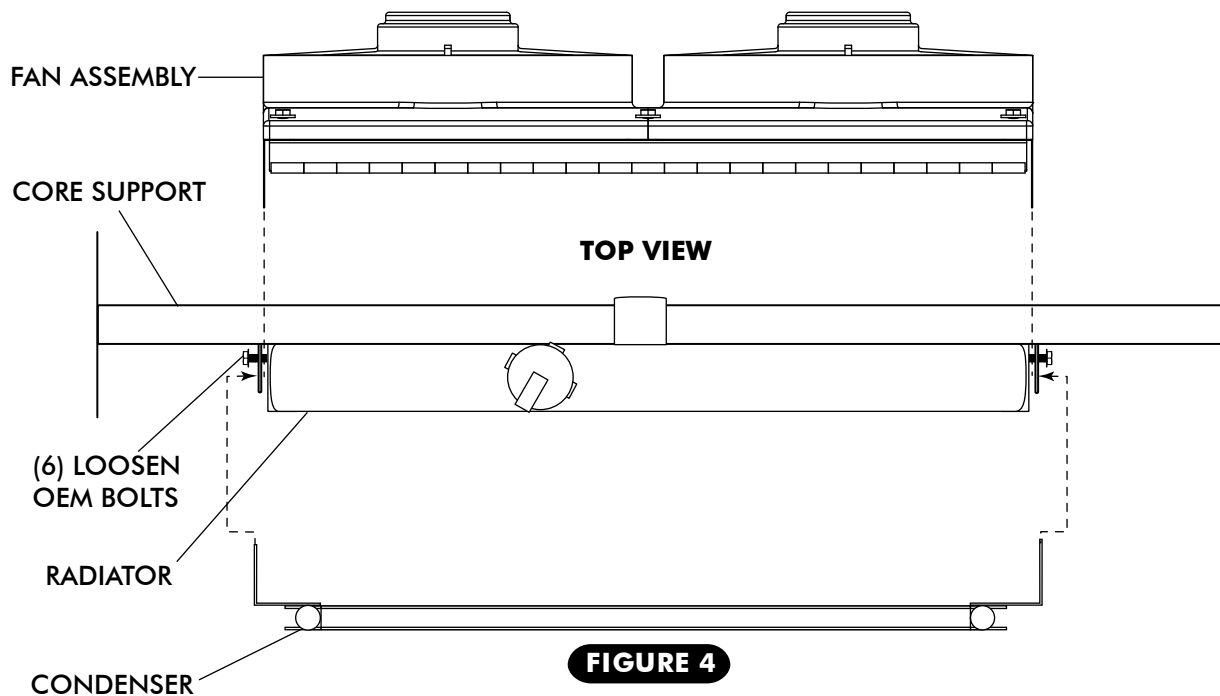
TRI-FIVE CHEVY  
DUAL FAN  
371255

CHECKED BY: \_\_\_\_\_  
PACKED BY: \_\_\_\_\_  
DATE: \_\_\_\_\_



## TRI-FIVE FAN INSTALLATION CONT.

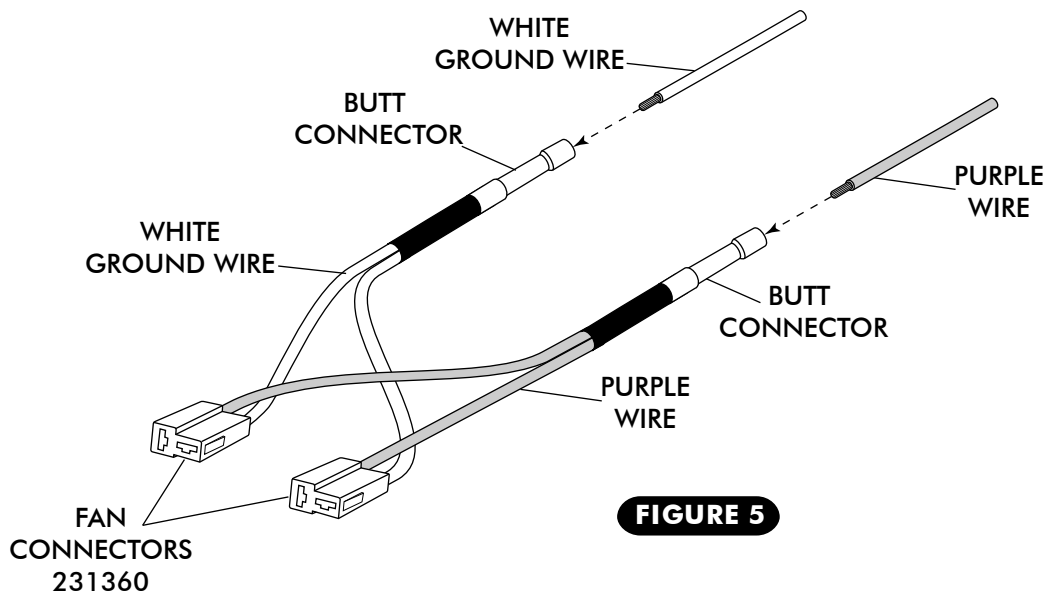
- WITH RADIATOR CORE SUPPORT MOUNTING BOLTS LOOSENED, INSTALL FAN/ BRACKET ASM AS SHOWN IN FIGURE 4 BELOW.



**FIGURE 4**

## TRI-FIVE DUAL FAN WIRING INSTALLATION

- INSTALL THE WHITE GROUND WIRE AND PURPLE WIRE INTO BUTT CONNECTORS AS SHOWN IN FIGURE 5 BELOW. CRIMP BUTT CONNECTOR WITH PROPER CRIMP TOOL. BUTT CONNECTORS ARE HEAT SHRINK TYPE. ONCE CRIMPED, SHRINK OVER WIRES w/ HEAT GUN.
- INSTALL FAN CONNECTORS ON FANS.
- WIRE ACCORDING TO WIRING DIAGRAM INCLUDED WITH WIRING KIT (23102-VUW).



**FIGURE 5**