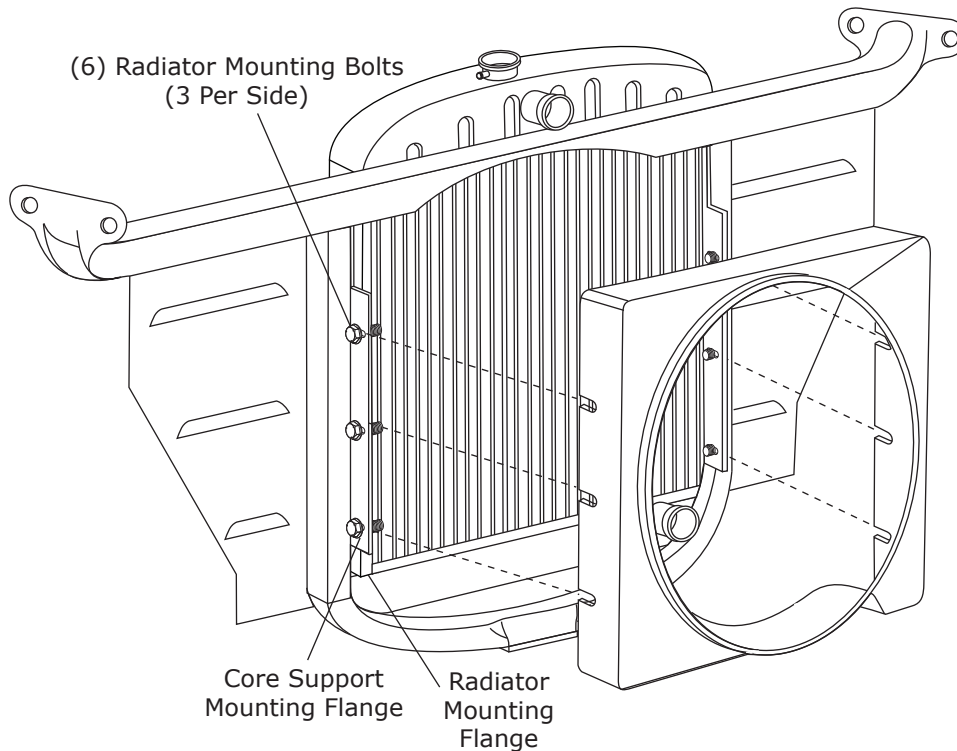




Installation Instructions: Fan Shroud Kit (375555-ACR) 1955-57 Chevrolet Passenger Cars with V8 Engine, V8 Core Support, 6-Cylinder Radiator Position

1. Drain radiator and remove upper radiator hose.
2. Remove fan belt, fan and pulley.
3. Loosen the (6) radiator mounting bolts (3 per side) as shown below.
4. Install fan shroud, and let it rest against engine.
5. Reinstall pulley, fan and fan belt.
6. Aligning the notches in the fan shroud with the mounting bolts, place the shroud between the radiator mounting flange and the core support mounting flange, as shown below.
7. Secure fan shroud by tightening the (6) radiator mounting bolts (3 per side).
8. Prior to starting engine, check fan location relative to shroud. The fan should be installed 1/3 of the way inside the shroud. If it is not, use fan spacers to set depth. **NOTE: Improper fan location will result in poor airflow, which will in turn result in higher A/C and engine temperatures. Never install the fan completely inside or outside of shroud.**
9. Install hoses and fill radiator with a 50/50 mixture of antifreeze and distilled water.
10. Start engine and check for proper operation.



Packing List:

| No. | Qty. | Part No. | Description |
|-----|------|------------|-------------|
| 1. | 1 | 375555-ACR | Fan Shroud |

**NOTE: Images may not depict actual parts and quantities.
Refer to packing list for actual parts and quantities.**

Checked By: _____

Packed By: _____

Date: _____