



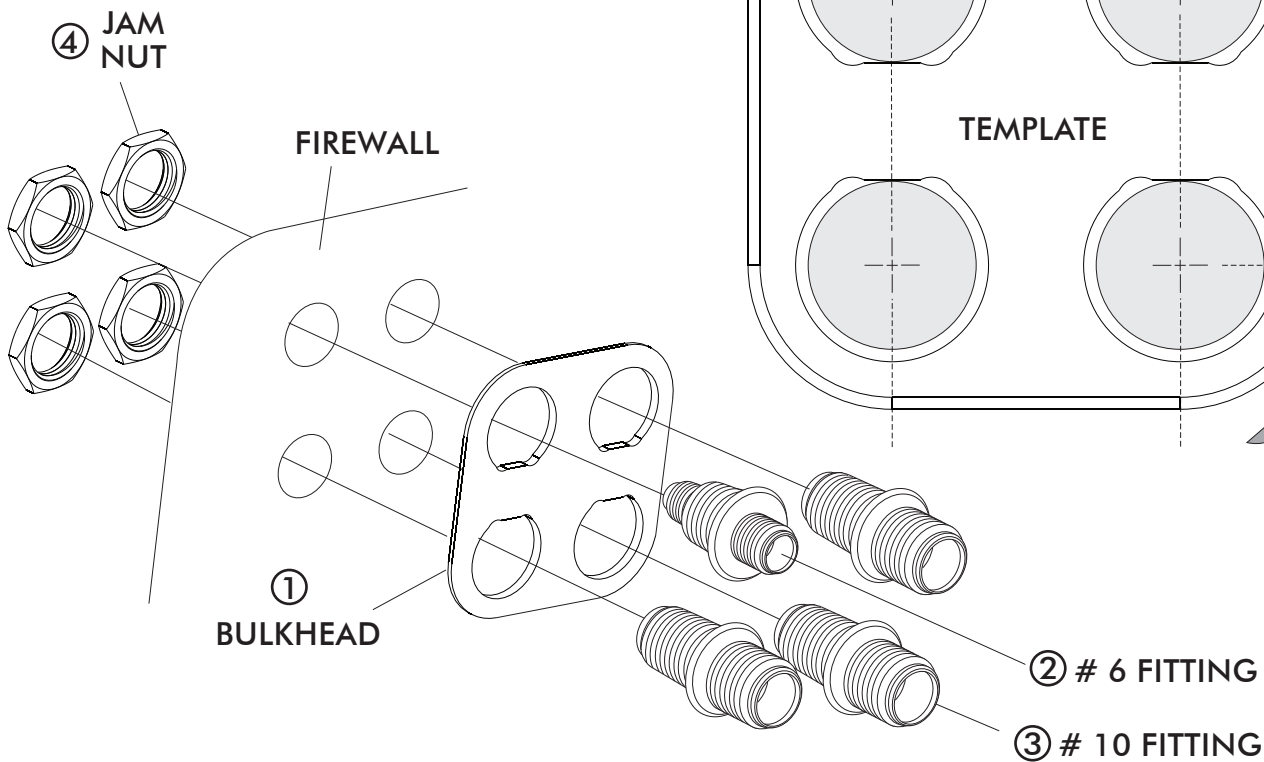
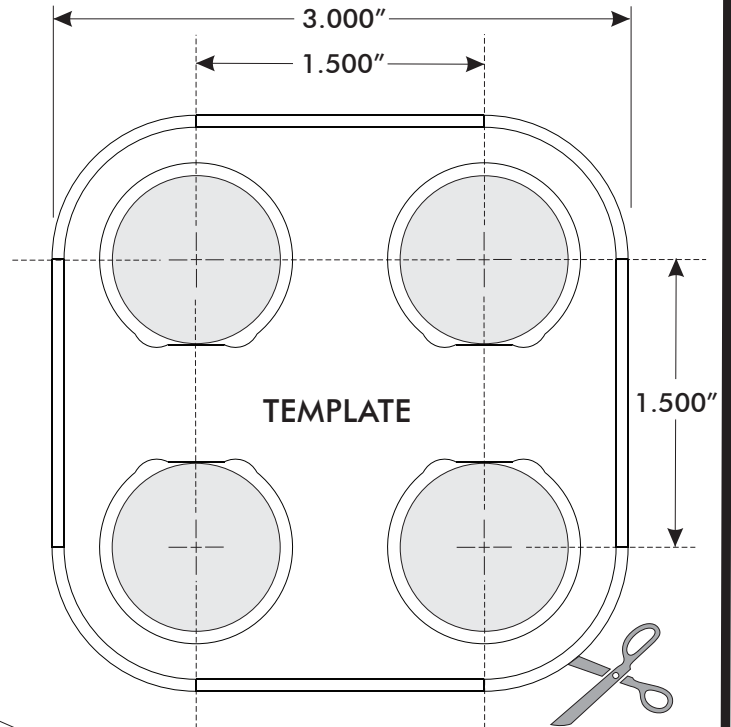
STREAMLINE BULKHEAD 4-WAY SQUARE

**384600-MBA
STREAMLINE BULKHEAD**

4-WAY SQUARE #6 - #10

- CUT OUT BULKHEAD TEMPLATE AND LOCATE WHERE YOU WOULD LIKE TO PLACE YOUR BULKHEAD.
- LEVEL AND TAPE BULKHEAD TEMPLATE INTO PLACE, USE A SMALL CENTER PUNCH AND MARK HOLES.
- DRILL 7/8" HOLES FOR BULKHEAD FITTINGS AND INSTALL BULKHEAD WITH FITTINGS AS SHOWN.

NOTE: FITTINGS MAY BE ARRANGED IN ANY CONFIGURATION.



STREAMLINE BULKHEAD
4-WAY SQUARE #6 - #10

384600-MBA

| No. | QTY. | PART NO. | DESCRIPTION | CHECK LIST |
|-----|------|------------|----------------------------|------------|
| 1. | 1 | 384300-MBQ | STRM 4 WAY SQUARE BKHD | _____ |
| 2. | 1 | 334006-VOR | STRM BKHD #6 MALE FITTING | _____ |
| 3. | 3 | 334010-VOR | STRM BKHD #10 MALE FITTING | _____ |
| 4. | 4 | 186078-NMR | 7/8-14 JAM NUT | _____ |

CHECKED BY: _____
 PACKED BY: _____
 DATE: _____