

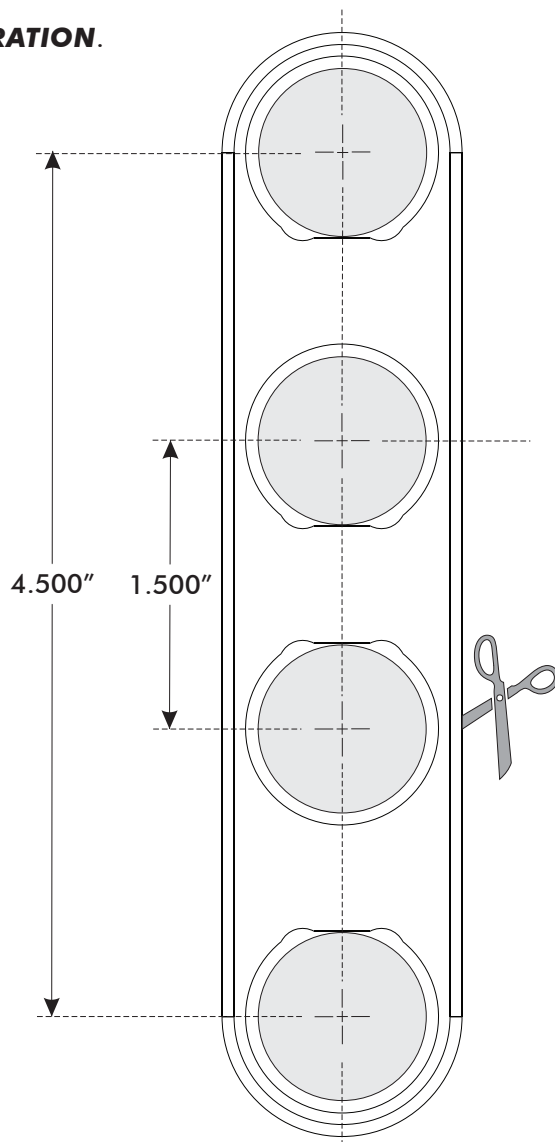
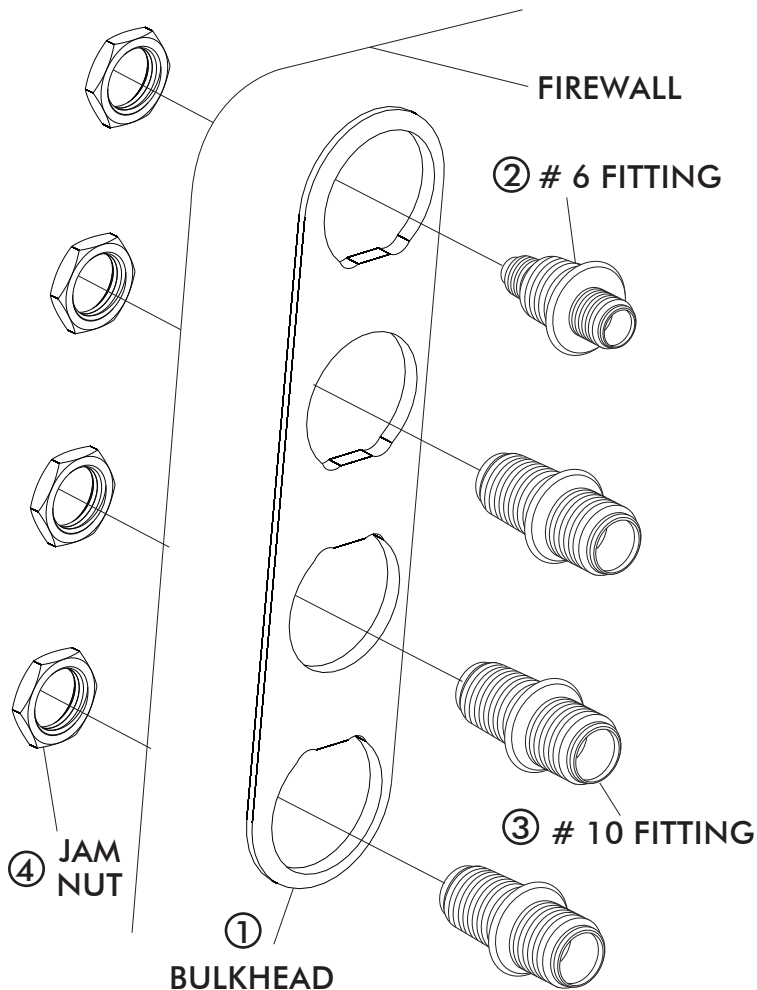


**STREAMLINE BULKHEAD 4-WAY INLINE**

**386600-MBA**  
**STREAMLINE BULKHEAD**  
 4-WAY INLINE #6 - #10

- CUT OUT BULKHEAD TEMPLATE AND LOCATE WHERE YOU WOULD LIKE TO PLACE YOUR BULKHEAD.
- LEVEL AND TAPE BULKHEAD TEMPLATE INTO PLACE, USE A SMALL CENTER PUNCH AND MARK HOLES.
- DRILL 7/8" HOLES FOR BULKHEAD FITTINGS AND INSTALL BULKHEAD WITH FITTINGS AS SHOWN.

**NOTE: FITTINGS MAY BE ARRANGED IN ANY CONFIGURATION.**



**STREAMLINE BULKHEAD**  
 4-WAY INLINE #6 - #10

**386600-MBA**

No.	QTY.	PART NO.	DESCRIPTION	CHECK LIST
1.	1	386300-MBQ	STRM 4 WAY INLINE BKHD	_____
2.	1	334006-VOR	STRM BKHD #6 MALE FITTING	_____
3.	3	334010-VOR	STRM BKHD #10 MALE FITTING	_____
4.	4	186078-NMR	7/8-14 JAM NUT	_____

CHECKED BY: \_\_\_\_\_  
 PACKED BY: \_\_\_\_\_  
 DATE: \_\_\_\_\_