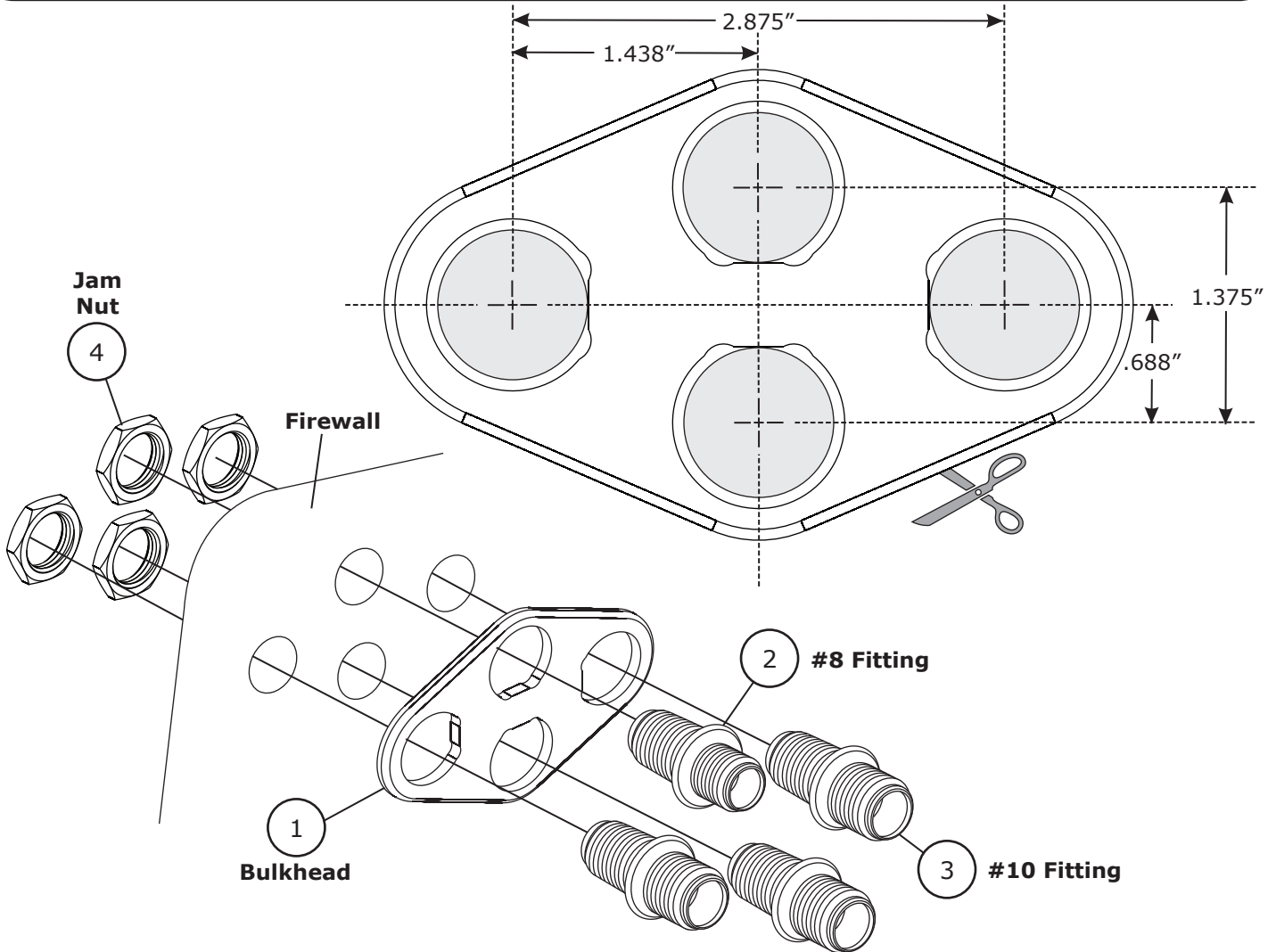




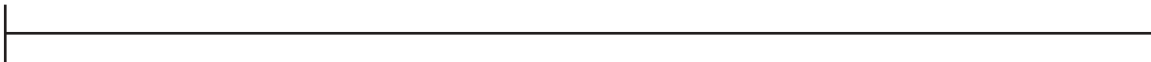
www.vintageair.com

Installation Instructions: 4-Way Diamond #8 - #10 Streamline Bulkhead (388800-MBA)

1. Cut out the bulkhead template and locate where you would like to place your bulkhead.
2. Level and tape the bulkhead template into place. Use a small center punch and mark holes.
3. Drill (4) 7/8" holes for the bulkhead fittings. Install the bulkhead with fittings as shown. **NOTE: Fittings may be arranged in any configuration.**



NOTE: Due to printing variances, measure the line below before using this template. If template is scaled properly, the line should measure 6 inches.



Packing List:

| No. | Qty. | Part No. | Description |
|-----|------|------------|-------------------------------|
| 1. | 1 | 388300-MBQ | Diamond Bulkhead Plate, 4-Way |
| 2. | 1 | 334008-VOR | Bulkhead Fitting, #8, Male |
| 3. | 3 | 334010-VOR | Bulkhead Fitting, #10, Male |
| 4. | 4 | 186079 | Jam Nut, 7/8-14 |

Checked By: _____
Packed By: _____
Date: _____