

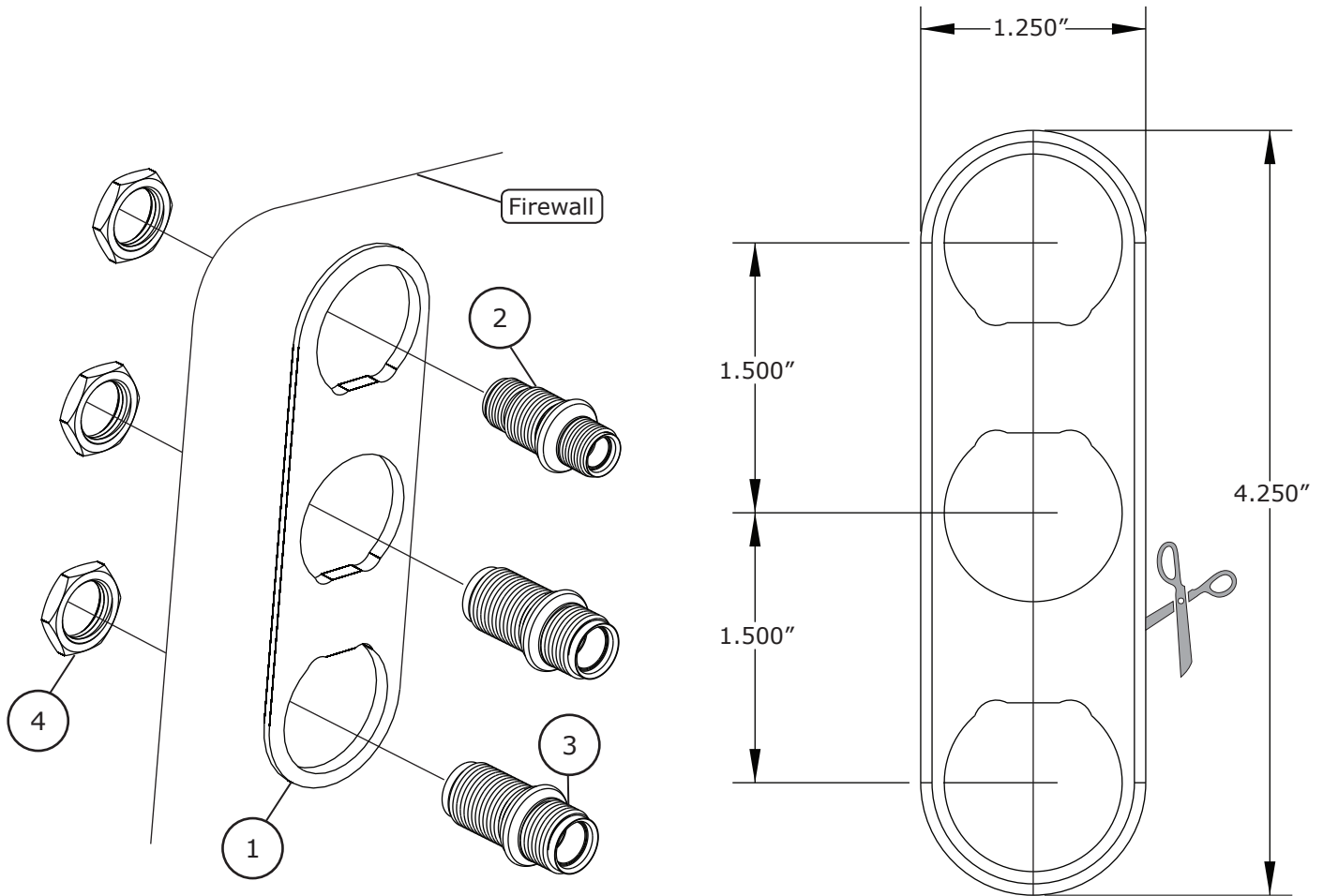


www.vintageair.com

Streamline Bulkhead 3-Way, Inline

#8 - #10 Black Anodized (389606)

1. Determine a suitable firewall location for the bulkhead, and cut out the bulkhead template.
 2. Level and tape the bulkhead template into place on the firewall.
 3. Using a small center punch, mark the center hole locations.
 4. Drill (3) 7/8" holes for the bulkhead fittings, and install the bulkhead plate and fittings as shown below.
- NOTE: The fittings may be arranged in any configuration.**



NOTE: Due to printing variances, measure the line below before using this template. If template is scaled properly, the line should measure 6 inches.



Packing List:

No.	Qty.	Part No.	Description
1.	1	383900	Bulkhead Plate, Streamline 3-Way Inline, Black
2.	1	389908	Fitting, #8 Streamline, Bulkhead, Black
3.	2	389910	Fitting, #10 Streamline, Bulkhead, Black
4.	3	186079	Jam Nut, 7/8-14

Checked By: _____
 Packed By: _____
 Date: _____