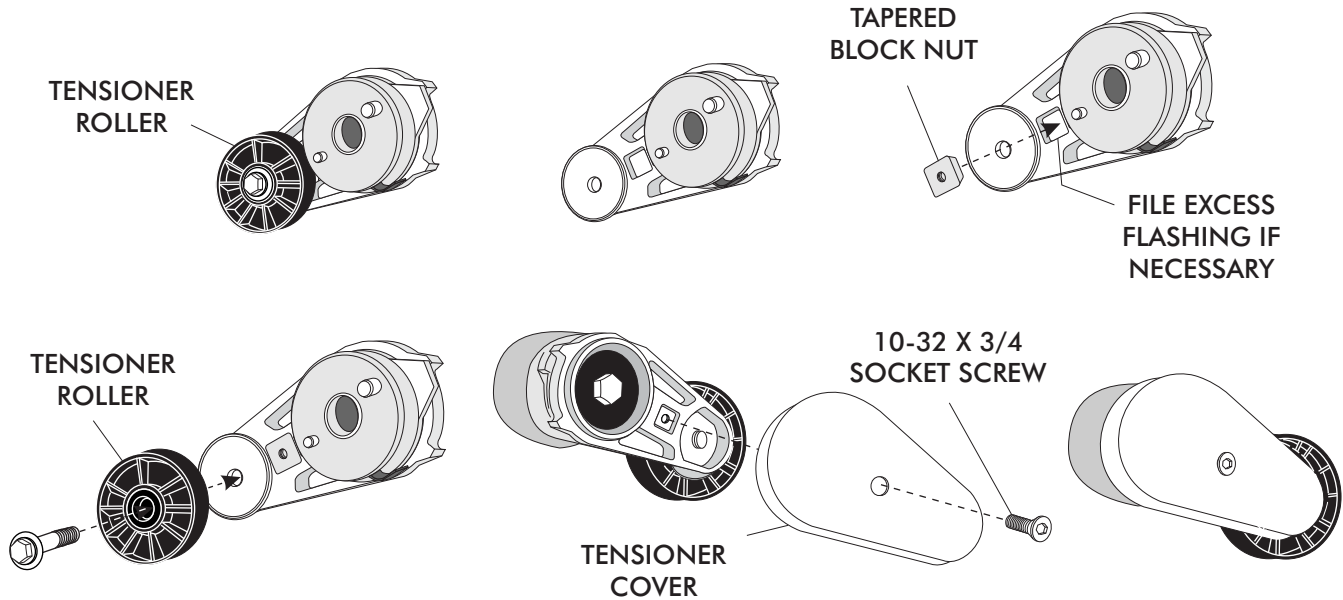




TENSIONER COVER STANDARD 39803-CUA

TENSIONER COVER INSTALLATION

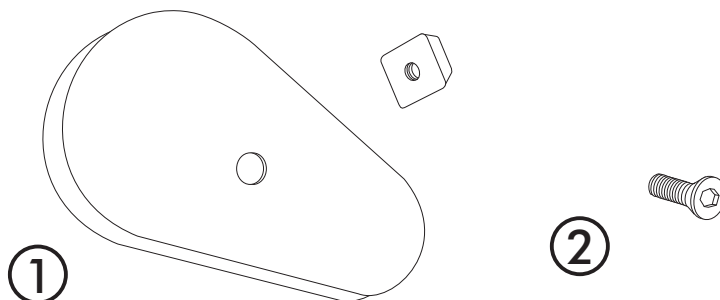
- REMOVE DRIVE BELT
- REMOVE TENSIONER ASSEMBLY FROM FRONT RUNNER DRIVE SYSTEM, THEN REMOVE TENSIONER ROLLER FROM TENSIONER ASSEMBLY
- INSTALL TAPERED BLOCK NUT INTO THE BACK SIDE OF TENSIONER. (LIGHTLY TAP INTO PLACE.)
NOTE: IT MAY BE NECESSARY TO USE A FILE AND REMOVE EXCESS METAL FLASHING AROUND SQUARE OPENING FOR THE TAPERED BLOCK NUT TO FIT PROPERLY.
- RE-INSTALL TENSIONER ROLLER TO TENSIONER, AND THEN RE-INSTALL TENSIONER ASSEMBLY TO THE FRONT RUNNER DRIVE ASSEMBLY.
- RE-INSTALL DRIVE BELT
- INSTALL TENSIONER COVER WITH 10-32 X 3/4 SOCKET SCREW.
NOTE: APPLY REMOVABLE LOC-TITE TO SCREW PRIOR TO INSTALLATION.



TENSIONER COVER PACKING LIST

TENSIONER COVER KIT
39803-CUA

No.	QTY.	PART No.	DESCRIPTION
1.	1	39800-CCR	TENSIONER COVER w/ PRESS NUT STD
2.	1	18174-VUB	10-32 X 3/4 SOCKET SCREW



CHECKED BY: _____
 PACKED BY: _____
 DATE: _____