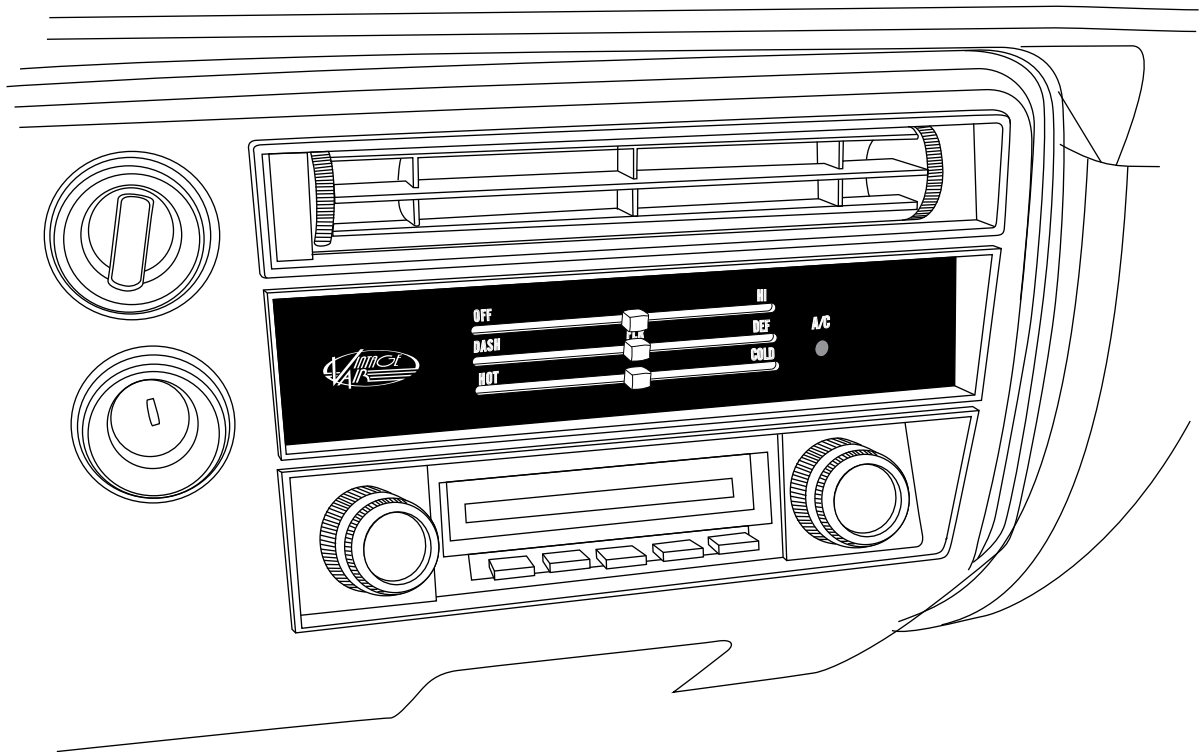




an ISO 9001:2015 Registered Company

1968-69 Chevrolet Chevelle

Control Panel Kit (473068)



18865 Goll St. San Antonio, TX 78266
Phone: 800-862-6658
Sales: sales@vintageair.com
Tech Support: tech@vintageair.com
www.vintageair.com



www.vintageair.com

Table of Contents

Cover.....	1
Table of Contents.....	2
Packing List/Parts Disclaimer.....	3
OEM Control Panel Removal.....	4
Control Panel Installation, Final Steps.....	5
Wiring Diagram.....	6
Operation of Controls.....	7
Packing List.....	8

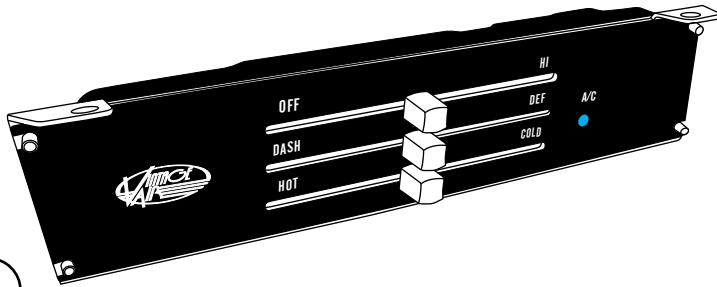


www.vintageair.com

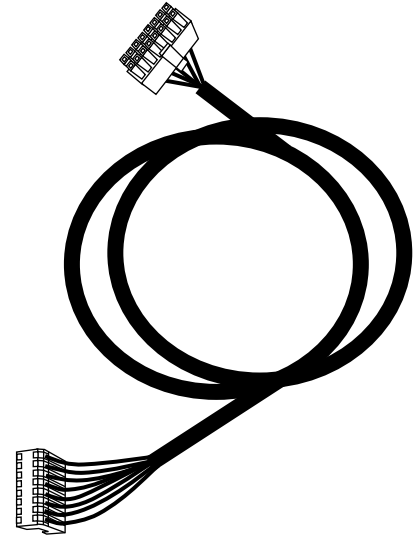
Packing List: Control Panel Kit (473068)

No.	Qty.	Part No.	Description
1.	1	473067	Control Panel Assembly
2.	1	232007-VUR	Control Harness, Gen IV Universal

**** Before beginning installation, open all packages and check contents of shipment. Please report any shortages directly to Vintage Air within 15 days. After 15 days, Vintage Air will not be responsible for missing or damaged items.**



1



2

**NOTE: Images may not depict actual parts and quantities.
Refer to packing list for actual parts and quantities.**



www.vintageair.com

OEM Control Panel Removal

NOTE: Removal of dashboard is required for control panel installation. Vintage Air recommends using the factory service manual to disassemble and reassemble the dashboard.

Perform the Following:

1. Disconnect battery.
2. Remove the dash pad by removing (6) screws (retain).
3. Lower the steering column and protect it with a cloth.
4. Disconnect all cables and wires from the instrument panel, speedometer, control panel and radio. **NOTE:** When using a Vintage Air supplied control panel, connect the tan wire from the Gen IV Evaporator wiring harness (232600-VUA) to the factory dash lights to enable panel backlighting.
5. Remove the retaining screws at the top, bottom, and side of the instrument panel.
6. Remove the control panel from the instrument panel.

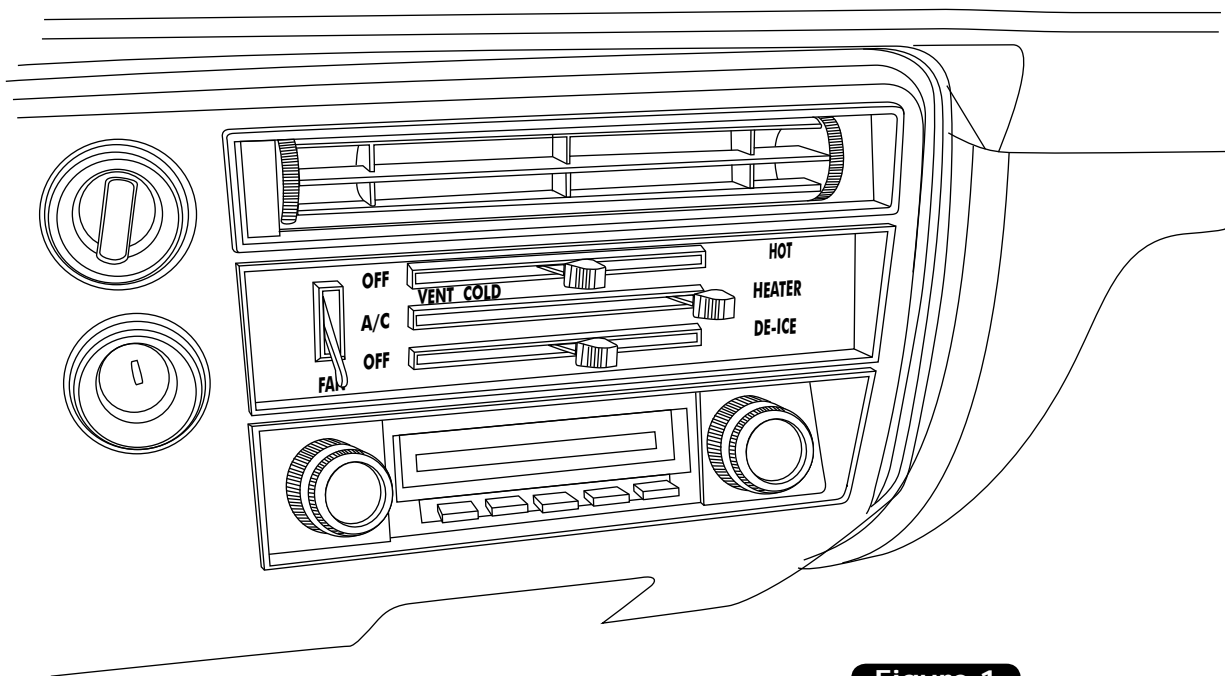


Figure 1

1968 Model Shown



www.vintageair.com

Control Panel Installation

1. Install the control panel assembly into the back side of the instrument panel as shown in Figure 2, below.
2. Secure the control panel assembly to the instrument panel using (4) OEM screws as shown in Figure 2, below.
3. Plug the control panel harness into the ECU as shown in Figure 2, below. Plug the opposite end of the harness into the control panel as shown in Figure 2, below.

NOTE: When using a Vintage Air supplied control panel, connect the tan wire from the Gen IV Evaporator wiring harness (232600-VUA) to the factory dash lights to enable panel backlighting.

NOTE: ECU module is located on evaporator sub case.

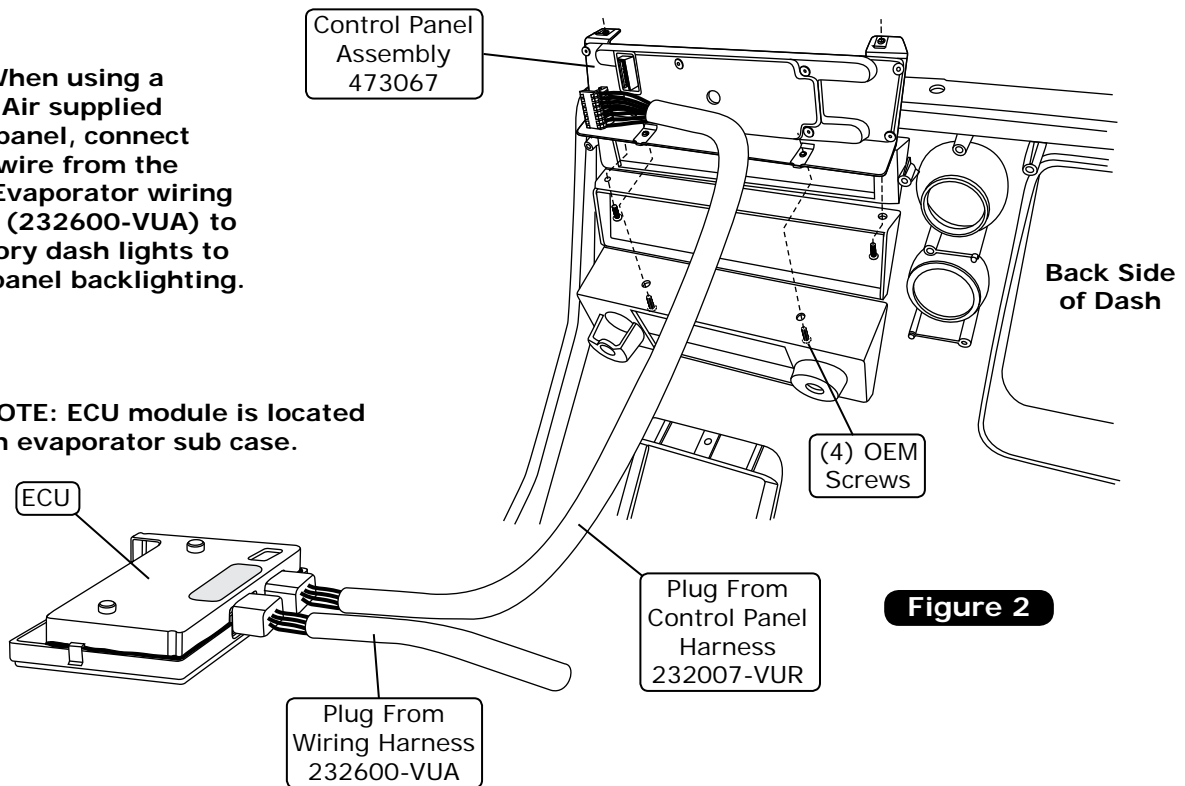
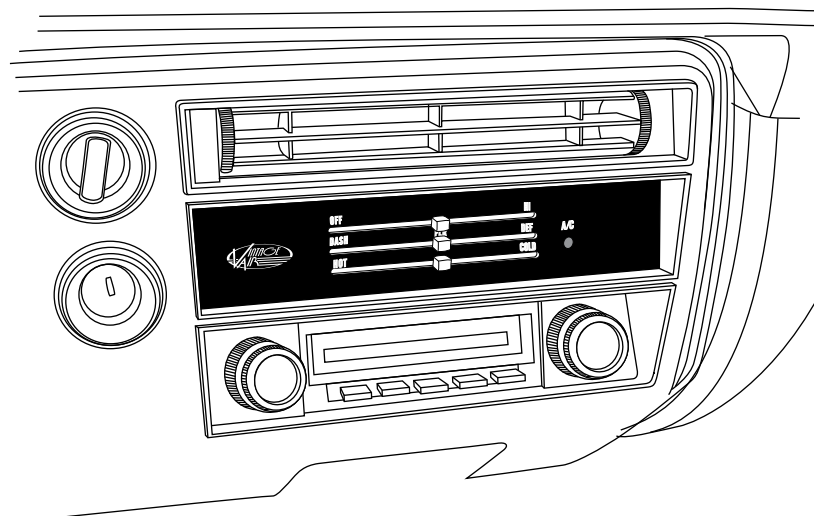


Figure 2

Final Steps

1. Reinstall all previously removed items (instrument panel, radio and wiring).
2. Reinstall the dash pad using (6) OEM screws.

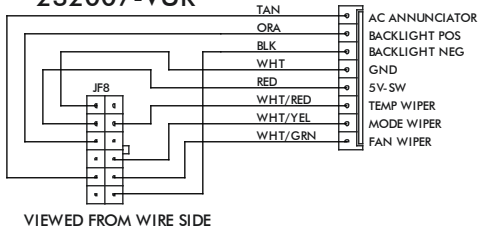




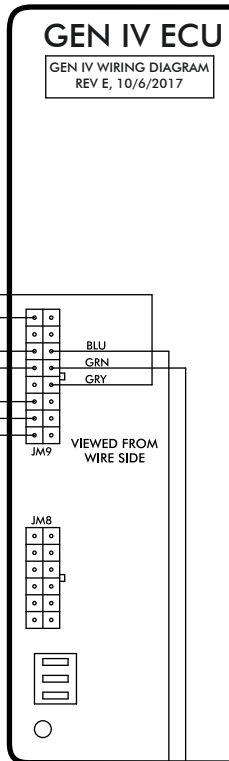
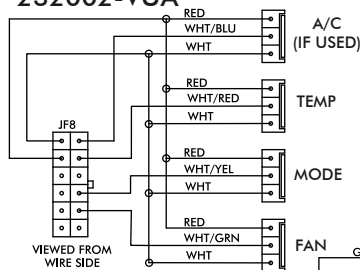
www.vintageair.com

Wiring Diagram

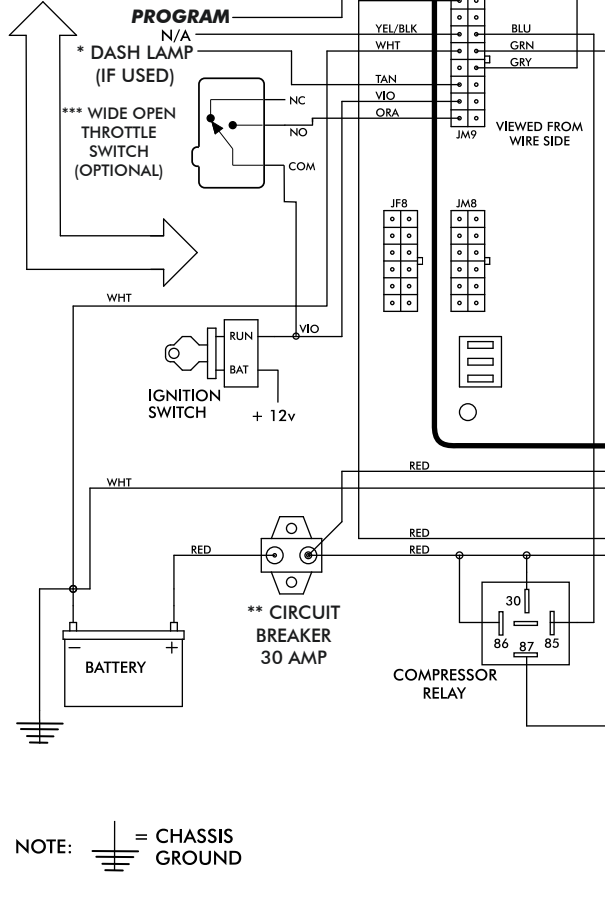
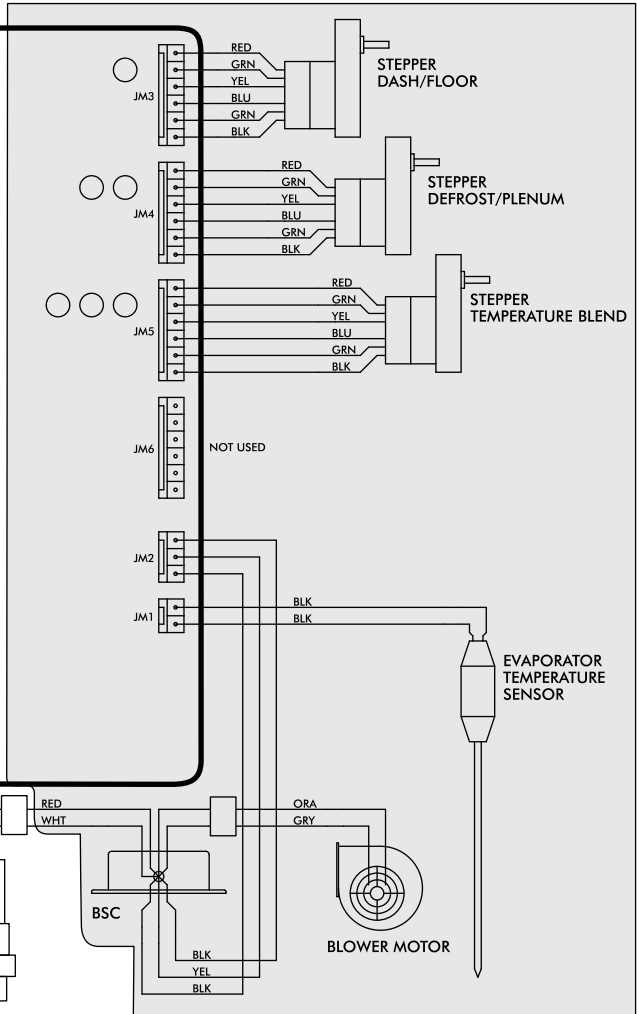
232007-VUR



232002-VUA



PRE-WIRED



NOTE: = CHASSIS GROUND

- * Dash Lamp Is Used Only With Type 232007-VUR Harness.
- ** Warning: Always Mount Circuit Breaker As Close to the Battery As Possible. (NOTE: Wire Between Battery and Circuit Breaker Is Unprotected and Should Be Carefully Routed to Avoid a Short Circuit).
- *** Wide Open Throttle Switch Contacts Close Only at Full Throttle, Which Disables A/C Compressor.



www.vintageair.com

Operation of Controls

On Gen IV systems with three lever/knob controls, the temperature control toggles between heat and A/C operations. To activate A/C, move the temperature lever/knob all the way to cold and then back it off to the desired vent temperature. For heat operation, move the temperature lever/knob all the way to hot and then adjust to the desired vent temperature. The blower will momentarily change speed, each time you toggle between operations, to indicate the change.

Blower Speed

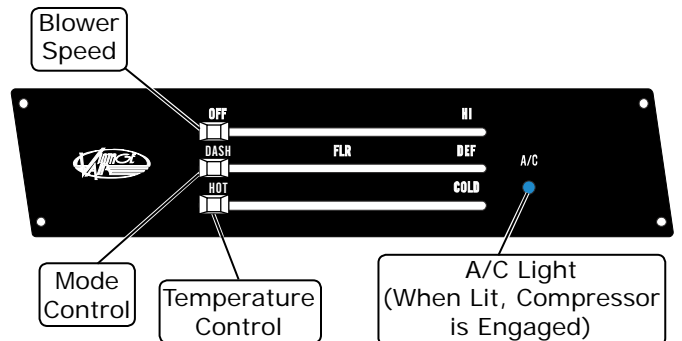
This lever/knob controls blower speed, from OFF to HI.

Mode Control

This lever/knob controls the mode positions, from DASH to FLOOR to DEFROST, with a blend in between.

Temperature Control

This lever/knob controls the temperature, from HOT to COLD.



A/C Operation

Blower Speed

Adjust to desired speed.

Mode Control

Adjust to desired mode position (DASH position recommended).

Temperature Control

For A/C operation, adjust to coldest position to engage compressor (Adjust between HOT and COLD to reach desired temperature).



Heat Operation

Blower Speed

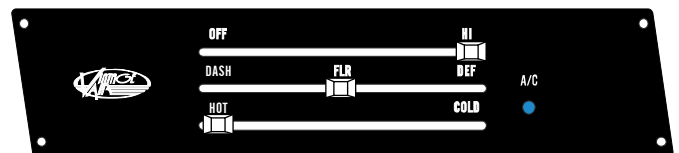
Adjust to desired speed.

Mode Control

Adjust to desired mode position (FLOOR position recommended).

Temperature Control

For maximum heating, adjust to hottest position (Adjust between HOT and COLD to reach desired temperature).



Defrost/De-fog Operation

Blower Speed

Adjust to desired speed.

Temperature Control

Adjust to desired temperature.

Mode Control

Adjust to DEFROST position for maximum defrost, or between FLOOR and DEFROST positions for a bi-level blend (Compressor is automatically engaged).



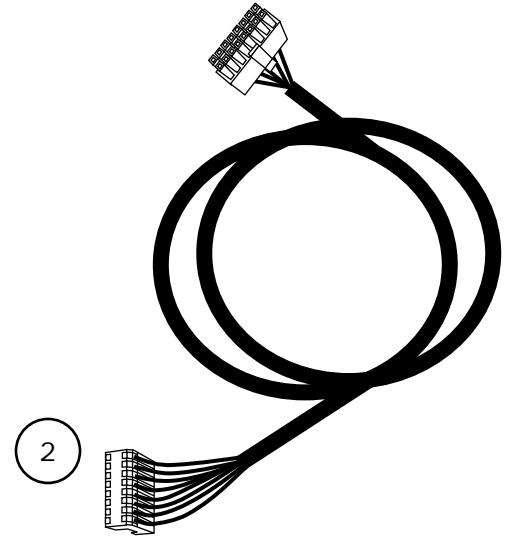
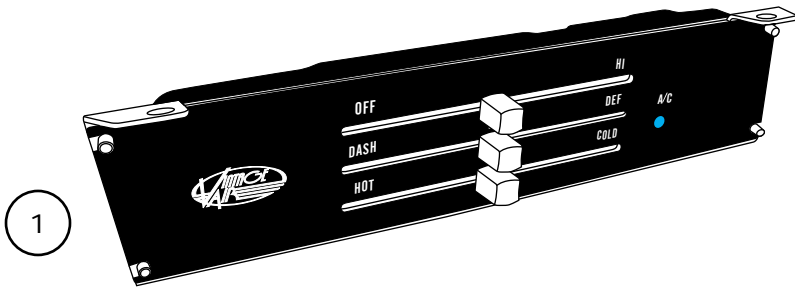


www.vintageair.com

Packing List: Control Panel Kit (473068)

No.	Qty.	Part No.	Description
1.	1	473067	Control Panel Assembly
2.	1	232007-VUR	Control Harness, Gen IV Universal

Checked By: _____
 Packed By: _____
 Date: _____



**NOTE: Images may not depict actual parts and quantities.
 Refer to packing list for actual parts and quantities.**