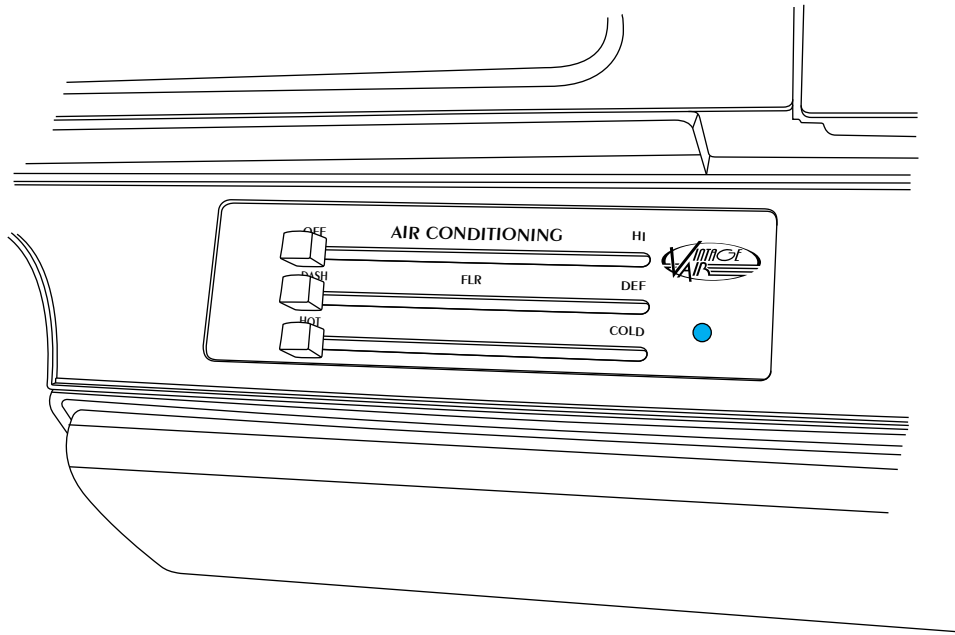




an ISO 9001:2015 Registered Company

1970-72 Oldsmobile Cutlass

Control Panel Conversion Kit (473076)



18865 Goll St. San Antonio, TX 78266
Phone: 800-862-6658
Sales: sales@vintageair.com
Tech Support: tech@vintageair.com
www.vintageair.com



www.vintageair.com

Table of Contents

Cover.....	1
Table of Contents.....	2
Packing List/Parts Disclaimer.....	3
OEM Control Panel Removal.....	4
Control Panel & Control Harness Installation.....	5
Wiring Diagram.....	6
Operation of Controls.....	7
Packing List.....	8
	9

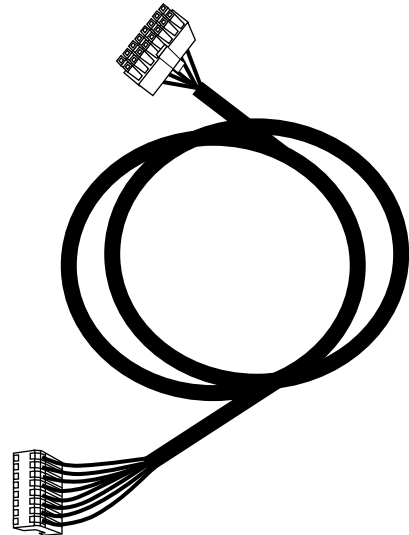
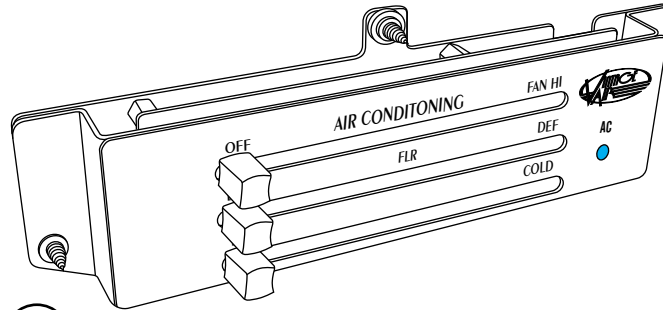


www.vintageair.com

Packing List: Control Panel Kit (473076)

No.	Qty.	Part No.	Description
1.	1	473077	Control Panel Assembly
2.	1	232007-VUR	Control Harness, Gen IV Universal

**** Before beginning installation, open all packages and check contents of shipment. Please report any shortages directly to Vintage Air within 15 days. After 15 days, Vintage Air will not be responsible for missing or damaged items.**



NOTE: Images may not depict actual parts and quantities. Refer to packing list for actual parts and quantities.



www.vintageair.com

OEM Control Panel Removal

Perform the Following:

1. Disconnect the battery ground cable.
2. Disconnect all wires and cables from the control panel. **NOTE: When using a Vintage Air supplied control panel, connect the tan wire from the Gen IV Evaporator wiring harness (232600-VUA) to the factory dash lights to enable panel backlighting.**
3. Remove the control panel from the dash by removing (3) OEM screws.

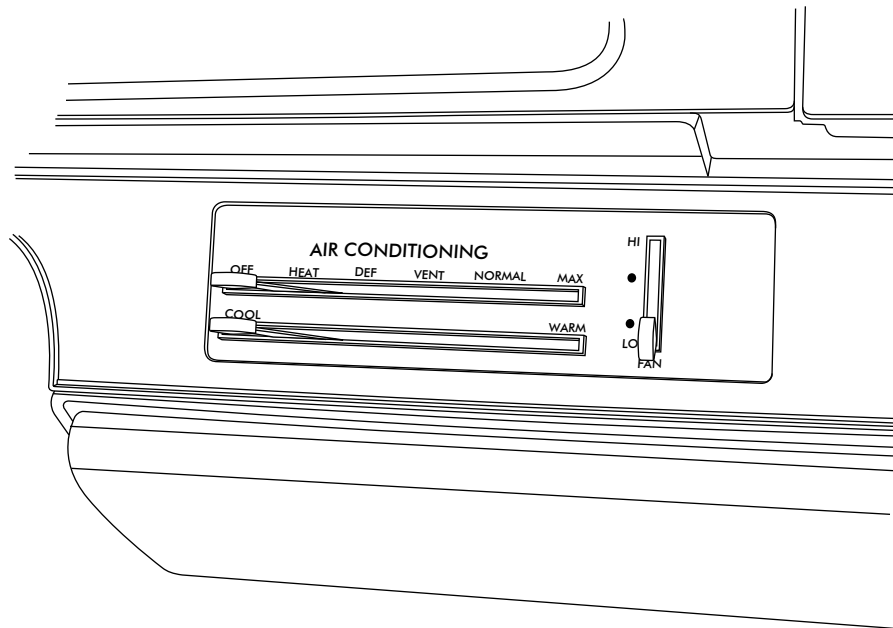


Figure 1



www.vintageair.com

Control Panel & Control Harness Installation

1. Install the control panel assembly into the OEM mounting location. **NOTE: Take care not to scuff the control panel face during installation (See Figure 2, below).**
2. The control panel face is intended to position just shy of flush of the instrument panel.
3. Plug the control panel harness into the ECU as shown in Figure 3, below. Plug the opposite end of the harness into the control panel PC board as shown in Figure 3, below.

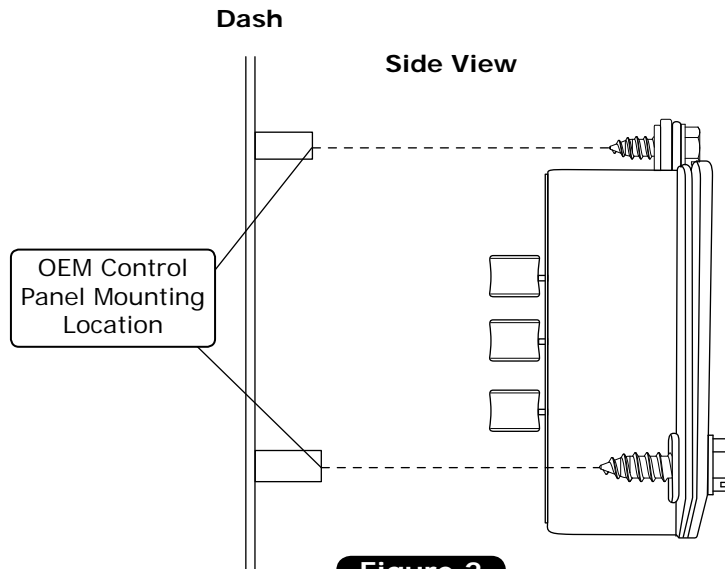


Figure 2

NOTE: ECU module located on evaporator sub case.

NOTE: When using a Vintage Air supplied control panel, connect the tan wire from the Gen IV Evaporator wiring harness (232600-VUA) to the factory dash lights to enable panel backlighting.

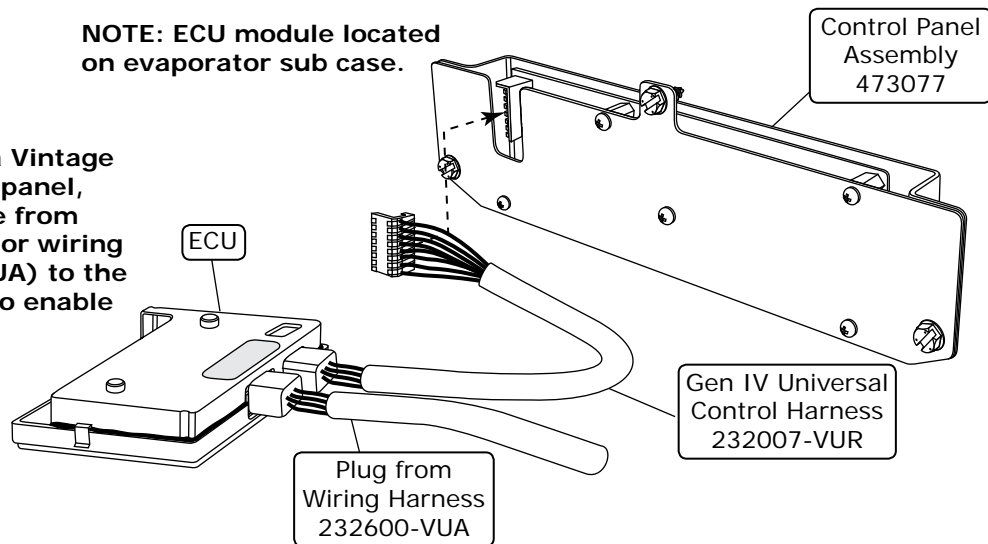


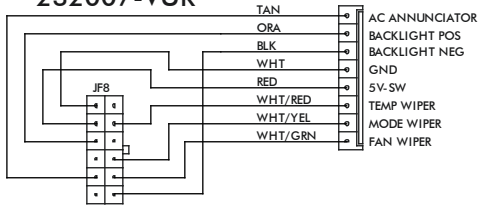
Figure 3



www.vintageair.com

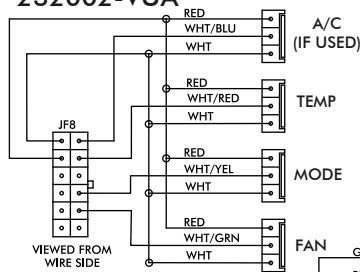
Wiring Diagram

232007-VUR



VIEWED FROM WIRE SIDE

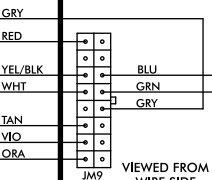
232002-VUA



VIEWED FROM WIRE SIDE

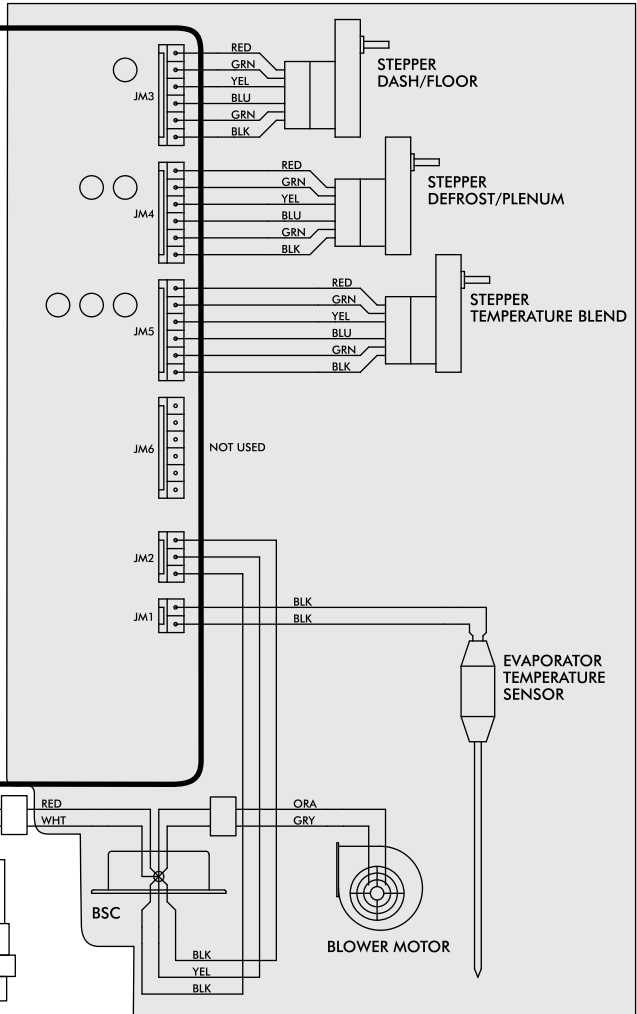
GEN IV ECU

GEN IV WIRING DIAGRAM
REV E, 10/6/2017



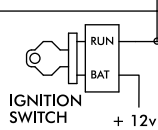
VIEWED FROM WIRE SIDE

PRE-WIRED



PROGRAM

N/A
* DASH LAMP (IF USED)
*** WIDE OPEN THROTTLE SWITCH (OPTIONAL)



IGNITION SWITCH + 12v

** CIRCUIT BREAKER 30 AMP

COMPRESSOR RELAY

BINARY OR TRINARY SAFETY SWITCH

CMPR

HEATER CONTROL VALVE

NOTE: = CHASSIS GROUND

* Dash Lamp Is Used Only With Type 232007-VUR Harness.

** Warning: Always Mount Circuit Breaker As Close to the Battery As Possible. (NOTE: Wire Between Battery and Circuit Breaker Is Unprotected and Should Be Carefully Routed to Avoid a Short Circuit).

*** Wide Open Throttle Switch Contacts Close Only at Full Throttle, Which Disables A/C Compressor.



www.vintageair.com

Operation of Controls

On Gen IV systems with three lever/knob controls, the temperature control toggles between heat and A/C operations. To activate A/C, move the temperature lever/knob all the way to cold and then back it off to the desired vent temperature. For heat operation, move the temperature lever/knob all the way to hot and then adjust to the desired vent temperature. The blower will momentarily change speed, each time you toggle between operations, to indicate the change.

Blower Speed

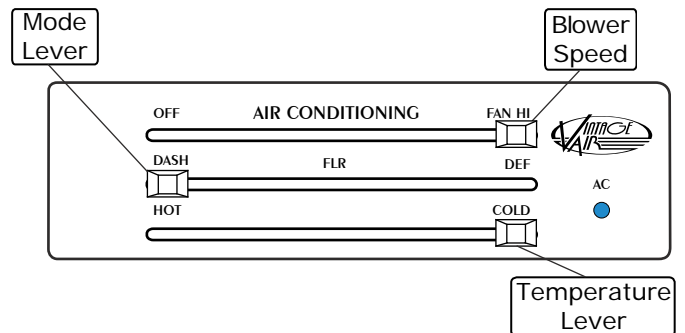
This lever/knob controls blower speed, from OFF to HI.

Mode Control

This lever/knob controls the mode positions, from DASH to FLOOR to DEFROST, with a blend in between.

Temperature Control

This lever/knob controls the temperature, from HOT to COLD.



A/C Operation

Blower Speed

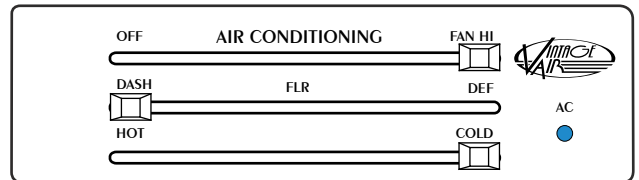
Adjust to desired speed.

Mode Control

Adjust to desired mode position (DASH position recommended).

Temperature Control

For A/C operation, adjust to coldest position to engage compressor (Adjust between HOT and COLD to reach desired temperature).



Heat Operation

Blower Speed

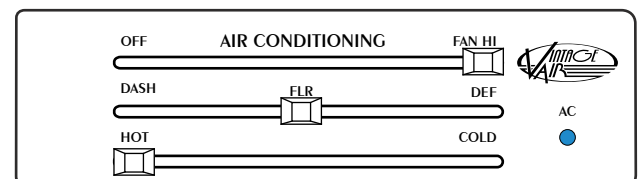
Adjust to desired speed.

Mode Control

Adjust to desired mode position (FLOOR position recommended).

Temperature Control

For maximum heating, adjust to hottest position (Adjust between HOT and COLD to reach desired temperature).



Defrost/De-fog Operation

Blower Speed

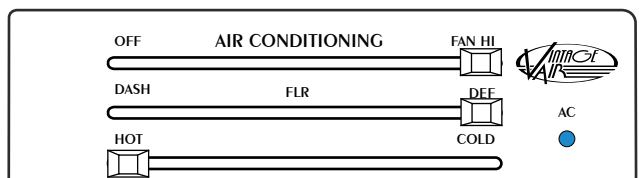
Adjust to desired speed.

Temperature Control

Adjust to desired temperature.

Mode Control

Adjust to DEFROST position for maximum defrost, or between FLOOR and DEFROST positions for a bi-level blend (Compressor is automatically engaged).



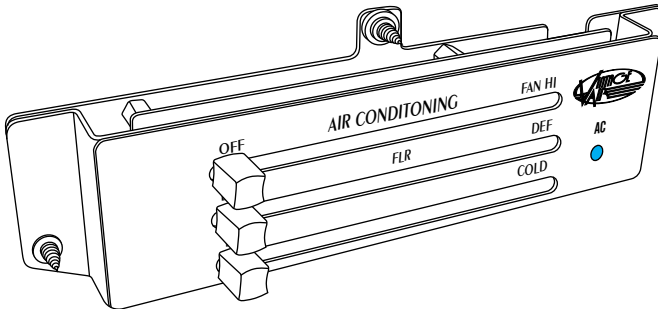


www.vintageair.com

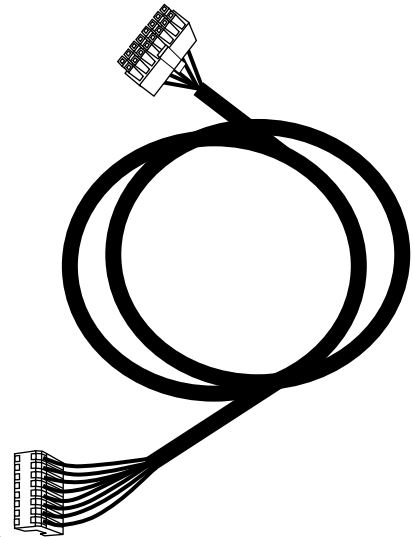
Packing List: Control Panel Kit (473076)

No.	Qty.	Part No.	Description
1.	1	473077	Control Panel Assembly
2.	1	232007-VUR	Control Harness, Gen IV Universal

Checked By: _____
 Packed By: _____
 Date: _____



1



2

**NOTE: Images may not depict actual parts and quantities.
 Refer to packing list for actual parts and quantities.**