



an ISO 9001:2015 Registered Company

1968 Pontiac GTO

Control Panel Kit
(473249)



18865 Goll St. San Antonio, TX 78266
Phone: 800-862-6658
Sales: sales@vintageair.com
Tech Support: tech@vintageair.com
www.vintageair.com



www.vintageair.com

Table of Contents

Cover.....	1
Table of Contents.....	2
Packing List/Parts Disclaimer.....	3
OEM Control Panel Removal.....	4
Control Panel Installation.....	5
Wiring Diagram.....	6
Operation of Controls.....	7
Packing List.....	8



www.vintageair.com

Packing List: Control Panel Kit (473249)

No.	Qty.	Part No.	Description
1.	1	473252	Control Panel Assembly
2.	1	232007-VUR	Control Harness, Gen IV Universal

** Before beginning installation, open all packages and check contents of shipment. Please report any shortages directly to Vintage Air within 15 days. After 15 days, Vintage Air will not be responsible for missing or damaged items.



NOTE: Images may not depict actual parts and quantities.
Refer to packing list for actual parts and quantities.



www.vintageair.com

OEM Control Panel Removal

Perform the Following:

1. Remove the OEM control panel from the dash housing by removing the (3) mounting screws as shown in Photos 1, 2 and 3, below (retain screws).

OEM Control Panel

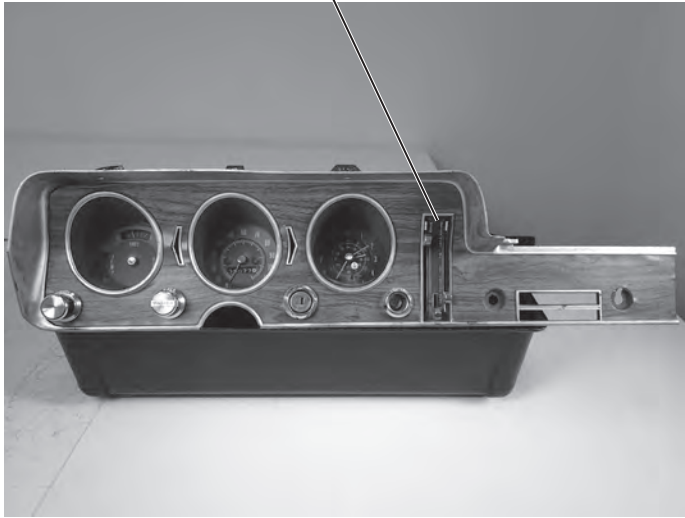


Photo 1

Remove (3) OEM Mounting Screws

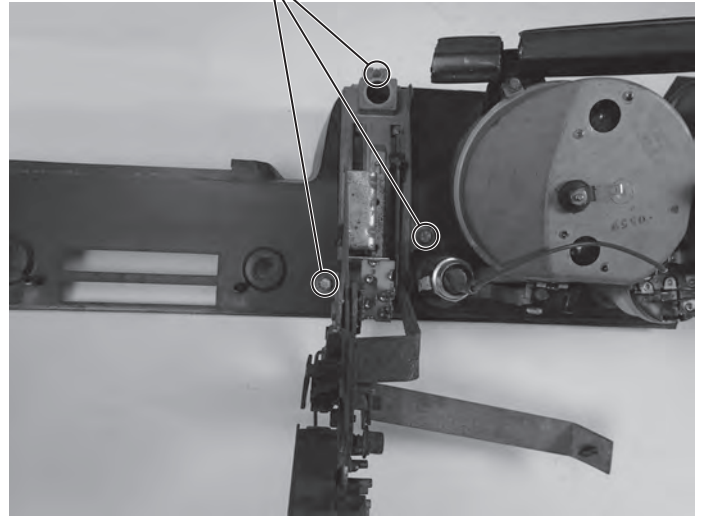
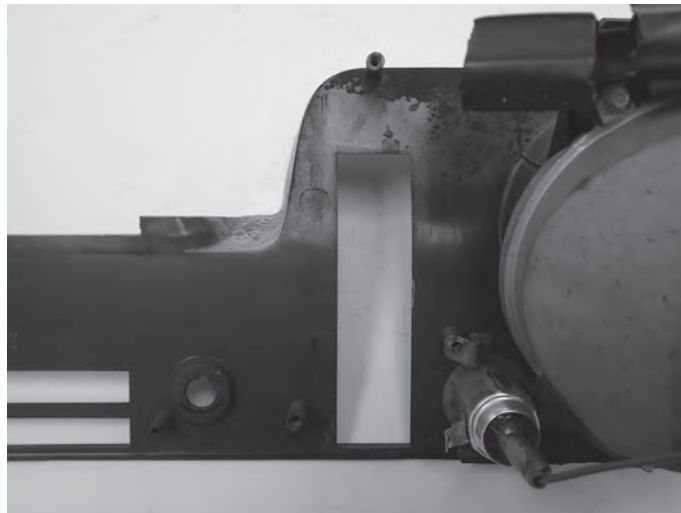


Photo 2



Control Panel Removed

Photo 3



www.vintageair.com

Control Panel Installation

1. Install the new Vintage Air control panel into the OEM position and secure it using the (3) OEM mounting screws (See Photos 1 and 2, below). **NOTE: Position the control knobs as shown in Photo 1, below, to insert the control panel into the dash opening. The control panel knobs have been pressed into a position to clear the trim around the dash opening. Do not remove the control panel knobs so proper positioning is maintained.**
2. Plug the control panel harness connector into the ECU (See Photo 3, below). **NOTE: The ECU module is located on the evaporator sub case. When using a Vintage Air supplied control panel, connect the tan wire from the GEN IV evaporator wiring harness (232600-VUA) to the factory dash lights to enable panel back lighting.**

Position Knobs
as Shown to
Install Panel

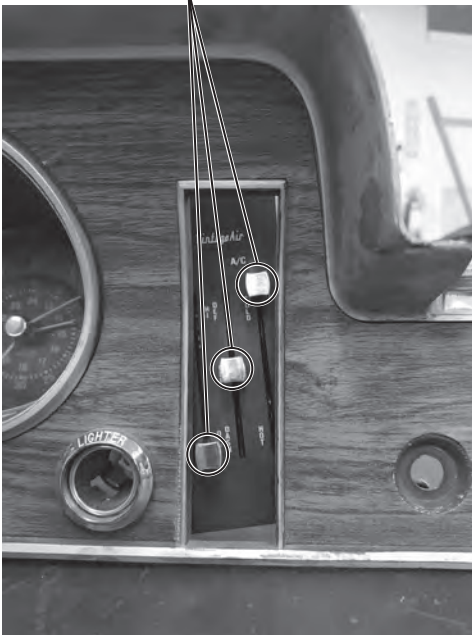


Photo 1

Secure Control Panel
Using (3) OEM
Mounting Screws

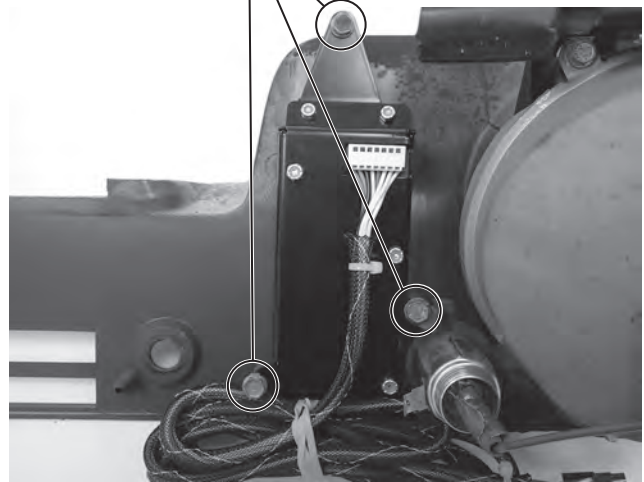
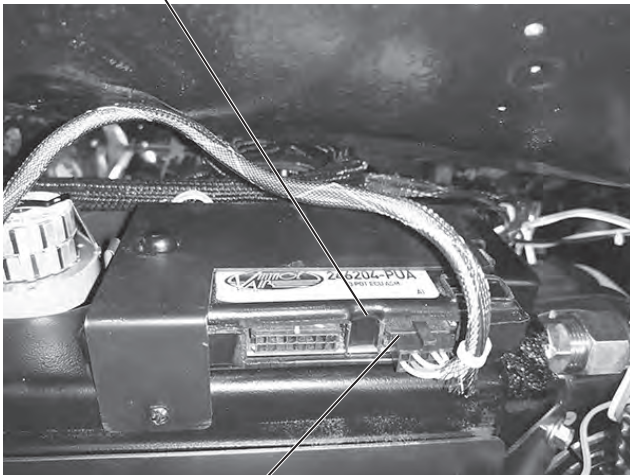


Photo 2

ECU Module



Control Panel
Harness Connector

Photo 3



Completed Control
Panel Installation

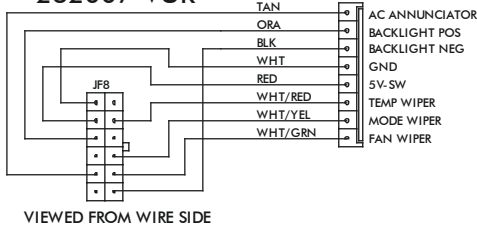
Photo 4



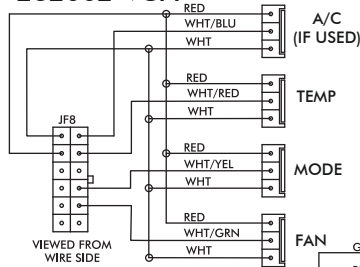
www.vintageair.com

Wiring Diagram

232007-VUR

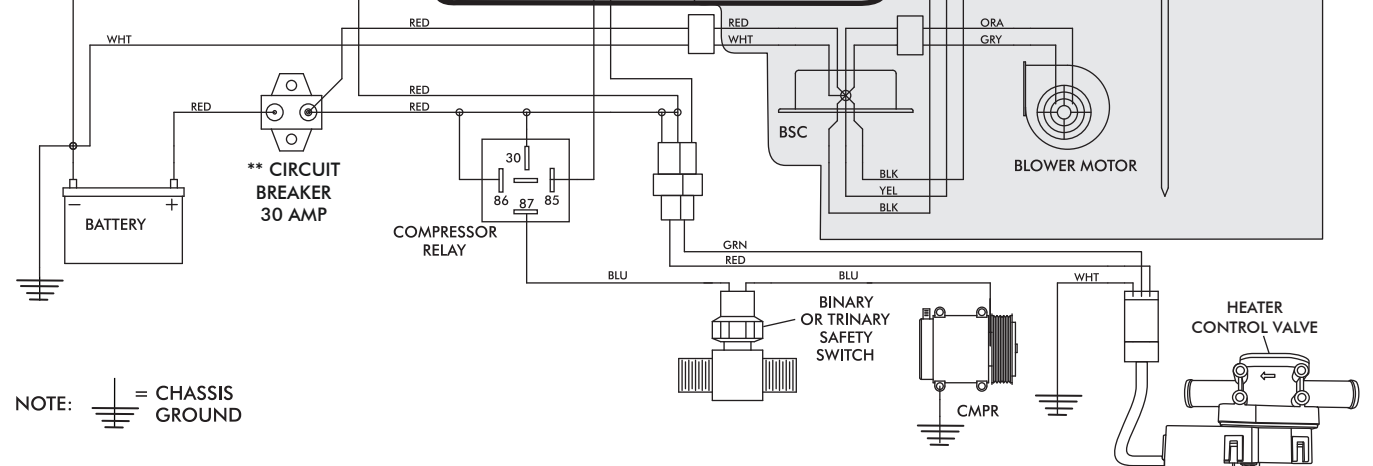
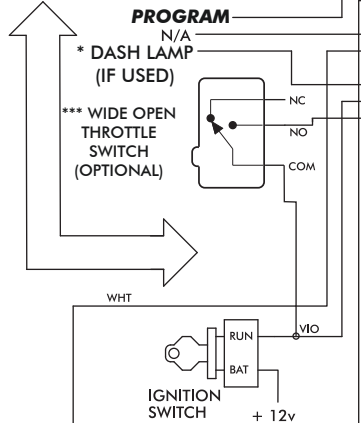
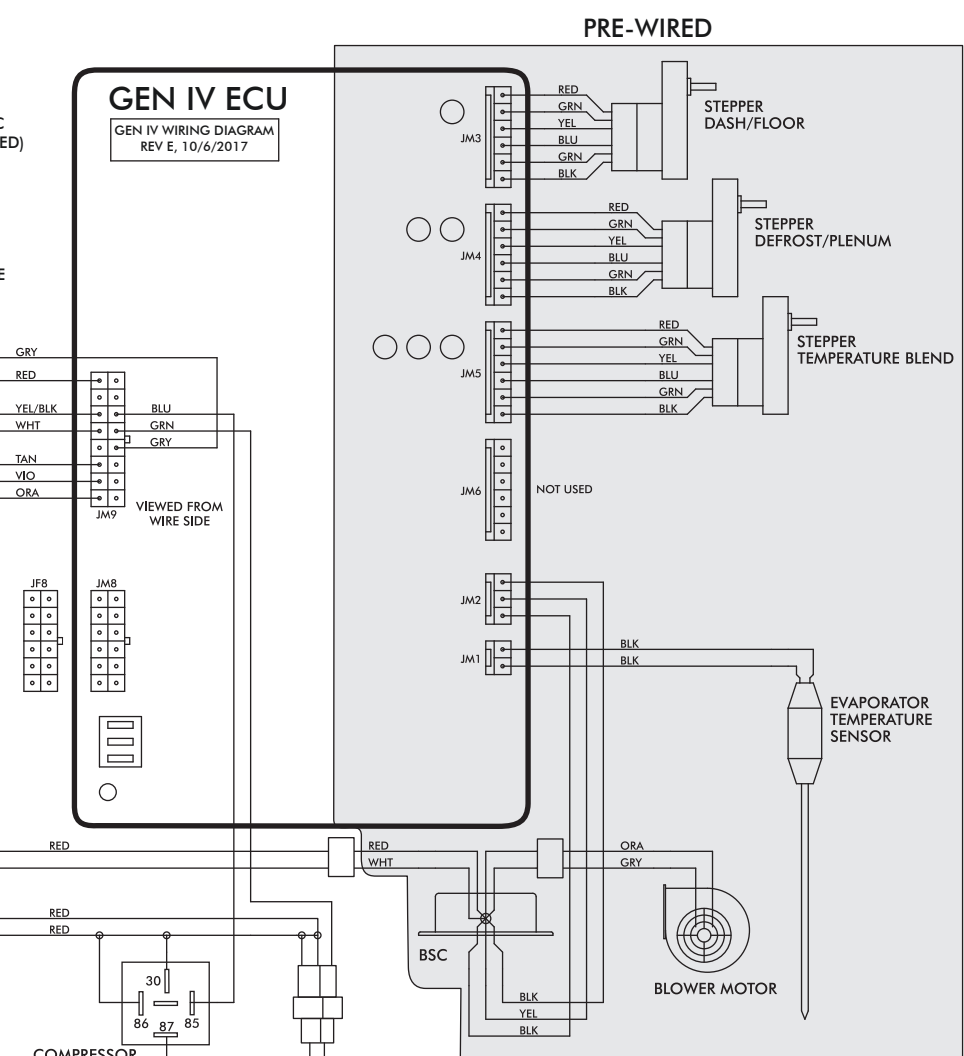


232002-VUA



GEN IV ECU

GEN IV WIRING DIAGRAM
REV E, 10/6/2017



NOTE: = CHASSIS GROUND

- * Dash lamp is used only with type 232007-VUR harness.
- ** Warning: Always mount circuit breaker as close to the battery as possible. (NOTE: Wire between battery and circuit breaker is unprotected and should be carefully routed to avoid a short circuit).
- *** Wide open throttle switch contacts close only at full throttle, which disables A/C compressor.



www.vintageair.com

Operation of Controls

On Gen IV systems with three lever/knob controls, the temperature control toggles between heat and A/C operations. To activate A/C, move the temperature lever/knob all the way to cold and then back it off to the desired vent temperature. For heat operation, move the temperature lever/knob all the way to hot and then adjust to the desired vent temperature. The blower will momentarily change speed, each time you toggle between operations, to indicate the change.

Blower Speed

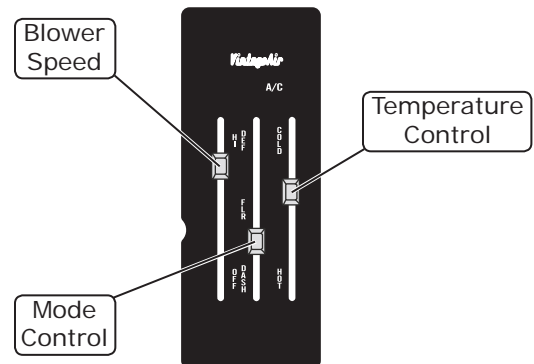
This lever/knob controls blower speed, from OFF to HI.

Mode Control

This lever/knob controls the mode positions, from DEFROST to FLOOR to DASH, with a blend in between.

Temperature Control

This lever/knob controls the temperature, from HOT to COLD.



A/C Operation

Blower Speed

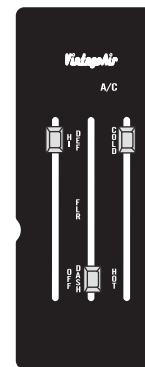
Adjust to desired speed.

Mode Control

Adjust to desired mode position (DASH position recommended).

Temperature Control

For A/C operation, adjust to coldest position to engage compressor (Adjust between HOT and COLD to reach desired temperature).



Heat Operation

Blower Speed

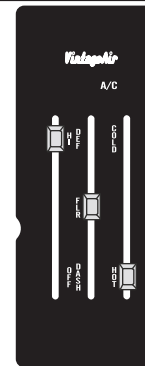
Adjust to desired speed.

Mode Control

Adjust to desired mode position (FLOOR position recommended).

Temperature Control

For maximum heating, adjust to hottest position (Adjust between HOT and COLD to reach desired temperature).



Defrost/De-fog Operation

Blower Speed

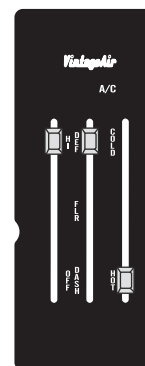
Adjust to desired speed.

Temperature Control

Adjust to desired temperature.

Mode Control

Adjust to DEFROST position for maximum defrost, or between FLOOR and DEFROST positions for a bi-level blend (Compressor is automatically engaged).





www.vintageair.com

Packing List: Control Panel Kit (473249)

No.	Qty.	Part No.	Description
1.	1	473252	Control Panel Assembly
2.	1	232007-VUR	Control Harness, Gen IV Universal

Checked By: _____
 Packed By: _____
 Date: _____



NOTE: Images may not depict actual parts and quantities.
 Refer to packing list for actual parts and quantities.