



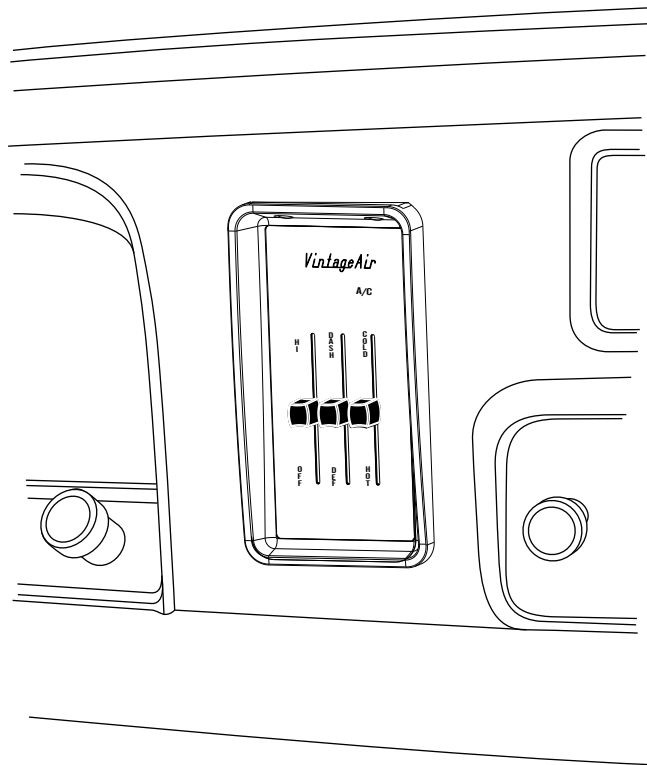
an ISO 9001:2015 Registered Company

1964-66 Chevrolet Pickup

Control Panel Kit

(473275)

(473276)



18865 Goll St. San Antonio, TX 78266

Phone: 800-862-6658

Sales: sales@vintageair.com

Tech Support: tech@vintageair.com

www.vintageair.com



www.vintageair.com

Table of Contents

| | |
|--------------------------------------------------|----|
| Cover..... | 1 |
| Table of Contents..... | 2 |
| Packing List (473275)/Parts Disclaimer..... | 3 |
| Packing List (473276)/Parts Disclaimer..... | 4 |
| OEM Control Panel..... | 5 |
| Control Panel Installation..... | 6 |
| Final Steps..... | 7 |
| Control Panel Calibration Procedure..... | 8 |
| Control Panel Calibration Procedure (Cont.)..... | 9 |
| Wiring Diagram..... | 10 |
| Operation of Controls..... | 11 |
| Packing List (473275)..... | 12 |
| Packing List (473276)..... | 13 |

Important Notice—Please Read

This control panel is designed to only work with a Gen IV evaporator unit equipped with a 246204-PUA ECU. Please confirm that your unit has the proper ECU prior to installing the control panel as shown below. A replacement ECU can be purchased from Vintage Air if needed.



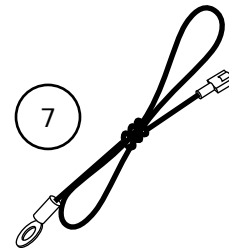
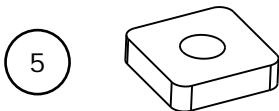
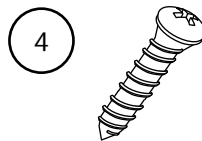
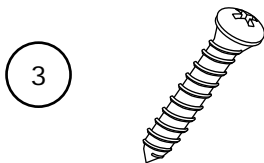
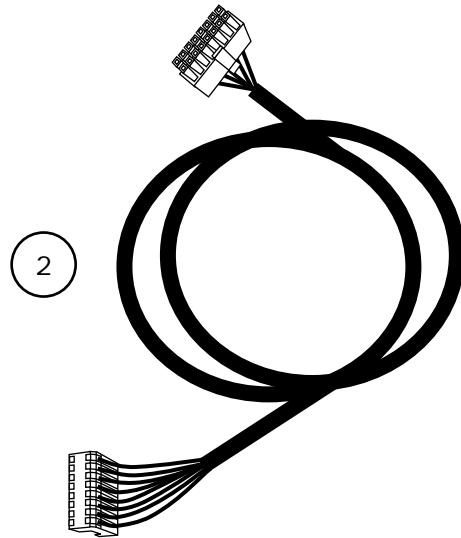
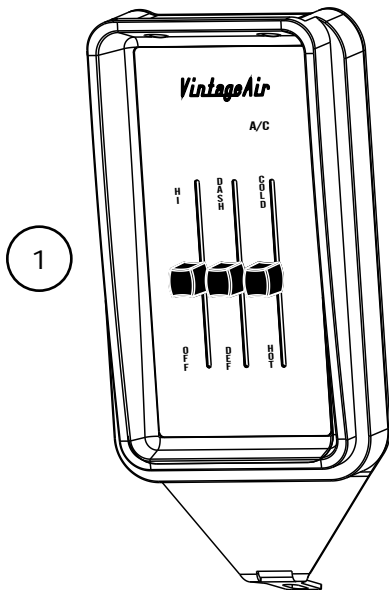


www.vintageair.com

Packing List: (473275) Chrome Finish Control Panel Kit

| No. | Qty. | Part No. | Description |
|-----|------|------------|----------------------------------|
| 1. | 1 | 473082 | Control Panel Assembly, Chrome |
| 2. | 1 | 232007-VUR | Gen IV Universal Control Harness |
| 3. | 1 | 182390 | Screw, #8 x 1, Oval Head |
| 4. | 2 | 182467 | Screw, #8 x 3/4 Oval Head |
| 5. | 1 | 647013 | Spacer, Control Panel |
| 6. | 3 | 189801 | U-nut, #8 |
| 7. | 1 | 231520 | Ground Wire |

**** Before beginning installation, open all packages and check contents of shipment. Please report any shortages directly to Vintage Air within 15 days. After 15 days, Vintage Air will not be responsible for missing or damaged items.**



NOTE: Images may not depict actual parts and quantities. Refer to packing list for actual parts and quantities.

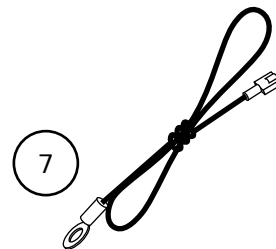
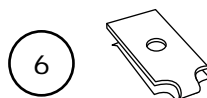
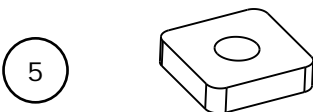
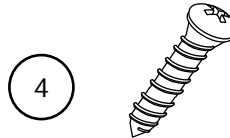
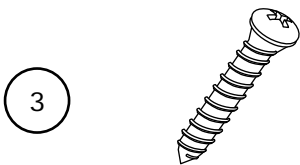
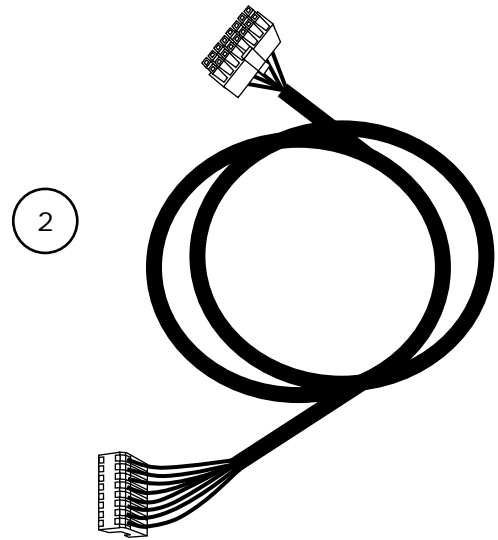
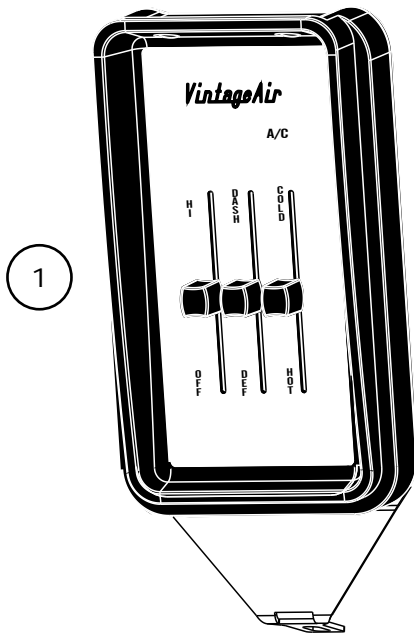


www.vintageair.com

Packing List: (473276) Black Anodized Control Panel Kit

| No. | Qty. | Part No. | Description |
|-----|------|------------|----------------------------------------|
| 1. | 1 | 473083 | Control Panel Assembly, Black Anodized |
| 2. | 1 | 232007-VUR | Gen IV Universal Control Harness |
| 3. | 1 | 182390 | Screw, #8 x 1, Oval Head |
| 4. | 2 | 182466 | Screw, #8 x 3/4 Oval Head |
| 5. | 1 | 647013 | Spacer, Control Panel |
| 6. | 3 | 189801 | U-nut, #8 |
| 7. | 1 | 231520 | Ground Wire |

**** Before beginning installation, open all packages and check contents of shipment. Please report any shortages directly to Vintage Air within 15 days. After 15 days, Vintage Air will not be responsible for missing or damaged items.**



NOTE: Images may not depict actual parts and quantities. Refer to packing list for actual parts and quantities.



www.vintageair.com

OEM Control Panel

Perform the Following:

1. Remove the (3) OEM mounting screws from the top and bottom of the dash (discard screws) (See Figure 1, below). **NOTE: If vehicle is equipped with standard controls, remove the OEM fan switch and knob. Then remove the heater plate (See Figure 2, below).**
2. Disconnect the cables and wires from the back of the control panel.
3. Remove the control panel.

1964-66 Chevrolet Truck without A/C Shown

Deluxe Controls

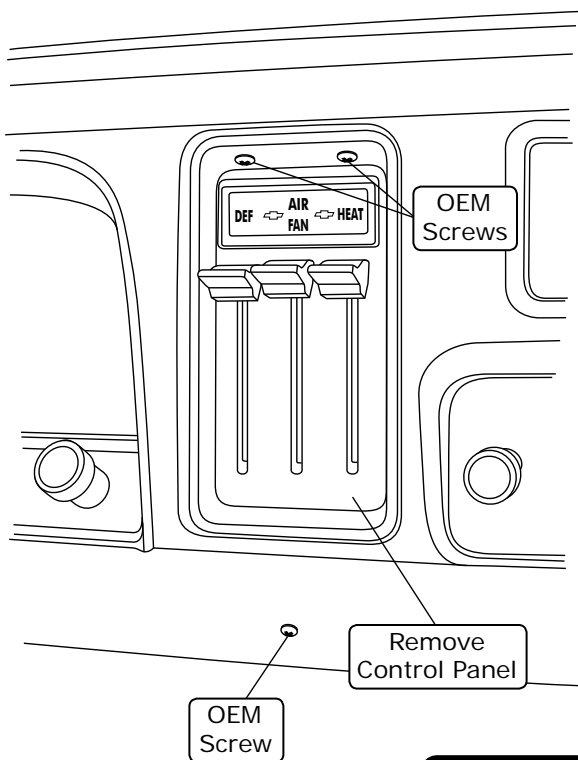


Figure 1

Standard Controls

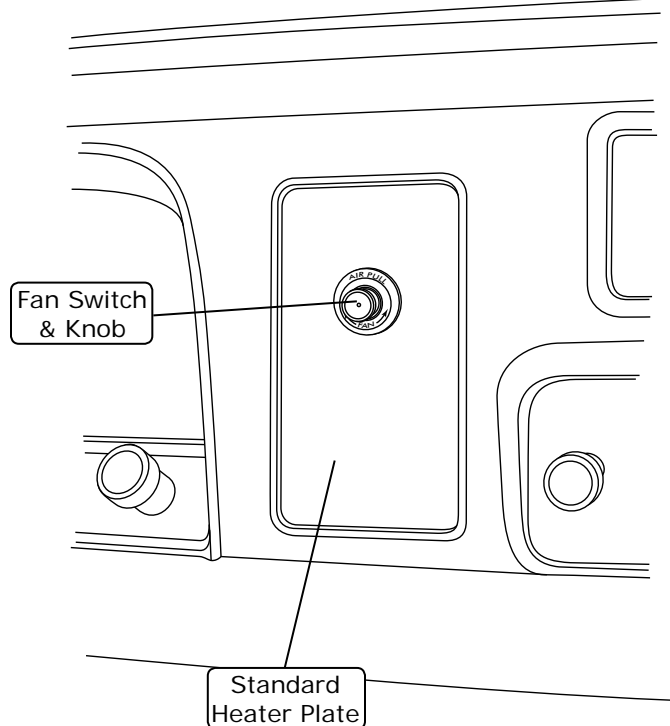


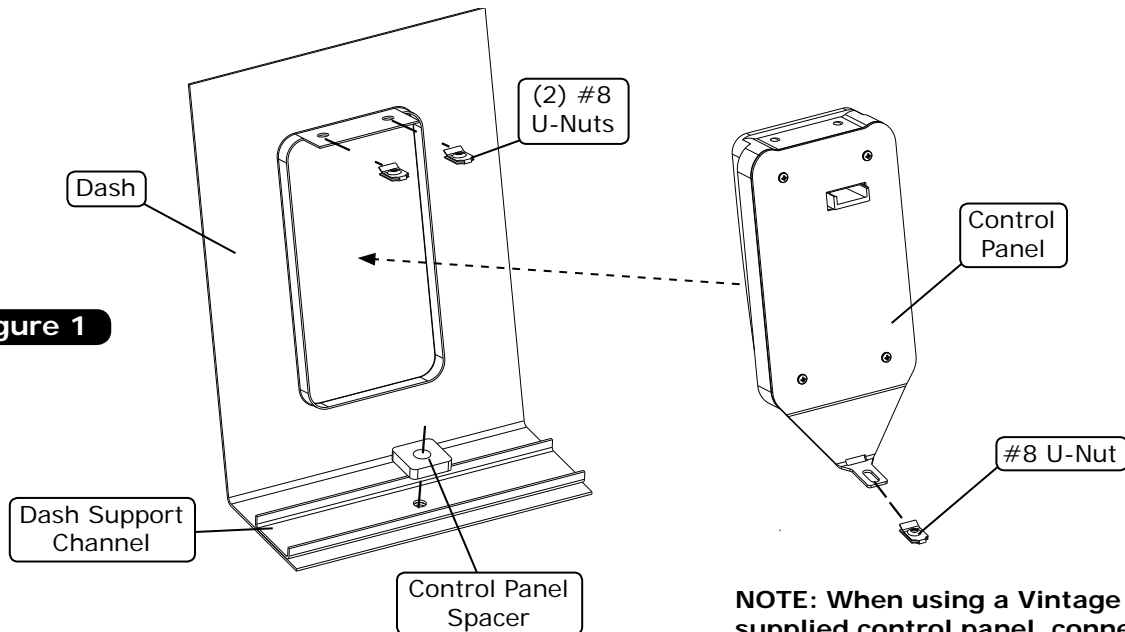
Figure 2



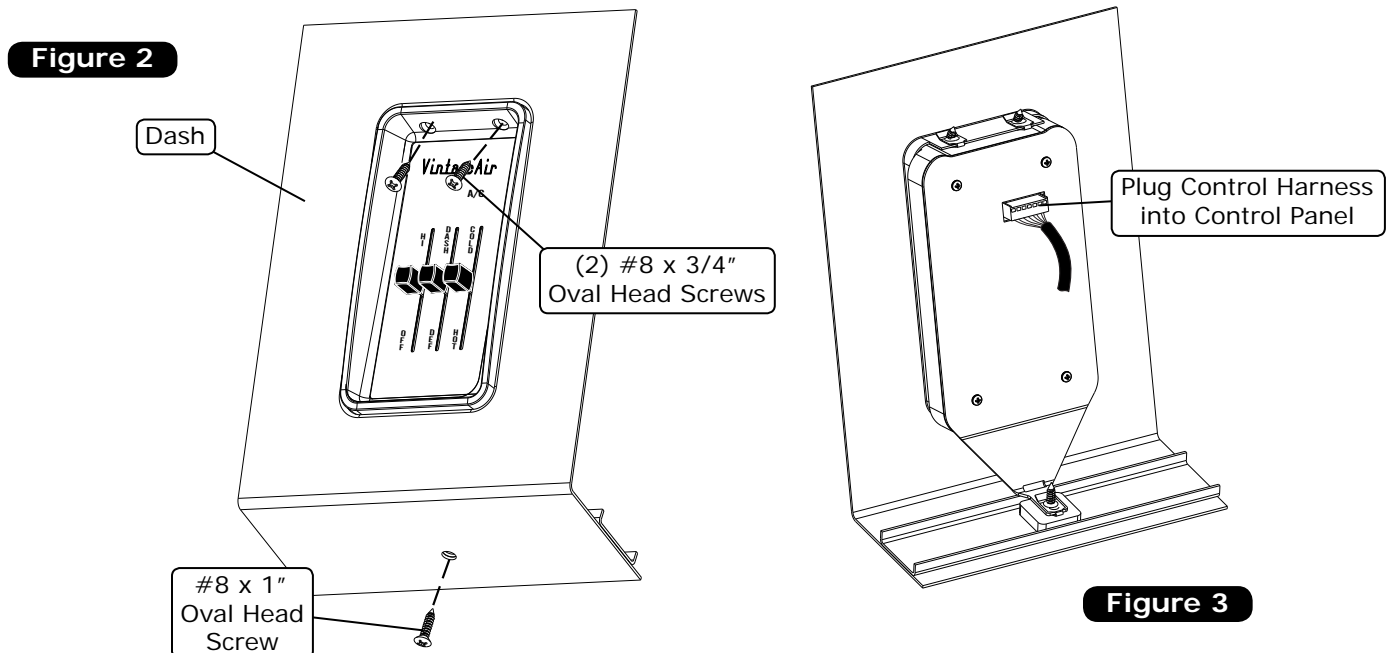
www.vintageair.com

Control Panel Installation

1. Position the control panel spacer into the dash support channel (See Figure 1, below).
2. Insert (2) #8 U-nuts into the top of the dash control panel opening and insert a #8 U-nut onto the bottom of the control panel assembly (See Figure 1, below).
3. From behind the dash, place the control panel against the dash opening (See Figure 1, below).
4. While pressing the bezel firmly into the dash aperture, secure the control panel to the dash using (2) #8 x 3/4" oval head screws and a #8 x 1" oval head screw (See Figure 2, below).
5. Plug the control harness into the back of the control panel as shown in Figure 3, below.



NOTE: When using a Vintage Air supplied control panel, connect the tan wire from the Gen IV Evaporator wiring harness (232600-VUA) to the factory dash lights to enable panel backlighting.





www.vintageair.com

Final Steps

1. Plug the other end of the control harness into the ECU as shown in Figure 1, below.

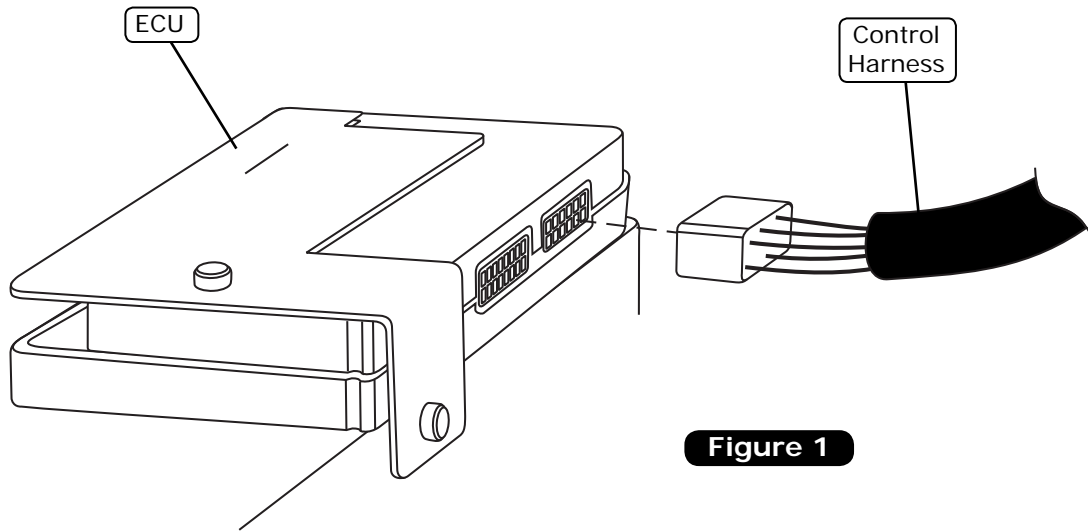


Figure 1

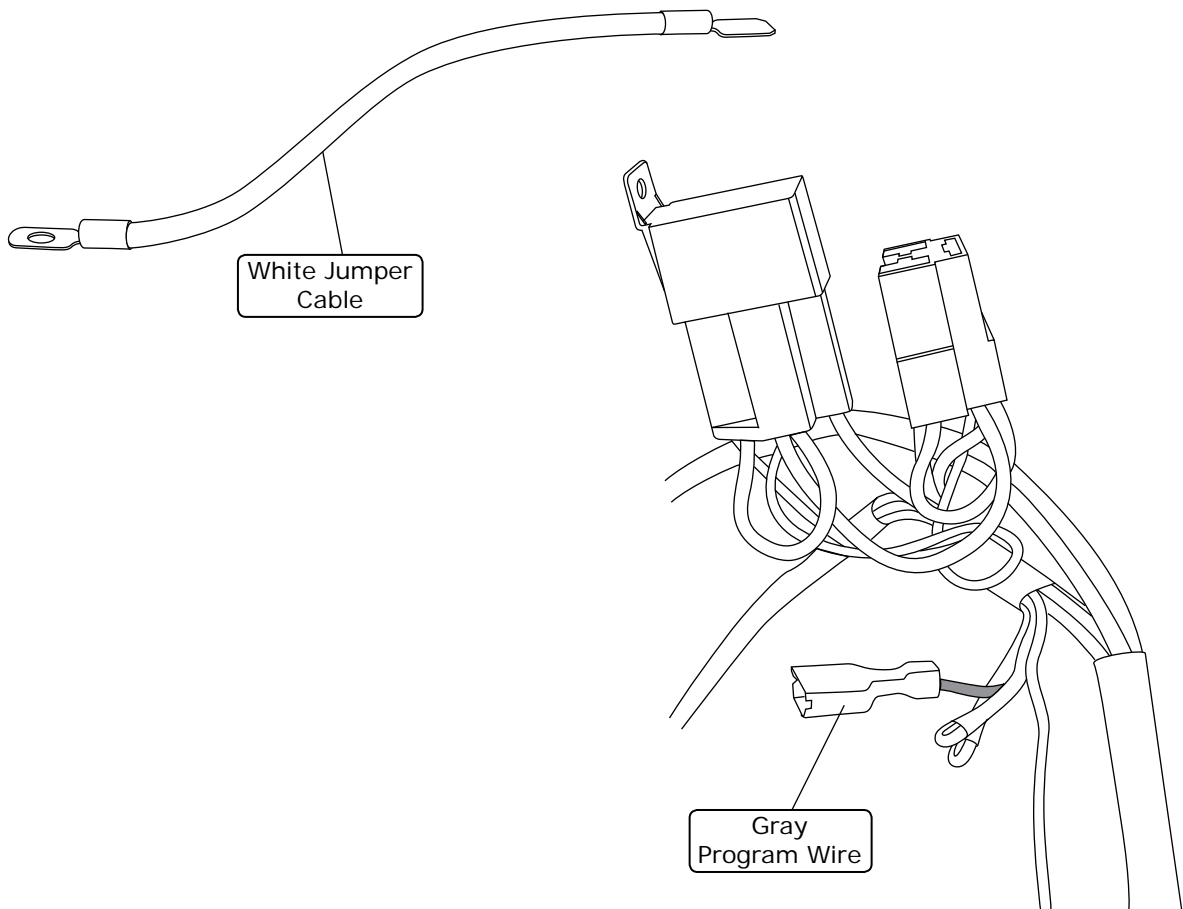


www.vintageair.com

Control Panel Calibration Procedure

On Vintage Air Gen IV systems using cable converters or replacement electronic controls, it is necessary to calibrate the system to your specific control panel. This procedure ensures that the stroke of your control panel levers or knobs is translated into precise control of the fan speed, temperature blend and mode door position. Please carefully read and understand these procedures before beginning. The procedure may be repeated as many times as necessary to get it right.

In preparation for calibration, you will need to attach the supplied white ground jumper wire to a suitable chassis ground. This jumper wire must be easily connected to the gray programming wire located in the main Gen IV wiring harness next to the compressor relay. During the calibration procedure, you will connect the white jumper to the gray program wire, which will "teach" the Gen IV ECU the upper limits of the control levers or knobs. The blower will momentarily change speeds, signaling that the upper limits have been "learned". You will move the levers or knobs to opposite extreme positions of their travel and then disconnect the white jumper. The blower will again change speeds, signaling that the lower limits have been learned and that the calibration procedure is complete.



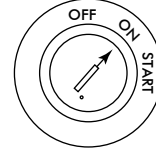


www.vintageair.com

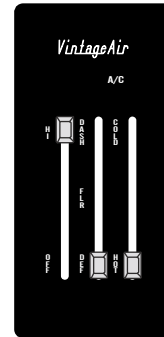
Control Panel Calibration Procedure (Cont.)

For proper operation of your system when installing this control panel, you must calibrate the system. Please follow the procedure below.

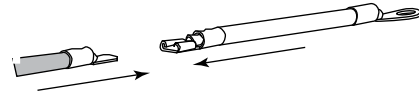
1. Turn on the ignition switch (Do not start the engine).



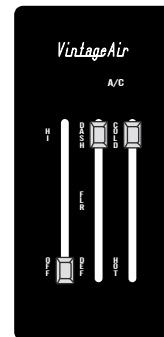
2. Move the control levers/knobs to the positions shown.



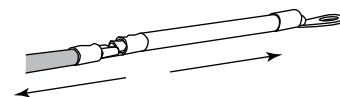
3. Connect the white jumper wire to the gray program wire. Wait for the blower speed to change (Approximately 5 seconds).



4. Move the control levers/knobs to the positions shown.



5. Disconnect the white jumper wire from the gray program wire. The blower speed will change, indicating completion of the calibration procedure.



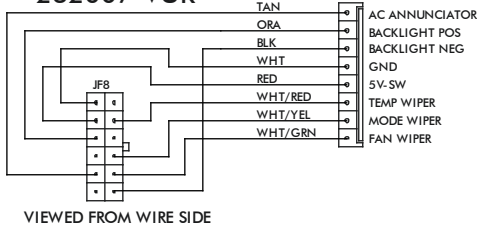
6. Confirm proper operation of controls. Repeat procedure if necessary. When finished, tape over program wire connector with electrical tape to prevent accidental contact with chassis ground.



www.vintageair.com

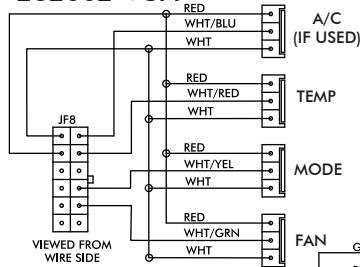
Wiring Diagram

232007-VUR



VIEWED FROM WIRE SIDE

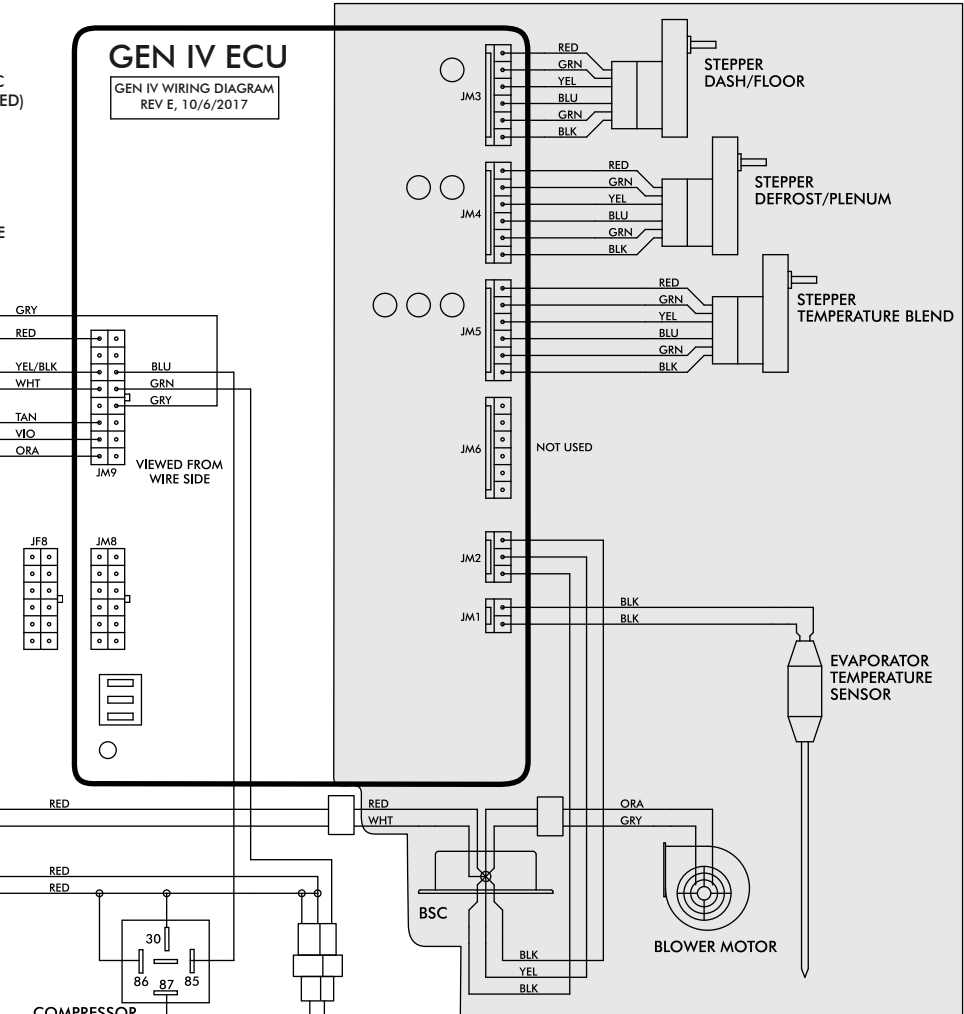
232002-VUA



VIEWED FROM WIRE SIDE

GEN IV ECU

GEN IV WIRING DIAGRAM
REV E, 10/6/2017



PRE-WIRED

PROGRAM

N/A

* DASH LAMP (IF USED)

*** WIDE OPEN THROTTLE SWITCH (OPTIONAL)

IGNITION SWITCH + 12v

** CIRCUIT BREAKER 30 AMP

COMPRESSOR RELAY

BINARY OR TRINARY SAFETY SWITCH

CMPR

HEATER CONTROL VALVE

NOTE: = CHASSIS GROUND

* Dash lamp is used only with type 232007-VUR harness.

** Warning: Always mount circuit breaker as close to the battery as possible. (NOTE: Wire between battery and circuit breaker is unprotected and should be carefully routed to avoid a short circuit).

*** Wide open throttle switch contacts close only at full throttle, which disables A/C compressor.



www.vintageair.com

Operation of Controls

On Gen IV systems with three lever/knob controls, the temperature control toggles between heat and A/C operations. To activate A/C, move the temperature lever/knob all the way to cold and then back it off to the desired vent temperature. For heat operation, move the temperature lever/knob all the way to hot and then adjust to the desired vent temperature. The blower will momentarily change speed, each time you toggle between operations, to indicate the change. **NOTE: For proper control panel function, refer to Pages 8 and 9 for calibration procedure.**

Blower Speed

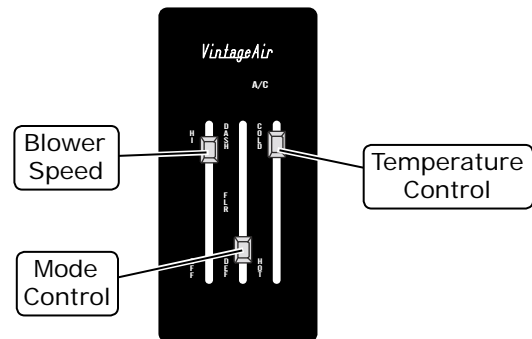
This lever/knob controls blower speed, from OFF to HI.

Mode Control

This lever/knob controls the mode positions, from DASH to FLOOR to DEFROST, with a blend in between.

Temperature Control

This lever/knob controls the temperature, from HOT to COLD.



A/C Operation

Blower Speed

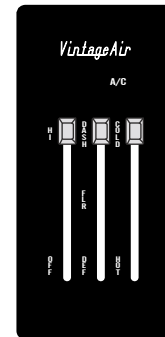
Adjust to desired speed.

Mode Control

Adjust to desired mode position (DASH position recommended).

Temperature Control

For A/C operation, adjust to coldest position to engage compressor (Adjust between HOT and COLD to reach desired temperature).



Heat Operation

Blower Speed

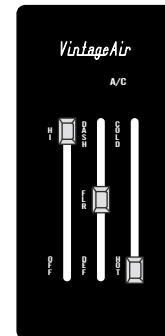
Adjust to desired speed.

Mode Control

Adjust to desired mode position (FLOOR position recommended).

Temperature Control

For maximum heating, adjust to hottest position (Adjust between HOT and COLD to reach desired temperature).



Defrost/De-fog Operation

Blower Speed

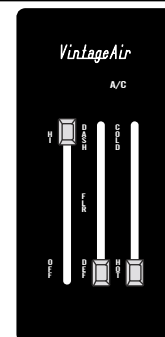
Adjust to desired speed.

Temperature Control

Adjust to desired temperature.

Mode Control

Adjust to DEFROST position for maximum defrost, or between FLOOR and DEFROST positions for a bi-level blend (Compressor is automatically engaged).



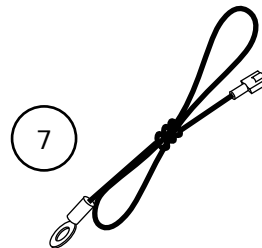
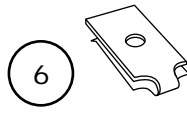
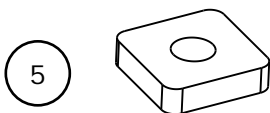
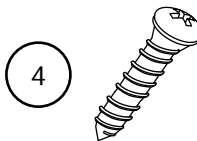
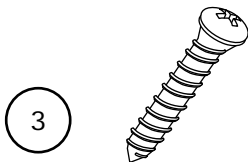
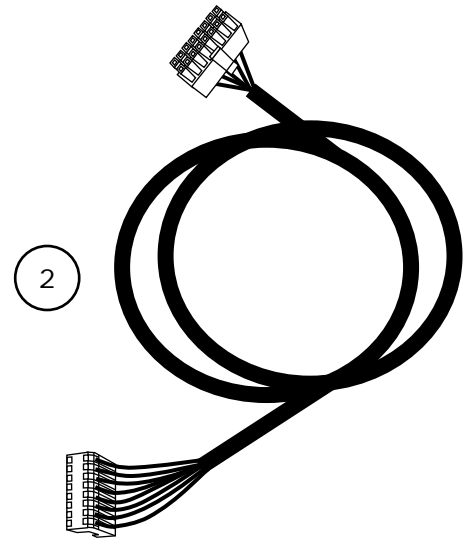
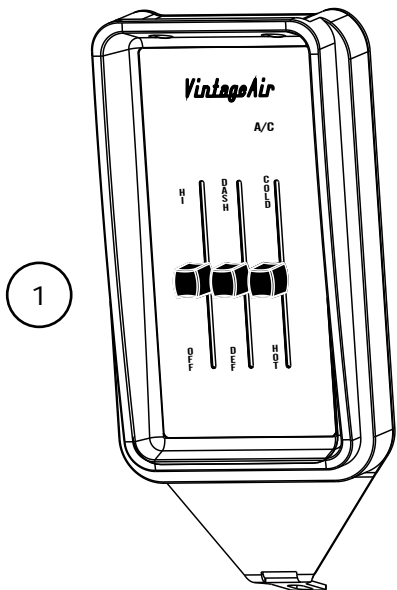


www.vintageair.com

Packing List: Control Panel Kit (473275)

| No. | Qty. | Part No. | Description |
|-----|------|------------|----------------------------------|
| 1. | 1 | 473082 | Control Panel Assembly, Chrome |
| 2. | 1 | 232007-VUR | Gen IV Universal Control Harness |
| 3. | 1 | 182390 | Screw, #8 x 1, Oval Head |
| 4. | 2 | 182467 | Screw, #8 x 3/4 Oval Head |
| 5. | 1 | 647013 | Spacer, Control Panel |
| 6. | 3 | 189801 | U-nut, #8 |
| 7. | 1 | 231520 | Ground Wire |

Checked By: _____
 Packed By: _____
 Date: _____





www.vintageair.com

Packing List: Control Panel Kit (473276)

| No. | Qty. | Part No. | Description |
|-----|------|------------|----------------------------------------|
| 1. | 1 | 473083 | Control Panel Assembly, Black Anodized |
| 2. | 1 | 232007-VUR | Gen IV Universal Control Harness |
| 3. | 1 | 182390 | Screw, #8 x 1, Oval Head |
| 4. | 2 | 182466 | Screw, #8 x 3/4 Oval Head |
| 5. | 1 | 647013 | Spacer, Control Panel |
| 6. | 3 | 189801 | U-nut, #8 |
| 7. | 1 | 231520 | Ground Wire |

Checked By: _____
Packed By: _____
Date: _____

