



an ISO 9001:2008 Registered Company

3 LEVER PANEL POLISHED

GEN IV
491230

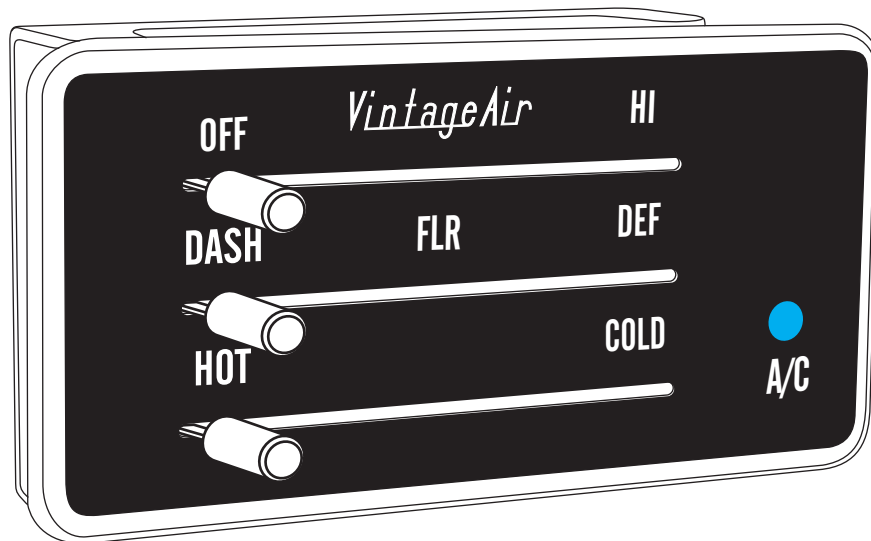




Table of Contents

PAGES

1. COVER
2. TABLE OF CONTENTS
3. PACKING LIST
4. LABEL INSTALLATION
5. CONTROL PANEL INSTALLATION
FIGURES 1 & 2
6. WIRING DIAGRAM
7. OPERATION OF CONTROLS (HORIZONTAL)
8. OPERATION OF CONTROLS (VERTICAL)
9. CONTROL PANEL KIT PACKING LIST

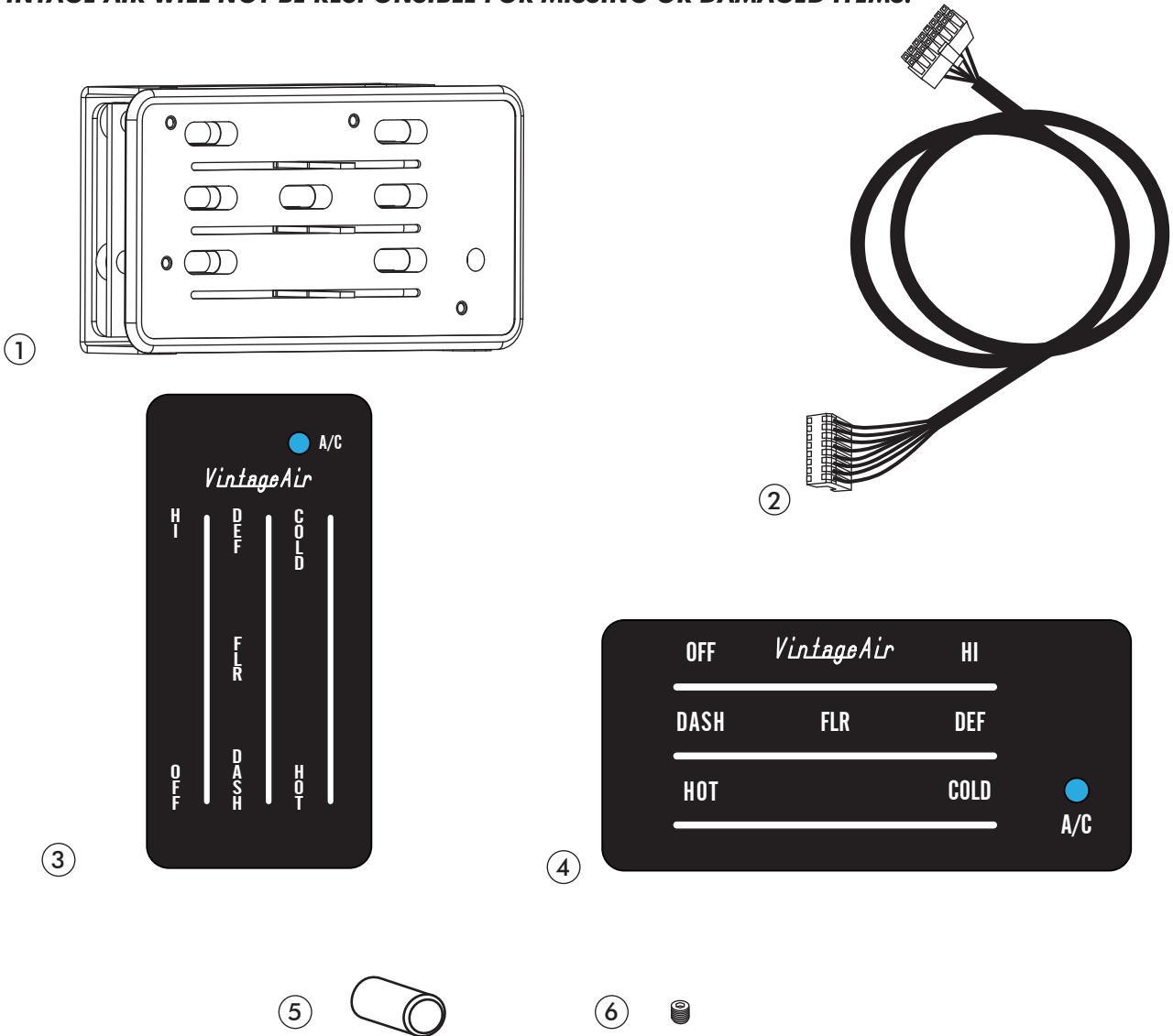


CONTROL KIT PACKING LIST

CONTROL KIT
491230

No	QTY	PART No.	DESCRIPTION
1.	1	493050	3 LEVER PANEL ASM POLISHED
2.	1	232007-VUR	GEN IV UNIVERSAL CONTROL HARNESS (TYPE C)
3.	1	484078	LABEL 3 LEVER VERTICAL MAGNUM
4.	1	484077	LABEL 3 LEVER HORIZ MAGNUM
5.	3	492007	STREAMLINE SLIDE POT KNOB POLISH
6.	3	183989	4-40 x 1/8" SET SCREW 18-8 SS

**** BEFORE BEGINNING INSTALLATION OPEN ALL PACKAGES AND CHECK CONTENTS OF SHIPMENT. PLEASE REPORT ANY SHORTAGES DIRECTLY TO VINTAGE AIR WITHIN 15 DAYS. AFTER 15 DAYS, VINTAGE AIR WILL NOT BE RESPONSIBLE FOR MISSING OR DAMAGED ITEMS.**



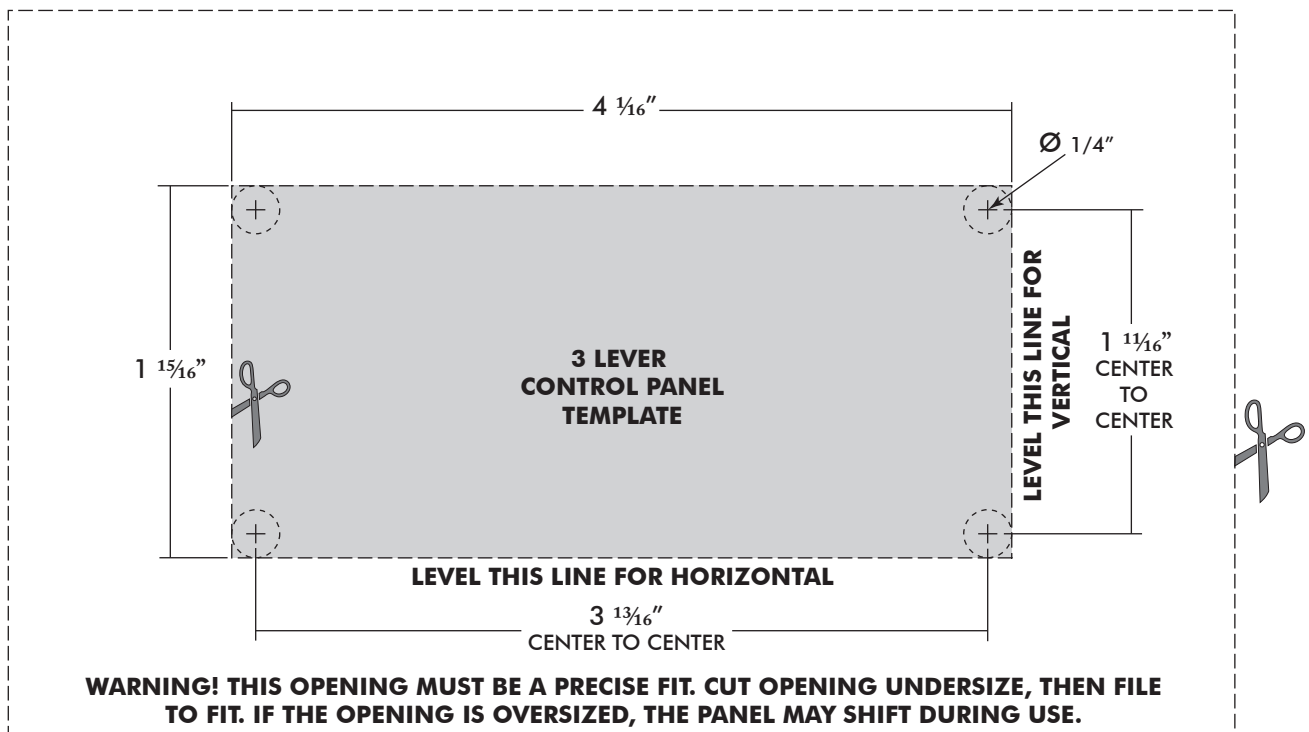
NOTE: IMAGES MAY NOT DEPICT ACTUAL PARTS AND QUANTITIES. REFER TO PACKING LIST FOR ACTUAL PARTS AND QUANTITIES



LABEL INSTALLATION

- DETERMINE THE ORIENTATION YOU WANT TO USE, HORIZONTAL OR VERTICAL AND INSTALL LABEL ON 3 LEVER PANEL ASM.
- INSTALL (3) KNOBS ON 3 LEVER PANEL ASM USING SET SCREWS AS SHOWN IN FIGURE 1, PAGE 5.
NOTE: IF MOUNTING IN VERTICAL CONFIGURATION, REPLACE BLACK OXIDE SET SCREW WITH (3) STAINLESS STEEL SET SCREWS, PART #183989. IF MOUNTING IN HORIZONTAL CONFIGURATION USE SET SCREWS INCLUDED WITH KNOBS.
- AFTER SELECTING THE ORIENTATION FOR THE PANEL, MASK THE AREA 2" (TALL) x 4 1/4" (WIDE) FOR HORIZONTAL, 4 1/4" (TALL) x 2" (WIDE) FOR VERTICAL.
- PLACE AND LEVEL TEMPLATE ONTO DASH TO CUT OUT OPENING.

WARNING! THIS OPENING MUST BE A PRECISE FIT. CUT OPENING UNDER SIZE, THEN FILE TO FIT. IF THE OPENING IS OVERSIZED, THE PANEL MAY SHIFT DURING USE.





CONTROL PANEL INSTALLATION

- INSTALL 3 LEVER PANEL ASM IN DASH BY PLACING CONTROL PANEL BRACKET BEHIND DASH AND SECURE TO THE 3 LEVER PANEL ASM USING 10-24 NYLON LOCKNUT. (SEE FIGURE 1 BELOW)
- PLUG CONTROL PANEL WIRING HARNESS INTO 3 LEVER PANEL ASM AND THE ECU ON EVAPORATOR AS SHOWN IN FIGURE 2 BELOW.
- WIRE ACCORDING TO WIRING DIAGRAM ON PAGE 6.

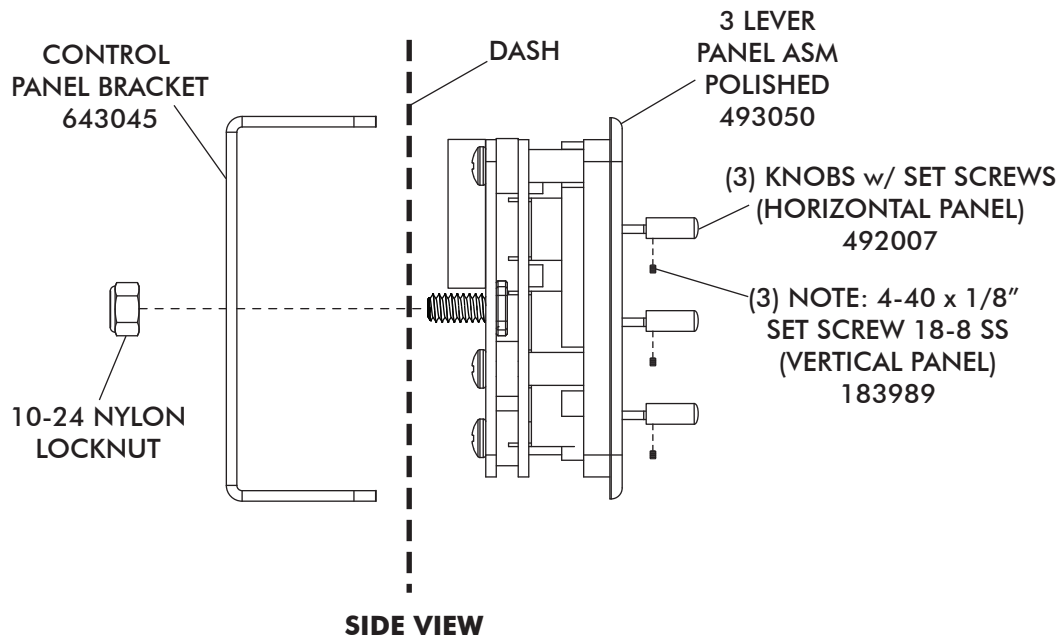
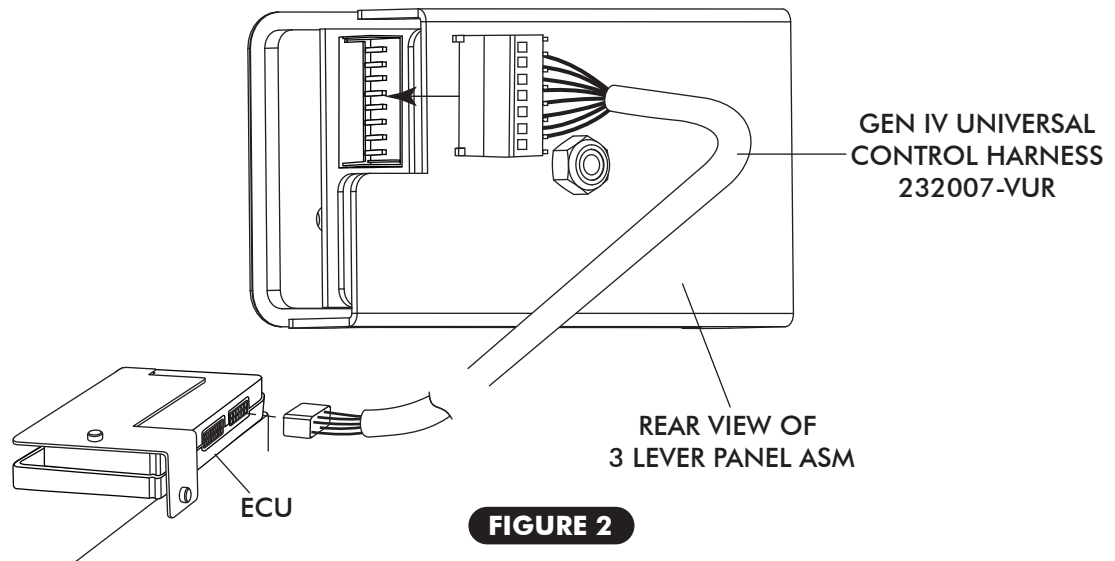


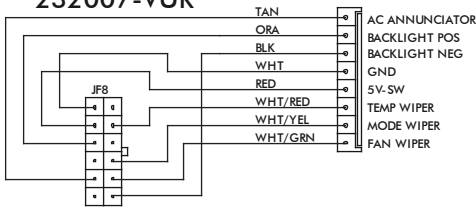
FIGURE 1





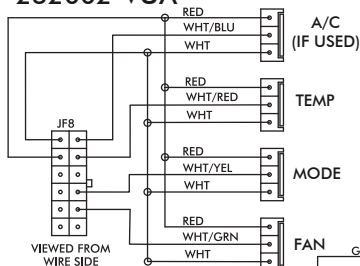
Wiring Diagram

232007-VUR

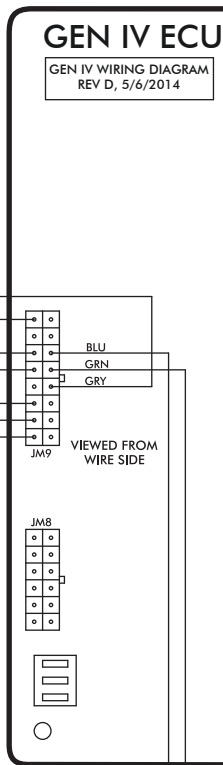


VIEWED FROM WIRE SIDE

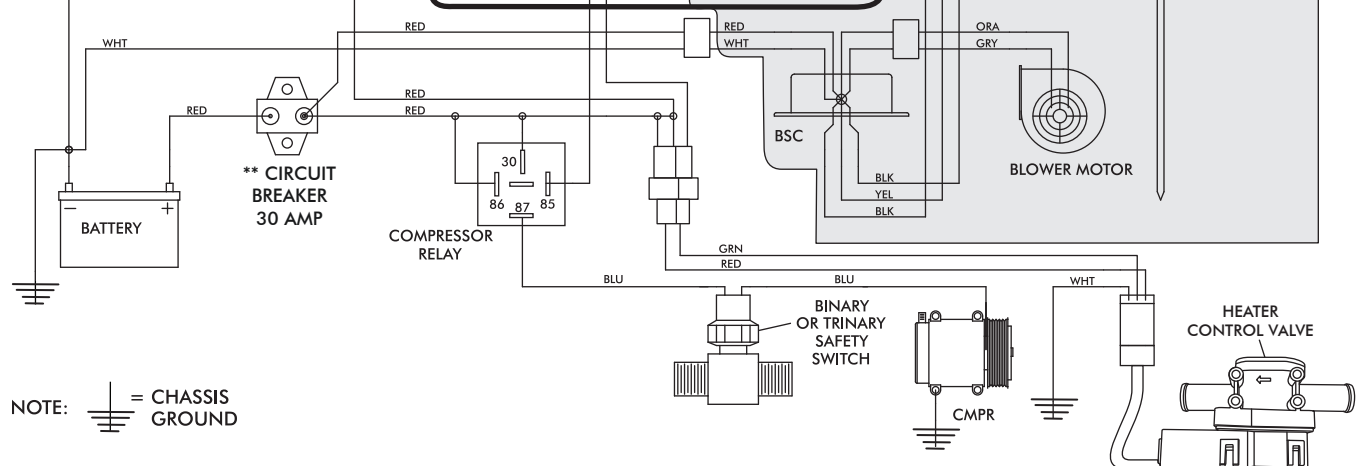
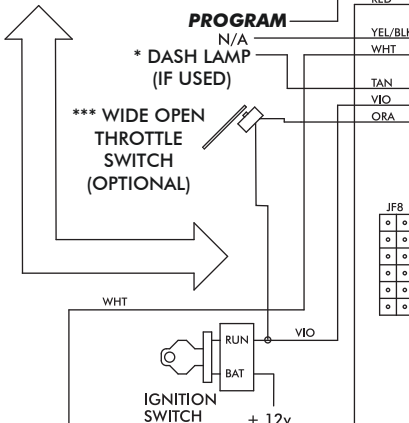
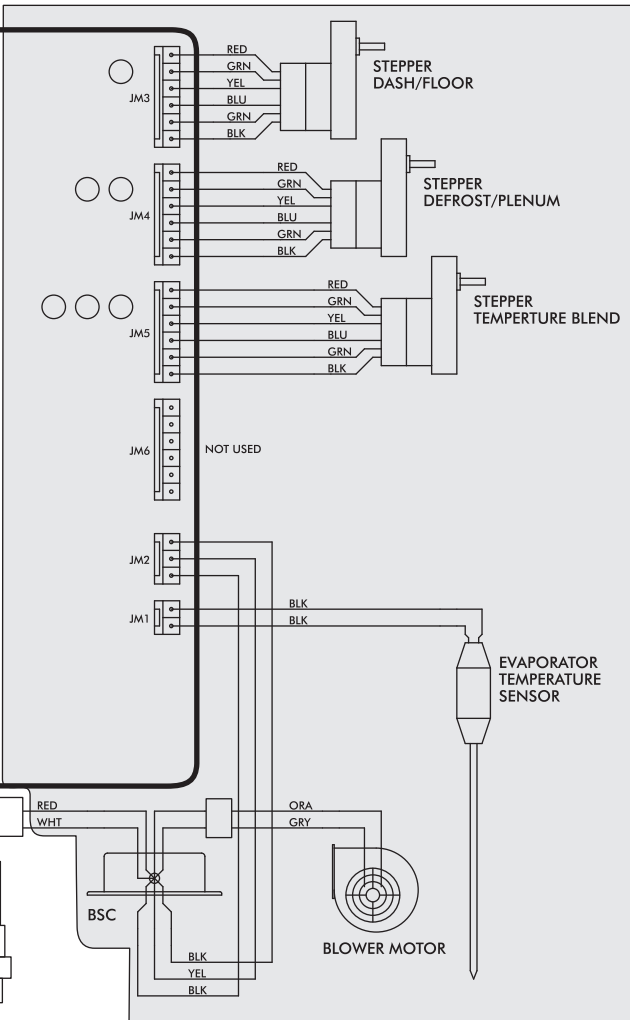
232002-VUA



VIEWED FROM WIRE SIDE



PRE-WIRED



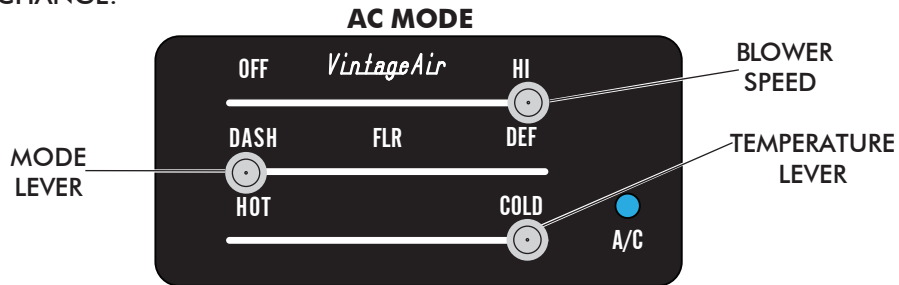
NOTE: = CHASSIS GROUND

- Dash Lamp Is Used Only With Type 232007-VUR Harness.
- Warning: Always Mount Circuit Breaker As Close to the Battery As Possible. (NOTE: Wire Between Battery and Circuit Breaker Is Unprotected and Should Be Carefully Routed to Avoid a Short Circuit).
- Wide Open Throttle Switch Contacts Close Only at Full Throttle, Which Disables A/C Compressor.



OPERATION OF CONTROLS (HORIZONTAL)

NOTE: ON GEN 4 SYSTEMS WITH THREE LEVER/KNOB CONTROLS, THE TEMPERATURE CONTROL TOGGLES BETWEEN ECONOMY AND A/C MODES. TO ACTIVATE A/C, MOVE THE TEMPERATURE LEVER ALL THE WAY TO COLD AND THEN BACK IT OFF TO THE DESIRED VENT TEMPERATURE. FOR ECONOMY/HEAT MODE, MOVE THE TEMPERATURE LEVER ALL THE WAY TO HOT AND THEN ADJUST TO THE DESIRED VENT TEMPERATURE. THE BLOWER WILL MOMENTARILY CHANGE SPEED EACH TIME YOU TOGGLE BETWEEN MODES TO INDICATE THE CHANGE.

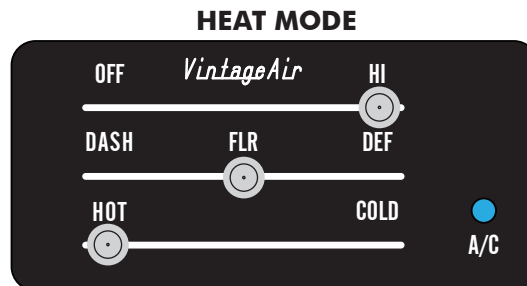


BLOWER SPEED
ADJUST TO DESIRED SPEED

MODE LEVER
SLIDE THE LEVER TO THE DASH POSITION

TEMPERATURE LEVER

IN A/C MODE SLIDE THE TEMPERATURE LEVER ALL THE WAY TO THE RIGHT TO ENGAGE COMPRESSOR. (SLIDE LEVER LEFT OR RIGHT TO ADJUST DESIRED TEMPERATURE)



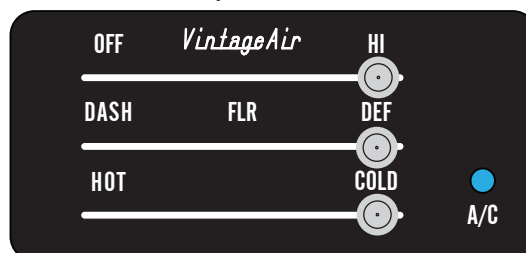
BLOWER SPEED
ADJUST TO DESIRED SPEED

MODE LEVER
SLIDE THE LEVER TO THE FLR POSITION

TEMPERATURE LEVER

SLIDE THE TEMPERATURE LEVER ALL THE WAY LEFT TO THE HOT POSITION. (SLIDE LEVER LEFT OR RIGHT TO DESIRED TEMPERATURE)

DEFROST/ DE-FOG MODE



BLOWER SPEED
ADJUST TO DESIRED SPEED

MODE LEVER
SLIDE THE LEVER TO THE DEF POSITION

TEMPERATURE LEVER

ADJUST LEVER TO DESIRED TEMPERATURE. (COMPRESSOR IS AUTOMATICALLY ENGAGED)



OPERATION OF CONTROLS (VERTICAL)

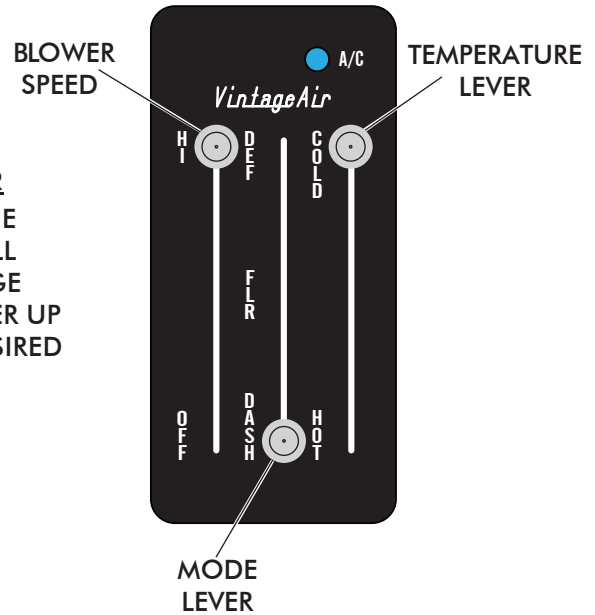
NOTE: ON GEN 4 SYSTEMS WITH THREE LEVER/KNOB CONTROLS, THE TEMPERATURE CONTROL TOGGLES BETWEEN ECONOMY AND A/C MODES. TO ACTIVATE A/C, MOVE THE TEMPERATURE LEVER ALL THE WAY TO COLD AND THEN BACK IT OFF TO THE DESIRED VENT TEMPERATURE. FOR ECONOMY/HEAT MODE, MOVE THE TEMPERATURE LEVER ALL THE WAY TO HOT AND THEN ADJUST TO THE DESIRED VENT TEMPERATURE. THE BLOWER WILL MOMENTARILY CHANGE SPEED EACH TIME YOU TOGGLE BETWEEN MODES TO INDICATE THE CHANGE.

BLOWER SPEED
ADJUST TO DESIRED SPEED

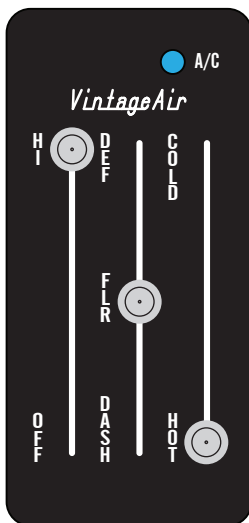
MODE LEVER
SLIDE THE LEVER TO THE DASH POSITION

TEMPERATURE LEVER
IN A/C MODE SLIDE THE TEMPERATURE LEVER ALL THE WAY UP TO ENGAGE COMPRESSOR. (SLIDE LEVER UP OR DOWN TO ADJUST DESIRED TEMPERATURE)

AC MODE



HEAT MODE

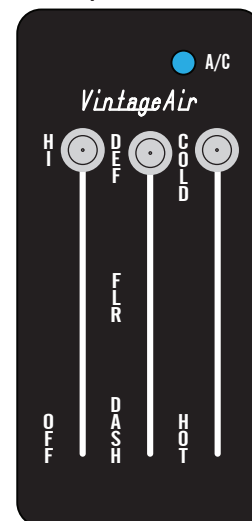


BLOWER SPEED
ADJUST TO DESIRED SPEED

MODE LEVER
SLIDE THE LEVER TO THE FLR POSITION

TEMPERATURE LEVER
SLIDE THE TEMPERATURE LEVER ALL THE WAY DOWN TO THE HOT POSITION. (SLIDE LEVER UP OR DOWN TO DESIRED TEMPERATURE)

DEFROST/ DE-FOG MODE



BLOWER SPEED
ADJUST TO DESIRED SPEED

MODE LEVER
SLIDE THE LEVER TO THE DEF POSITION

TEMPERATURE LEVER
ADJUST LEVER TO DESIRED TEMPERATURE. (COMPRESSOR IS AUTOMATICALLY ENGAGED)

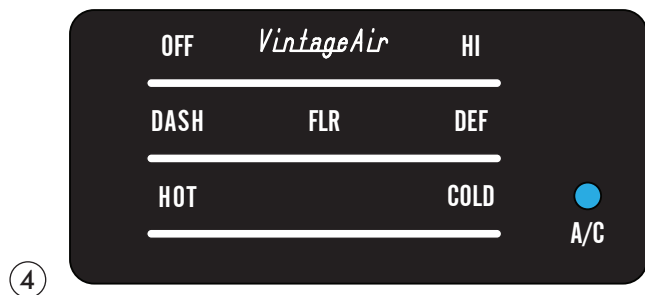
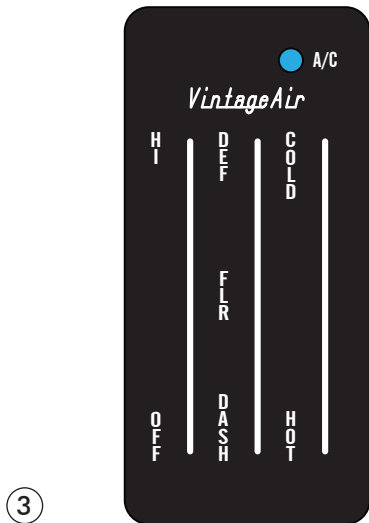
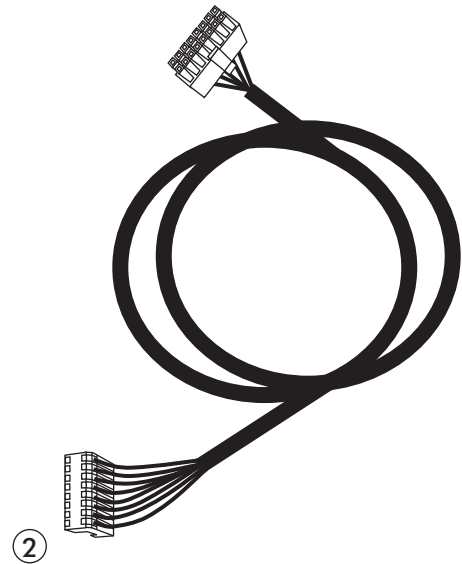
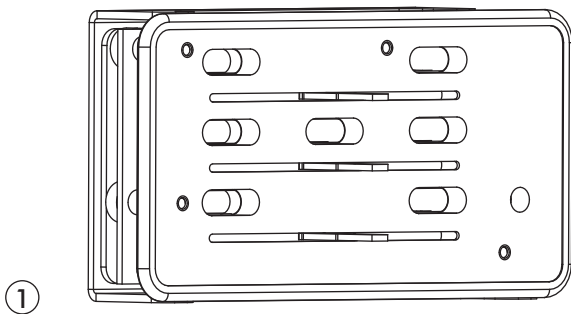


CONTROL KIT PACKING LIST

CONTROL KIT
491230

No	QTY	PART No.	DESCRIPTION
1.	1	493050	3 LEVER PANEL ASM POLISHED
2.	1	232007-VUR	GEN IV UNIVERSAL CONTROL HARNESS (TYPE C)
3.	1	484078	LABEL 3 LEVER VERTICAL MAGNUM
4.	1	484077	LABEL 3 LEVER HORIZ MAGNUM
5.	3	492007	STREAMLINE SLIDE POT KNOB POLISH
6.	3	183989	4-40 x 1/8" SET SCREW 18-8 SS

CHECKED BY: _____
 PACKED BY: _____
 DATE: _____



**NOTE: IMAGES MAY NOT DEPICT ACTUAL PARTS AND QUANTITIES.
 REFER TO PACKING LIST FOR ACTUAL PARTS AND QUANTITIES**