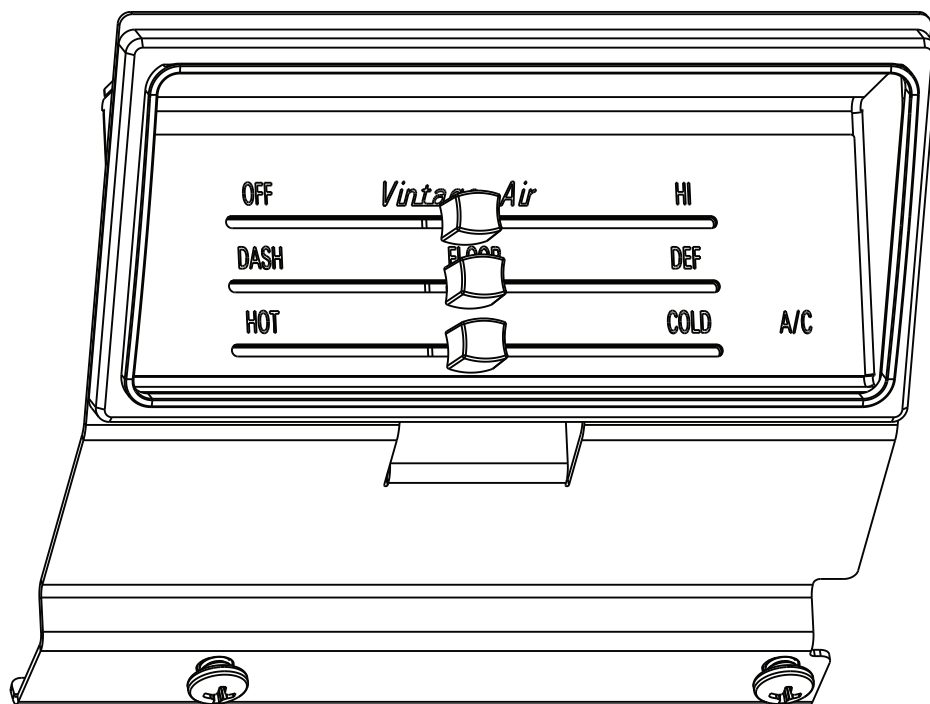




1966-67 Chevrolet Chevelle

without Factory Air
Control Panel Upgrade Kit
(491282)



18865 Goll St. San Antonio, TX 78266
Phone: 800-862-6658
Sales: sales@vintageair.com
Tech Support: tech@vintageair.com
www.vintageair.com



www.vintageair.com

Table of Contents

Cover.....	1
Table of Contents.....	2
Packing List/Parts Disclaimer.....	3
OEM Control Panel Removal, Control Panel Installation.....	4
Control Panel Installation (Cont.).....	5
Gen IV Wiring Diagram.....	6
Gen 5 Wiring Diagram.....	7
Operation of Controls.....	8
Packing List.....	9

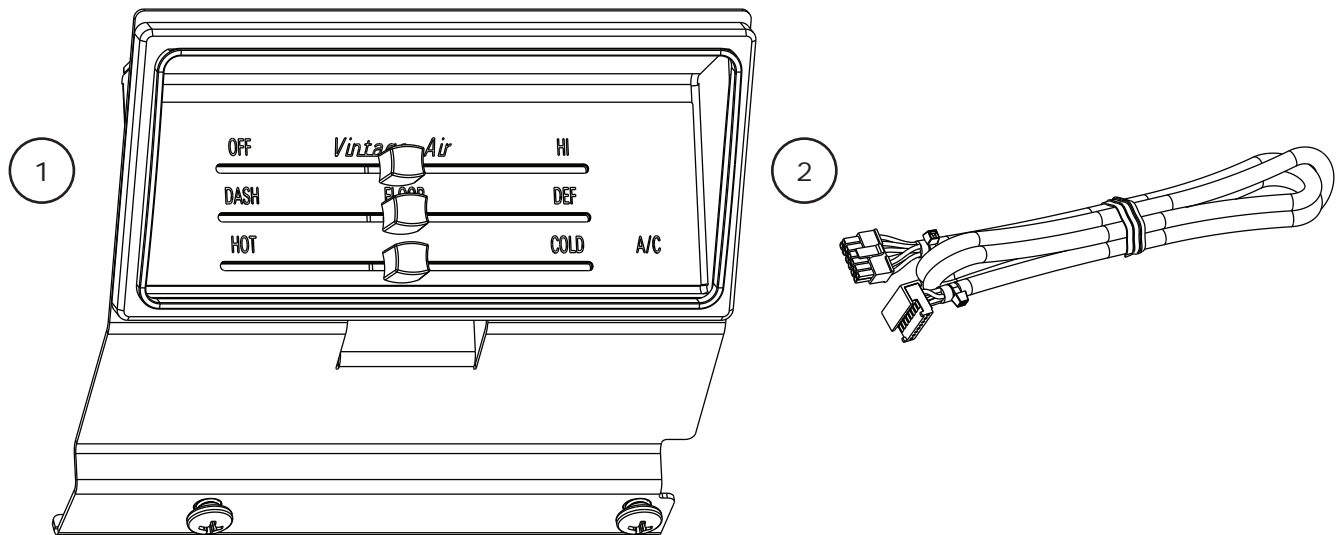


www.vintageair.com

Packing List: Control Panel Kit (491282)

No.	Qty.	Part No.	Description
1.	1	491281	Control Panel Assembly
2.	1	232007-VUR	Control Harness, Gen IV/Gen 5 Universal

**** Before beginning installation, open all packages and check contents of shipment.
Please report any shortages directly to Vintage Air within 15 days. After 15 days,
Vintage Air will not be responsible for missing or damaged items.**



**NOTE: Images may not depict actual parts and quantities.
Refer to packing list for actual parts and quantities.**



www.vintageair.com

OEM Control Panel Removal

1. Remove the (2) OEM screws from under the dash.
2. Disconnect the cables and wires from the back of the control panel.
3. Remove the control panel from the dash.

Control Panel Installation

1. Remove the (2) 1/4-20 x 3/4" pan head screws from the control panel assembly.
2. From behind the dash, place the control panel against the dash opening (See Figure 1, below).
3. While pressing the bezel firmly into the dash aperture, secure the control panel to the dash using (2) 1/4-20 x 3/4" pan head screws (See Figures 1 and 3, below). **NOTE: Top edge of dash opening to fit into control panel bezel groove (See Figure 2, below).**

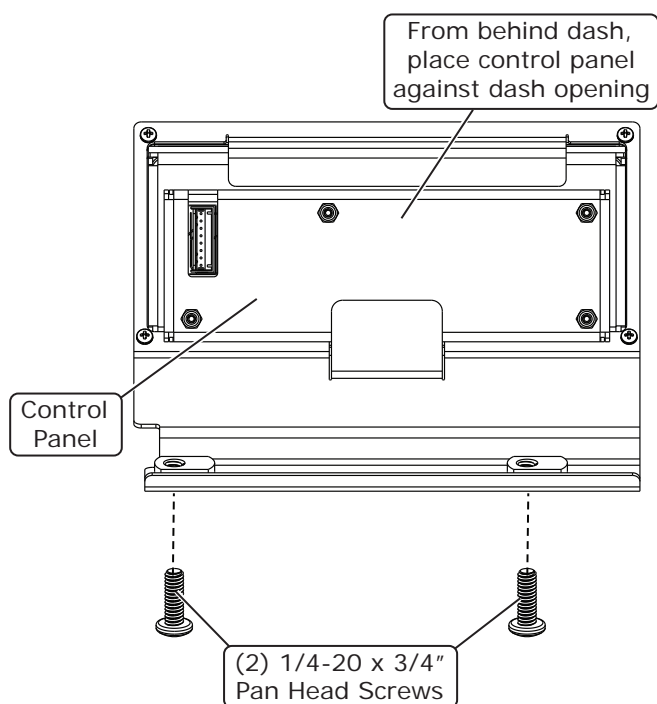


Figure 1

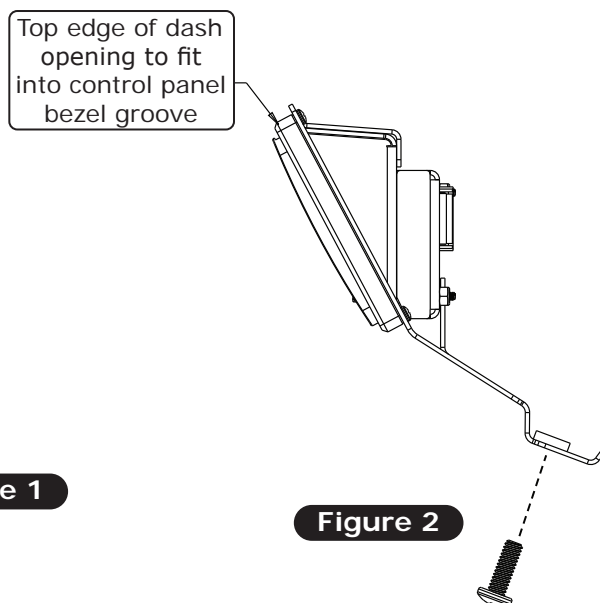


Figure 2

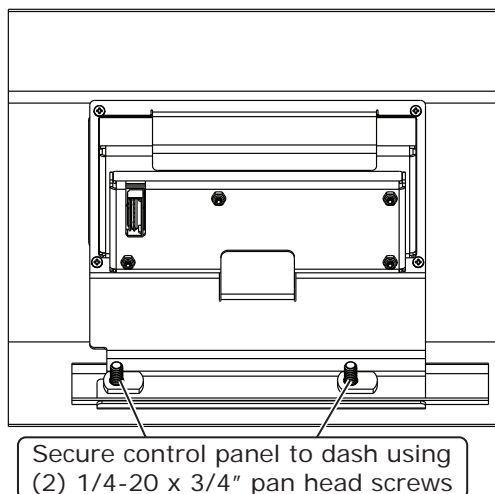


Figure 3

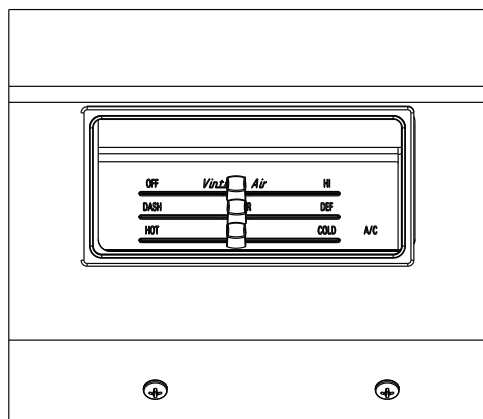


Figure 4



www.vintageair.com

Control Panel Installation (Cont.)

4. Plug the control harness into the ECU on the evaporator module as shown in Figure 5, below.
5. Plug the control harness into the back of the ECU on the control panel as shown in Figure 6, below.

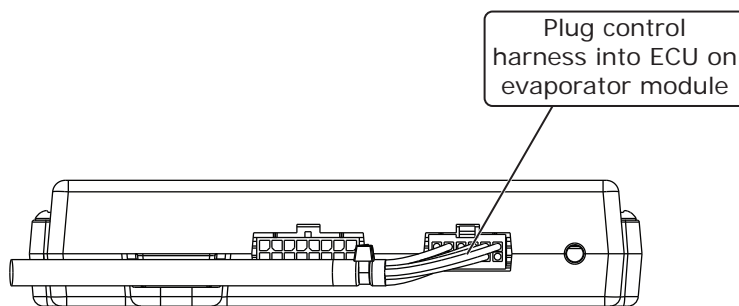


Figure 5

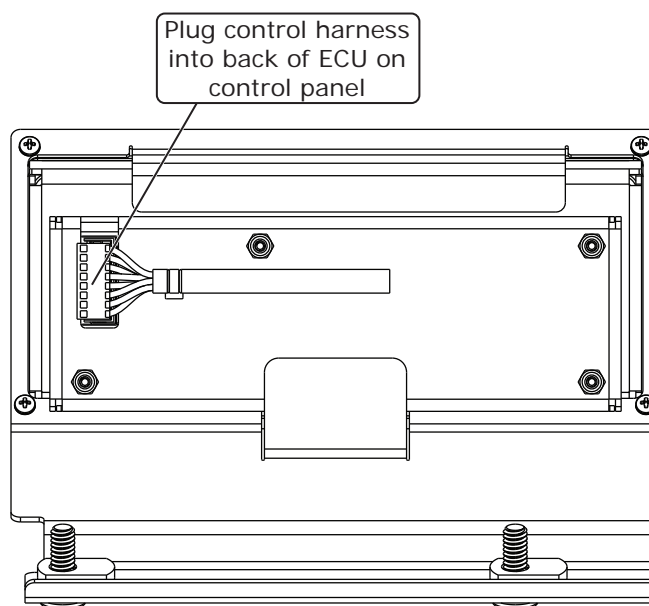


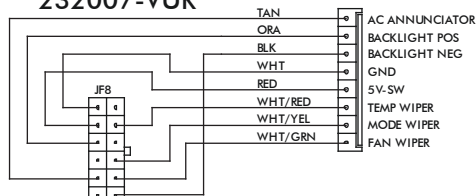
Figure 6



www.vintageair.com

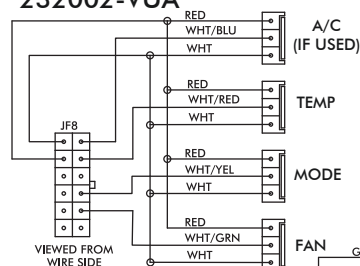
Gen IV Wiring Diagram

232007-VUR



VIEWED FROM WIRE SIDE

232002-VUA

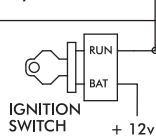


VIEWED FROM WIRE SIDE

PROGRAM

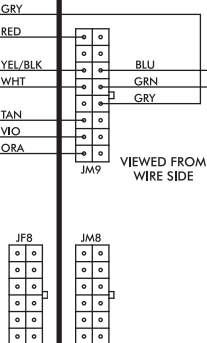
N/A
* DASH LAMP
(IF USED)

*** WIDE OPEN
THROTTLE
SWITCH
(OPTIONAL)



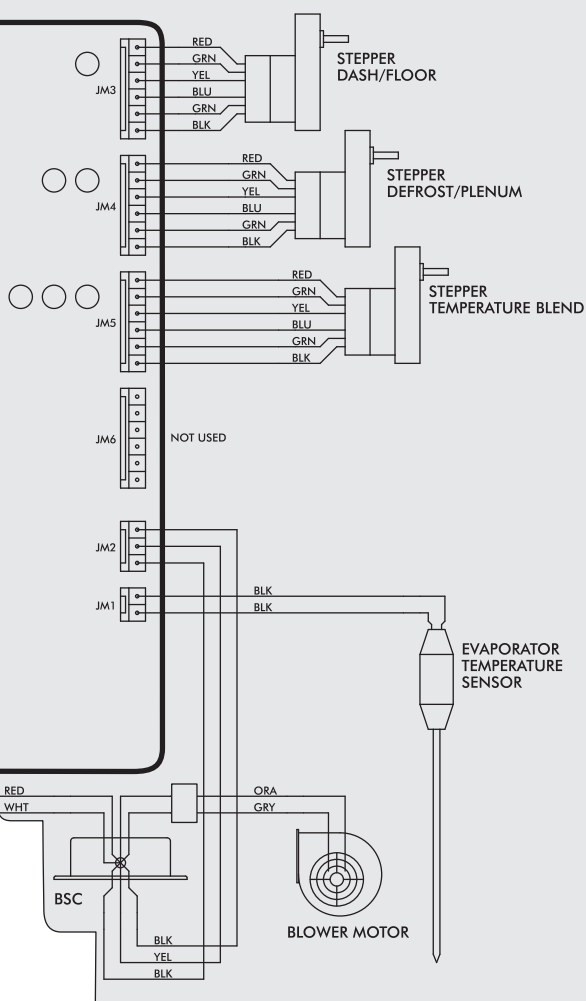
IGNITION SWITCH
+ 12v

GEN IV ECU



VIEWED FROM WIRE SIDE

PRE-WIRED



NOTE: = CHASSIS GROUND

* Dash lamp is used only with type 232007-VUR harness.

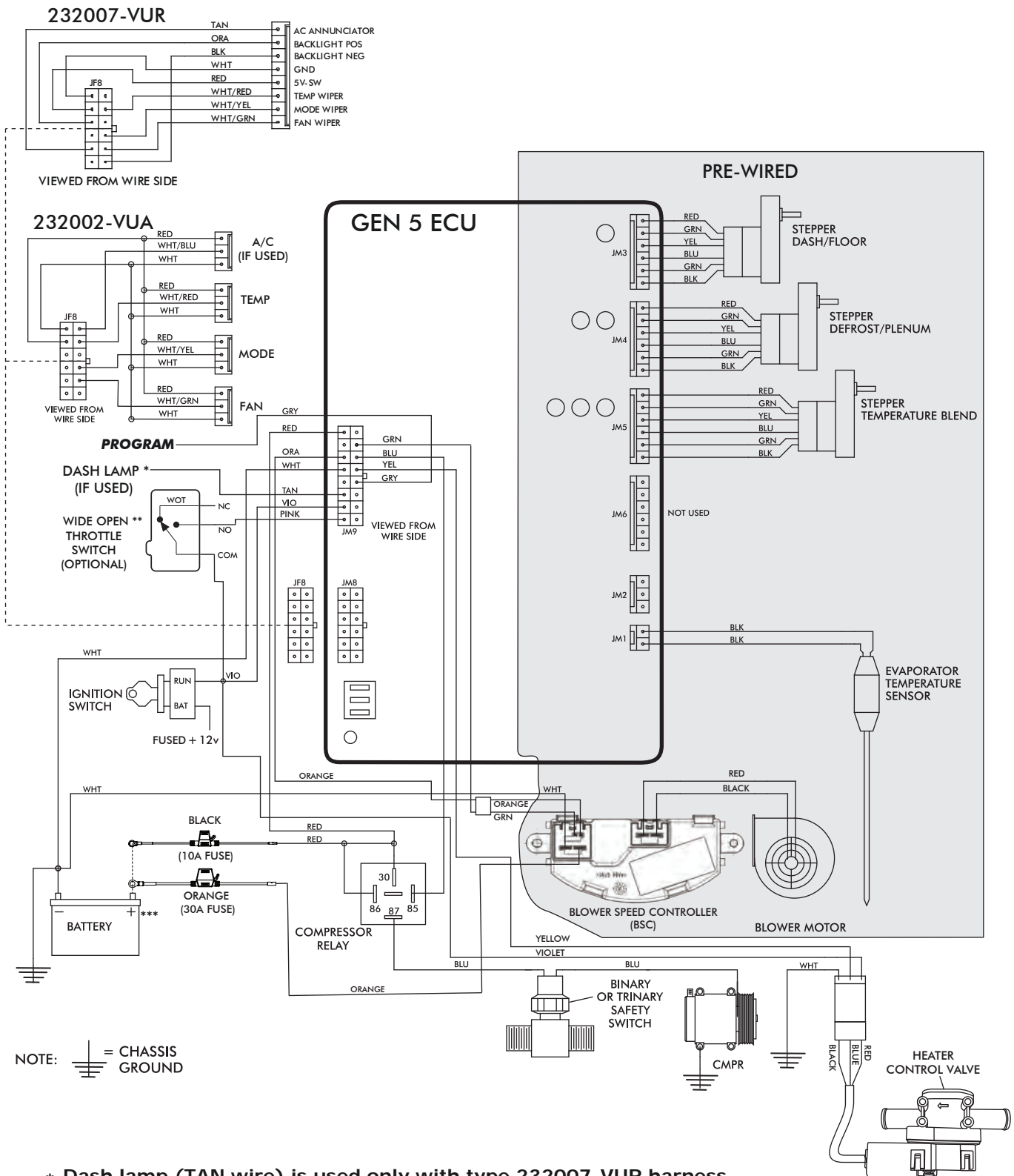
** Warning: Always mount circuit breaker as close to the battery as possible. (NOTE: Wire between battery and circuit breaker is unprotected and should be carefully routed to avoid a short circuit).

*** Wide open throttle switch contacts close only at full throttle, which disables A/C compressor.



www.vintageair.com

Gen 5 Wiring Diagram



* Dash lamp (TAN wire) is used only with type 232007-VUR harness.

** Wide open throttle switch contacts close only at full throttle, which disables A/C compressor.

*** Install fuse assemblies at or as near to the battery as possible.



www.vintageair.com

Operation of Controls

On Gen IV or Gen 5 systems with three lever/knob controls, the temperature control toggles between heat and A/C operations. To activate A/C, move the temperature lever/knob all the way to cold and then back it off to the desired vent temperature. For heat operation, move the temperature lever/knob all the way to hot and then adjust to the desired vent temperature. The blower will momentarily change speed, each time you toggle in and out of heat and A/C operations, to indicate the change.

Blower Speed

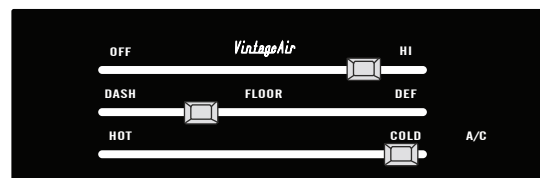
This lever/knob controls blower speed, from OFF to HI.

Mode Control

This lever/knob controls the mode positions, from DASH to FLOOR to DEFROST, with a blend in between.

Temperature Control

This lever/knob controls the temperature, from HOT to COLD.



A/C Operation

Blower Speed

Adjust to desired speed.

Mode Control

Adjust to desired mode position (DASH position recommended).

Temperature Control

For A/C operation, adjust to coldest position to engage compressor (Adjust between HOT and COLD to reach desired temperature).



Heat Operation

Blower Speed

Adjust to desired speed.

Mode Control

Adjust to desired mode position (FLOOR position recommended).

Temperature Control

For maximum heating, adjust to hottest position (Adjust between HOT and COLD to reach desired temperature).



Defrost/De-fog Operation

Blower Speed

Adjust to desired speed.

Temperature Control

Adjust to desired temperature.

Mode Control

Adjust to DEFROST position for maximum defrost, or between FLOOR and DEFROST positions for a bi-level blend (Compressor is automatically engaged).



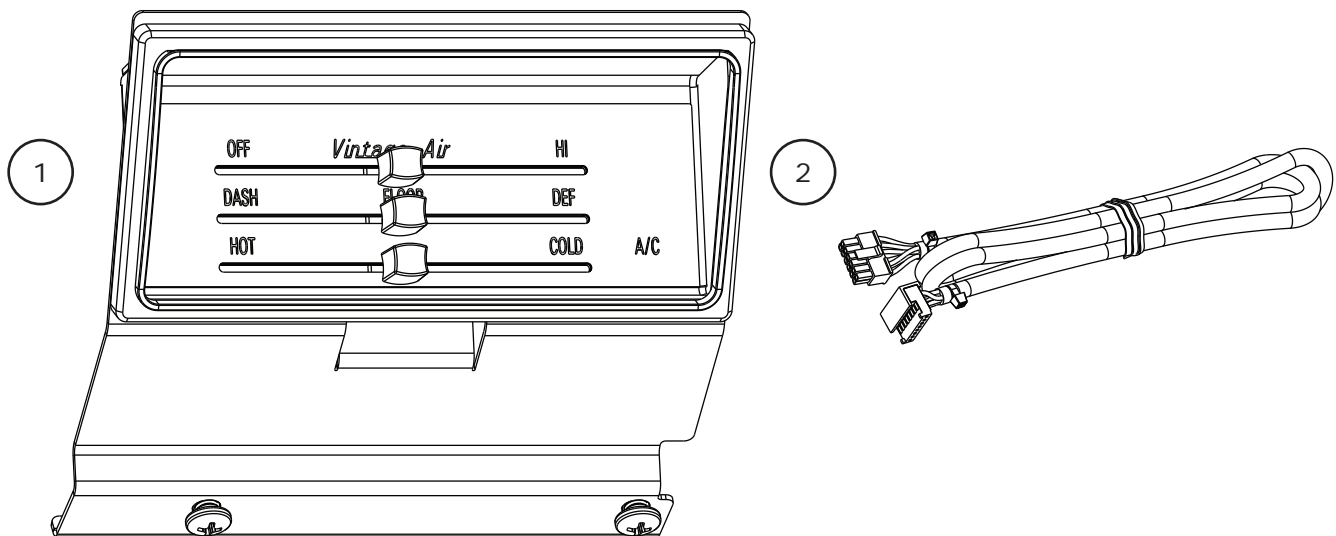


www.vintageair.com

Packing List: Control Panel Kit (491282)

No.	Qty.	Part No.	Description
1.	1	491281	Control Panel Assembly
2.	1	232007-VUR	Control Harness, Gen IV/Gen 5 Universal

Checked By: _____
Packed By: _____
Date: _____



NOTE: Images may not depict actual parts and quantities.
Refer to packing list for actual parts and quantities.