



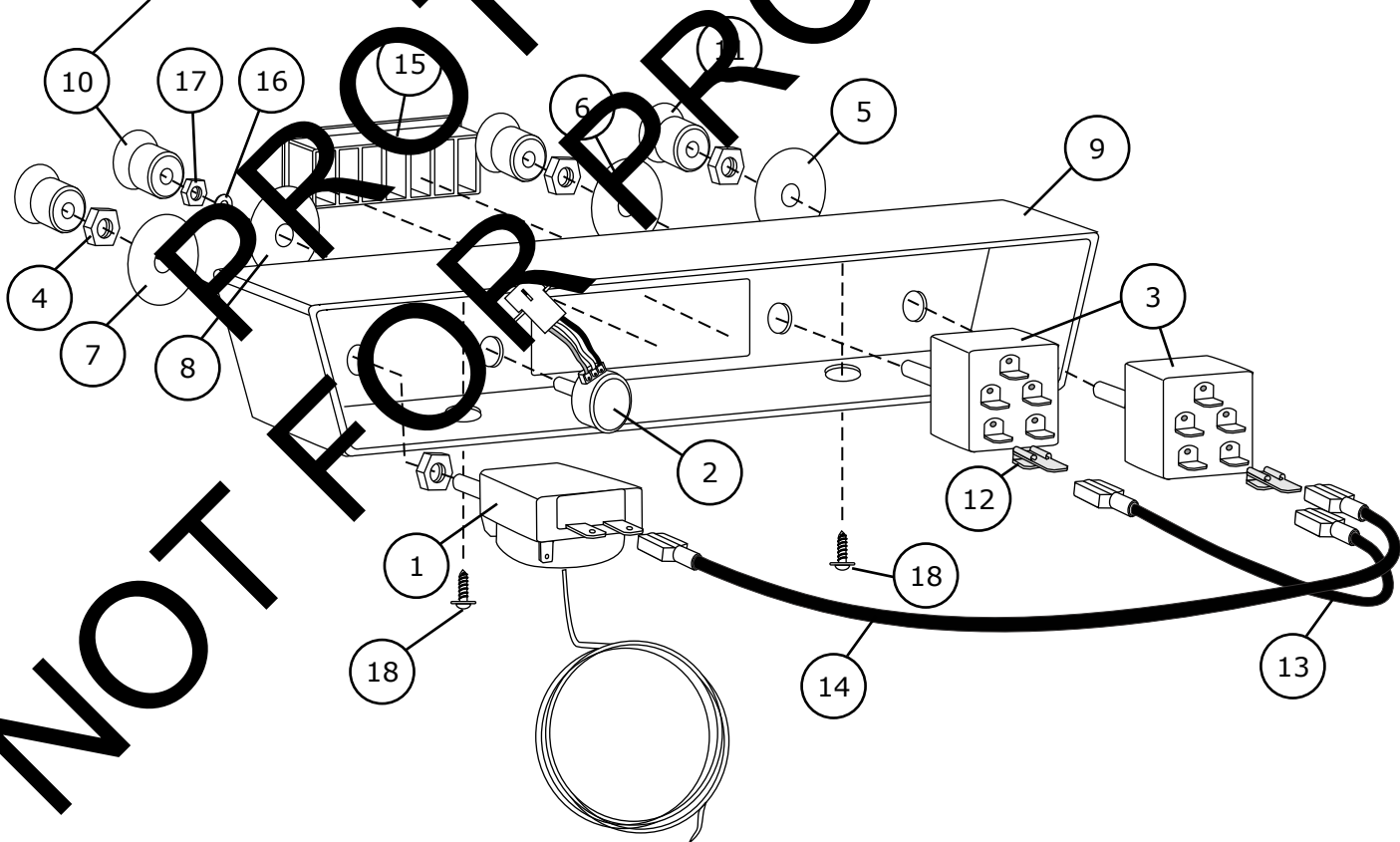
www.vintageair.com

Packing List: Rotary Control Panel (49205-RHA)

| No. | Qty. | Part No. | Description |
|-----|------|-----------|-----------------------------------|
| 1. | 1 | 11092-VUT | Thermostat, 48" Adjustable Rotary |
| 2. | 1 | 11413-RUA | Potentiometer, Rotary |
| 3. | 2 | 11458-VUS | Rotary Switch, 3-Speed |
| 4. | 4 | 18157-VUB | Shaft Nut, 7/16" |
| 5. | 1 | 20558-VUP | Label, Blower Speed |
| 6. | 1 | 20570-VUP | Label, Mode |
| 7. | 1 | 20571-VUP | Label, Thermostat |
| 8. | 1 | 20572-VUP | Label, Heat |
| 9. | 1 | 49205-RHI | Bezel with Louver, Gen II |
| 10. | 1 | 49219-VUI | Knob, Rotary Potentiometer |
| 11. | 3 | 49457-VUI | Knob, Control |
| 12. | 2 | 23123-VUW | Buddy Clip |
| 13. | 1 | 23139-VUW | Jumper Wire, 6" |
| 14. | 1 | 23138-VUW | Jumper Wire, 11" |
| 15. | 1 | 49057-VUL | Louver |
| 16. | 1 | 186890 | Flat Washer, Potentiometer |
| 17. | 1 | 186892 | Shaft Nut, Potentiometer |
| 18. | 2 | 182353 | Screw, #8 x 1/2", Wide Head |

Checked By: _____
Packed By: _____
Date: _____

NOTE: The heater control valve knob is retained by a 5/64" Allen screw.



**NOTE: Images may not depict actual parts and quantities.
Refer to packing list for actual parts and quantities.**