



www.vintageair.com

Slimline Under Dash Louver Kit (492090)

NOTE: The slimline louver, passenger- and driver-side bezels do not include mounting holes. Holes will need to be drilled based on the application. Hardware is included to install the louver bezels under the dash using OEM or new holes. The aluminum trim must be centered into the cavity of the bezel for the adhesive to properly bond. After installing the trim, use clamps to press the trim ends for at least 24 hours (See Photo 1, below). Use a piece of plastic or rubber between the clamps and the trim to prevent scratches (See Photo 1, below).

Adhesive application recommendations:

1. The bond strength is dependent upon the amount of adhesive-to-surface contact developed. Firm application pressure and moderate heat, from 100°F (38°C) to 130°F (54°C), will assist the adhesive in developing intimate contact with the bonding surface.
2. To obtain optimum adhesion, the bonding surfaces must be clean, dry and well unified. Some typical surface cleaning solvents are isopropyl alcohol or heptane.
3. Ideal tape application temperature range is 70°F to 100°F (21°C to 38°C). Initial tape application to surfaces at temperatures below 50°F(10°C) is not recommended because the adhesive becomes too firm to adhere readily. However, once properly applied, low temperature holding is generally satisfactory.

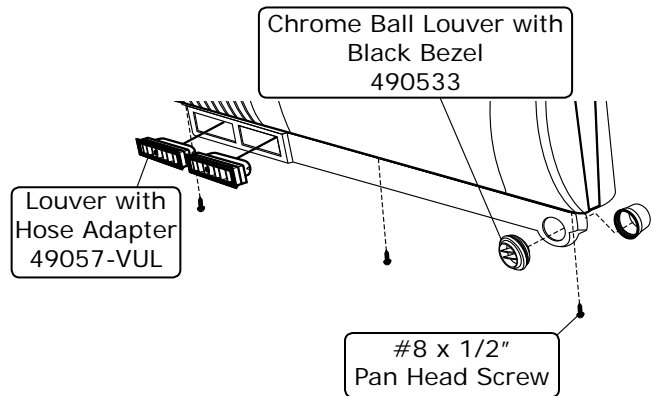


Use piece of plastic or rubber between clamps and trim

Photo 1



Final Installation



Packing List:

No.	Qty.	Part No.	Description
1.	1	621043	Louver Bezel, Passenger-Side
2.	1	621042	Louver Bezel, Driver-Side
3.	2	49057-VUL	Louver, with 2 1/2" Hose Adapter, 3.875" x 1.562"
4.	2	490533	Ball Louver with 2 1/2" Hose Adapter, Dual Vane, Black Bezel
5.	5	18235-VUB	Screw, #8 x 1/2", Pan Head
6.	1	641043	Aluminum Trim, Brushed
7.	5	182479	Screw, 10-24 x 1/2", Pan Head
8.	5	18260-VUB	Nut with Star Washer, #10-24, Hex

Checked By: _____
 Packed By: _____
 Date: _____



18865 Goll St. San Antonio, TX 78266 Phone: 800-862-6658 Sales: sales@vintageair.com
 Tech Support: tech@vintageair.com www.vintageair.com