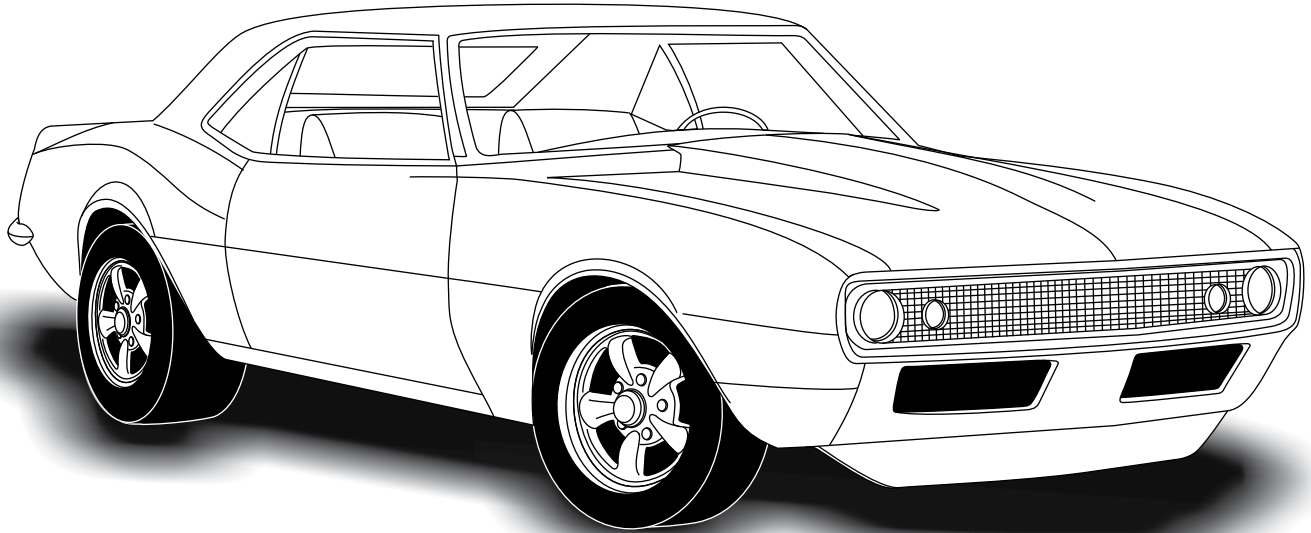




an ISO 9001:2015 Registered Company

1967-68 Chevrolet Camaro/ Pontiac Firebird

without Factory Air
**OEM Louver Kit
(49306-VCL)**



18865 Goll St. San Antonio, TX 78266
Phone: 800-862-6658
Sales: sales@vintageair.com
Tech Support: tech@vintageair.com
www.vintageair.com



www.vintageair.com

Table of Contents

Cover.....	1
Table of Contents.....	2
Packing List.....	3
Driver & Passenger Side Dash Modifications (1967 Models Only).....	4
Driver Side OEM Louver Installation, Passenger Side OEM Louver Installation.....	5
Packing List.....	6

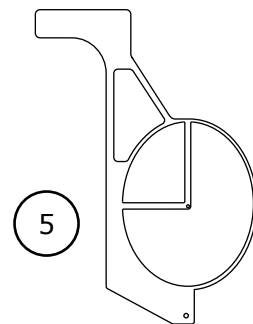
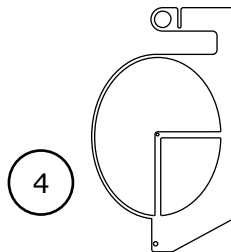
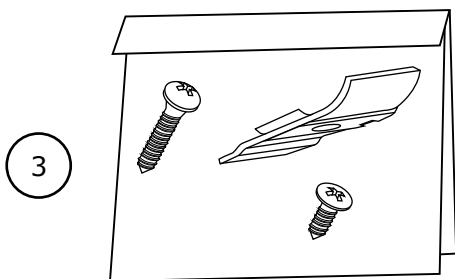
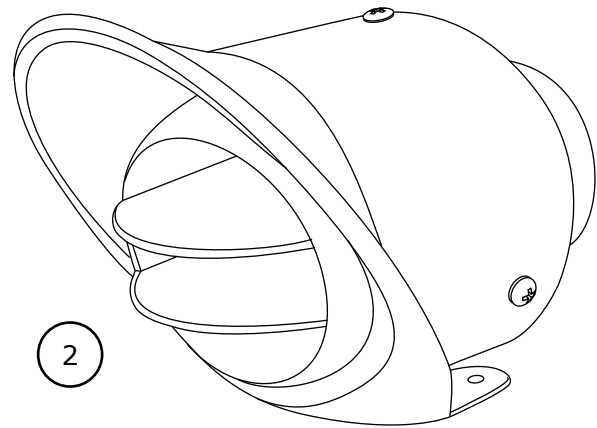
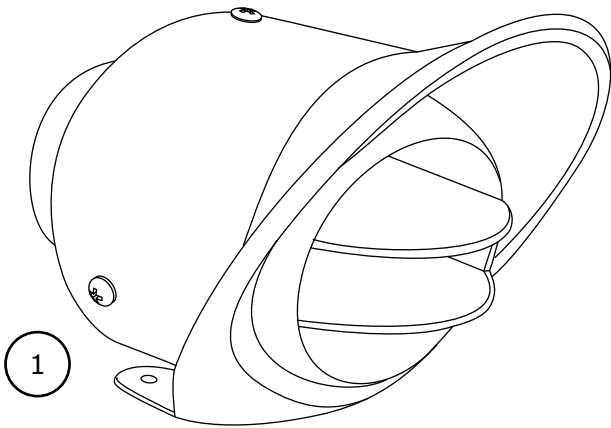


www.vintageair.com

Packing List: OEM Louver Kit (49306-VCL)

No.	Qty.	Part No.	Description
1.	1	493063	OEM Louver Assembly, Driver Side
2.	1	493064	OEM Louver Assembly, Passenger Side
3.	2	64070-VCB	OEM Louver Bracket
4.	1	640701	Template, Driver Side Louver
5.	1	640700	Template, Passenger Side Louver

**** Before beginning installation, open all packages and check contents of shipment.
Please report any shortages directly to Vintage Air within 15 days. After 15 days,
Vintage Air will not be responsible for missing or damaged items.**



**NOTE: Images may not depict actual parts and quantities.
Refer to packing list for actual parts and quantities.**

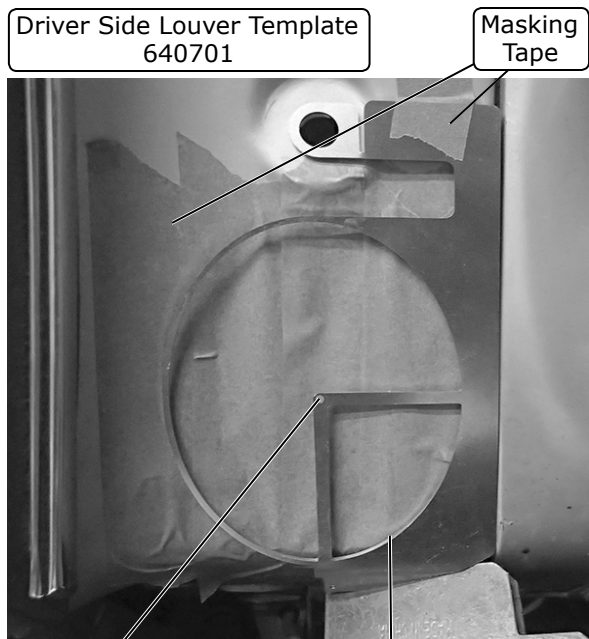


www.vintageair.com

Driver & Passenger Side Dash Modifications (1967 Models Only)

NOTE: To accommodate the driver and passenger side louvers, it will be necessary to modify the dash by cutting (2) holes using the templates provided with this kit. Scribe the dash around the outer part of the template holes as shown in Photos 1 & 2, below. To avoid scratching the paint, apply masking tape to the dash and templates.

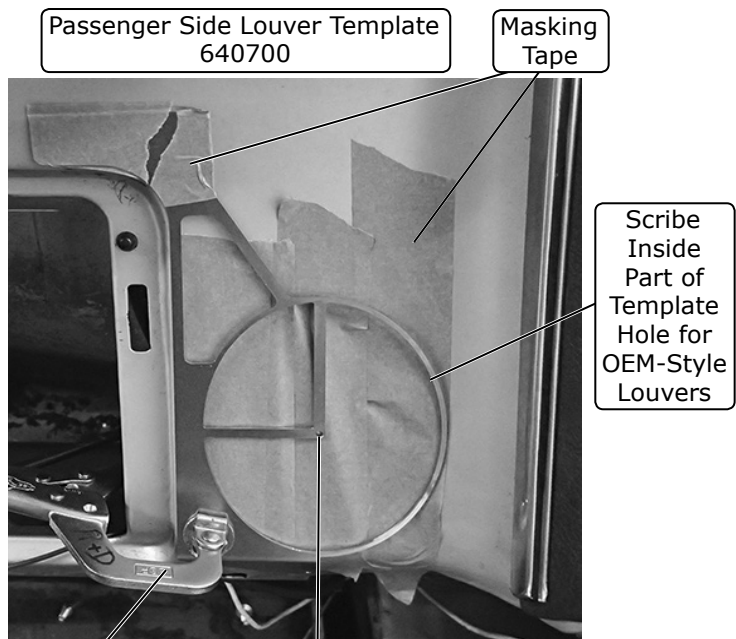
1. Place the driver and passenger side louver templates onto the dash (See Photos 1 & 2, below). Use a clamp to hold the templates in place (See Photo 2, below).
2. Press on the templates to conform them to the shape of the dash. Once the templates are in place, scribe the inside part of the template as shown in Photos 1 & 2, below. Once scribed, remove the templates from the dash.
3. Cut holes in the dash for the driver and passenger side louvers. **NOTE: Before cutting, check for and secure any wiring behind the dash.**



Not Used for This Application

Photo 1

Scribe Inside Part of Template Hole for OEM-Style Louvers



Not Used for This Application

Photo 2

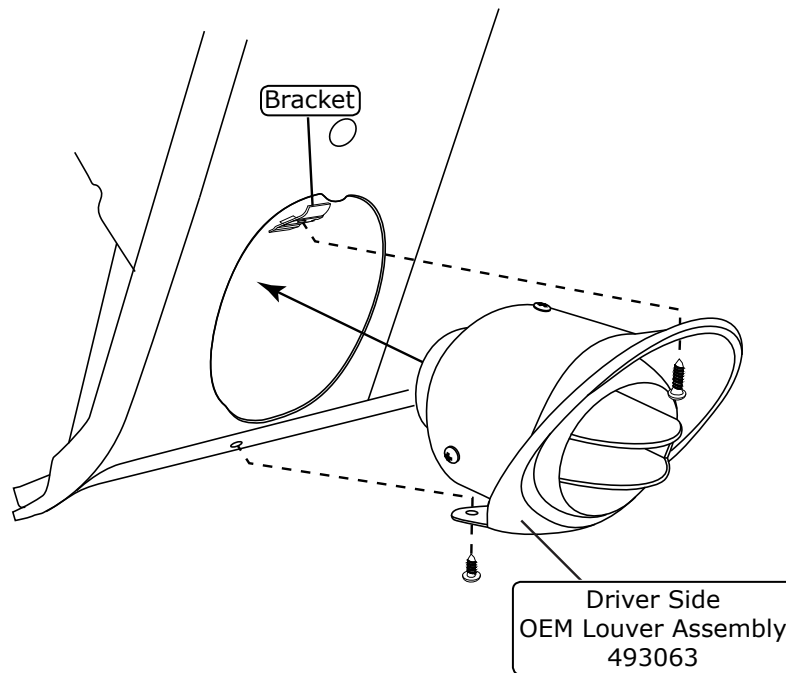


www.vintageair.com

Driver Side OEM Louver Installation

1. Install the driver side OEM louver assembly into the dash as shown in Figure 1, below.

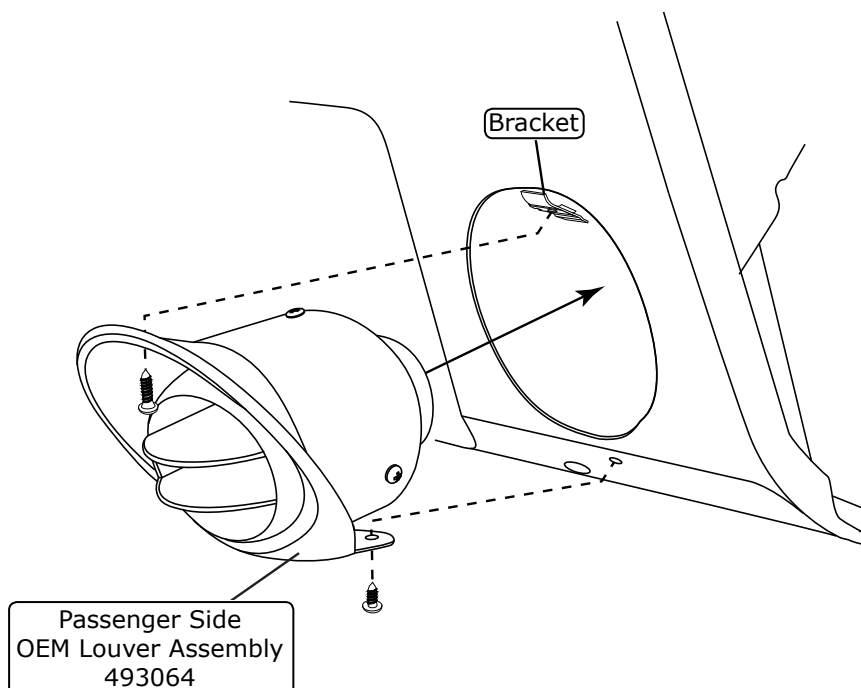
Figure 1



Passenger Side OEM Louver Installation

1. Install the passenger side OEM louver assembly into the dash as shown in Figure 2, below.

Figure 2



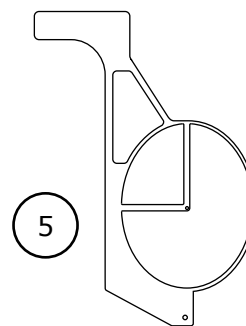
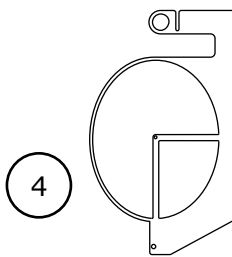
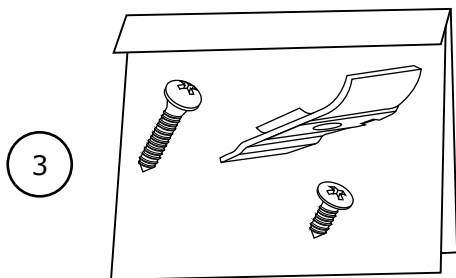
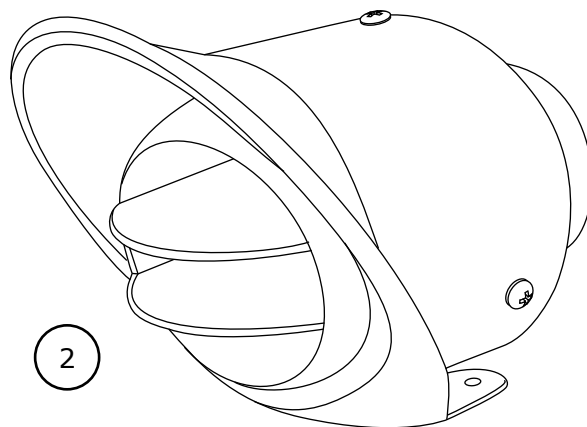
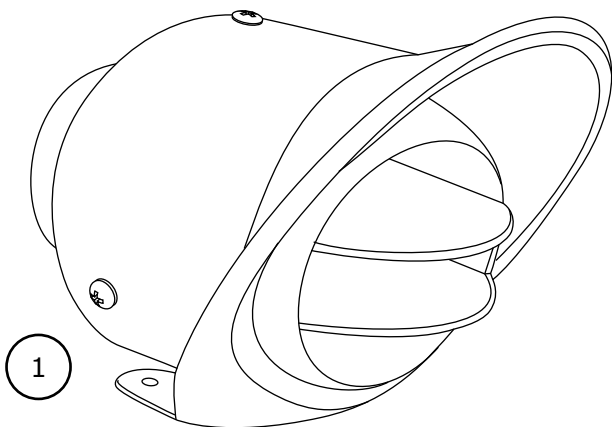


www.vintageair.com

Packing List: OEM Louver Kit (49306-VCL)

No.	Qty.	Part No.	Description
1.	1	493063	OEM Louver Assembly, Driver Side
2.	1	493064	OEM Louver Assembly, Passenger Side
3.	2	64070-VCB	OEM Louver Bracket
4.	1	640701	Template, Driver Side Louver
5.	1	640700	Template, Passenger Side Louver

Checked By: _____
Packed By: _____
Date: _____



**NOTE: Images may not depict actual parts and quantities.
Refer to packing list for actual parts and quantities.**