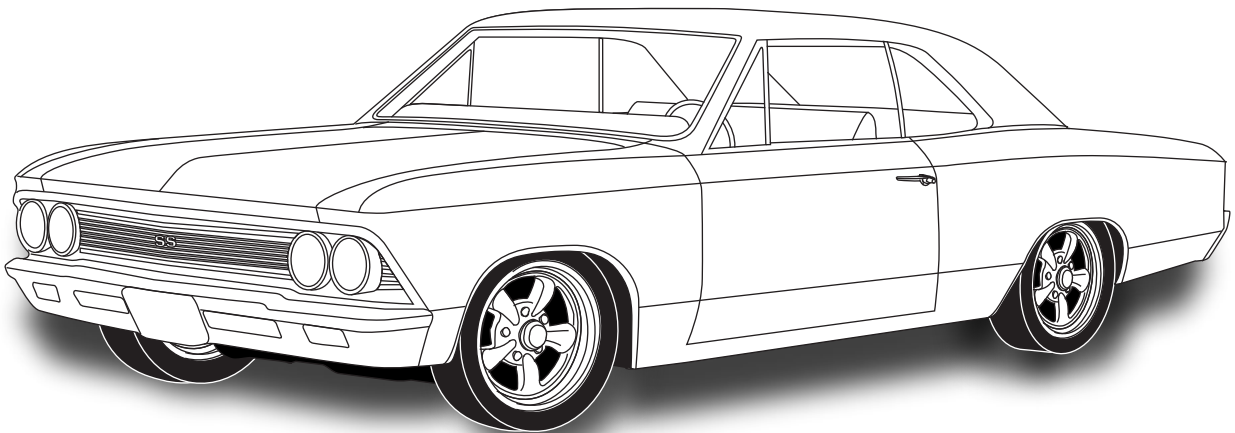




an ISO 9001:2008 Registered Company

1966-67 Chevrolet Chevelle

without **Factory Air**
OEM Louver Kit
(493062)



18865 Goll St. San Antonio, TX 78266
Phone: 800-862-6658
Sales: sales@vintageair.com
Tech Support: tech@vintageair.com
www.vintageair.com



www.vintageair.com

Table of Contents

Cover.....	1
Table of Contents.....	2
Packing List/Parts Disclaimer.....	3
Driver Side Louver Installation, Passenger Side Louver Installation.....	4
Driver Side Louver Template.....	5
Passenger Side Louver Template.....	6
Packing List.....	7

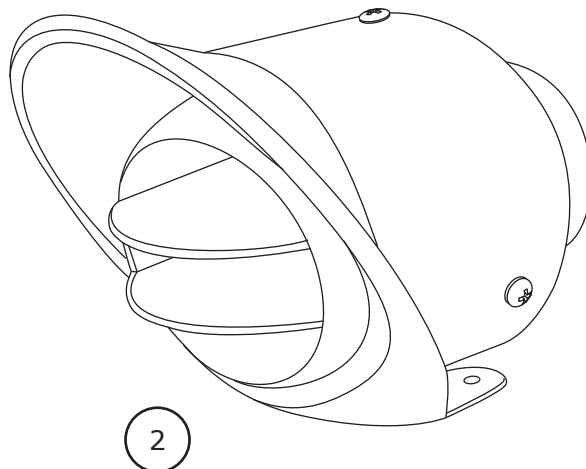
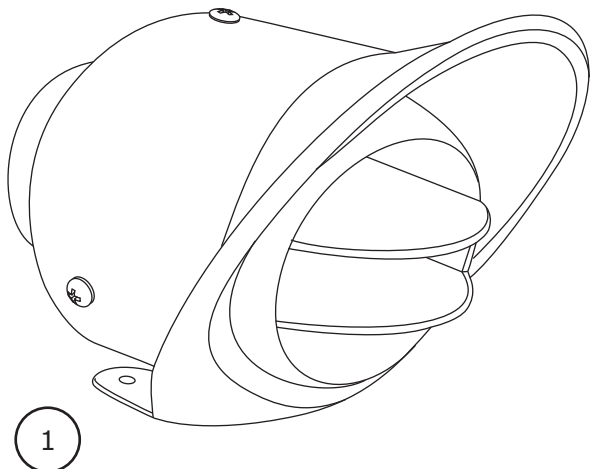


www.vintageair.com

Packing List: Louver Kit (493062)

No.	Qty.	Part No.	Description
1.	1	493063	Louver Assembly, OEM, Driver Side
2.	1	493064	Louver Assembly, OEM, Passenger Side
3.	4	182350	Screw, #8 x 5/8", Tap
4.	4	18979-VUB	J-Nut, #8

**** Before beginning installation, open all packages and check contents of shipment. Please report any shortages directly to Vintage Air within 15 days. After 15 days, Vintage Air will not be responsible for missing or damaged items.**



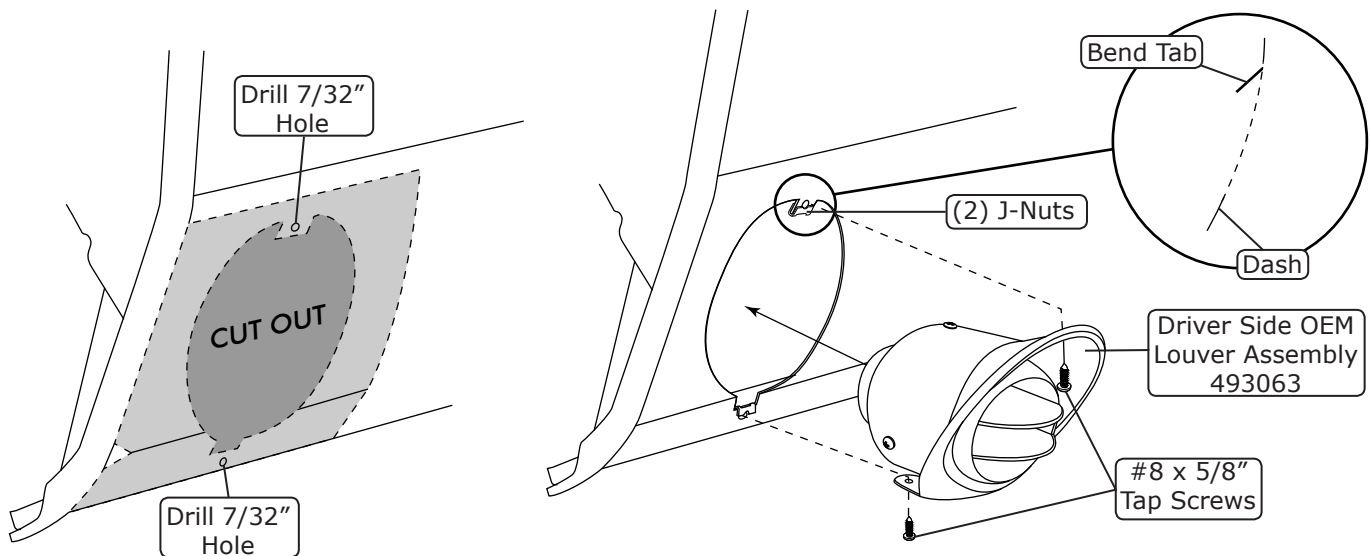
NOTE: Images may not depict actual parts and quantities. Refer to packing list for actual parts and quantities.



www.vintageair.com

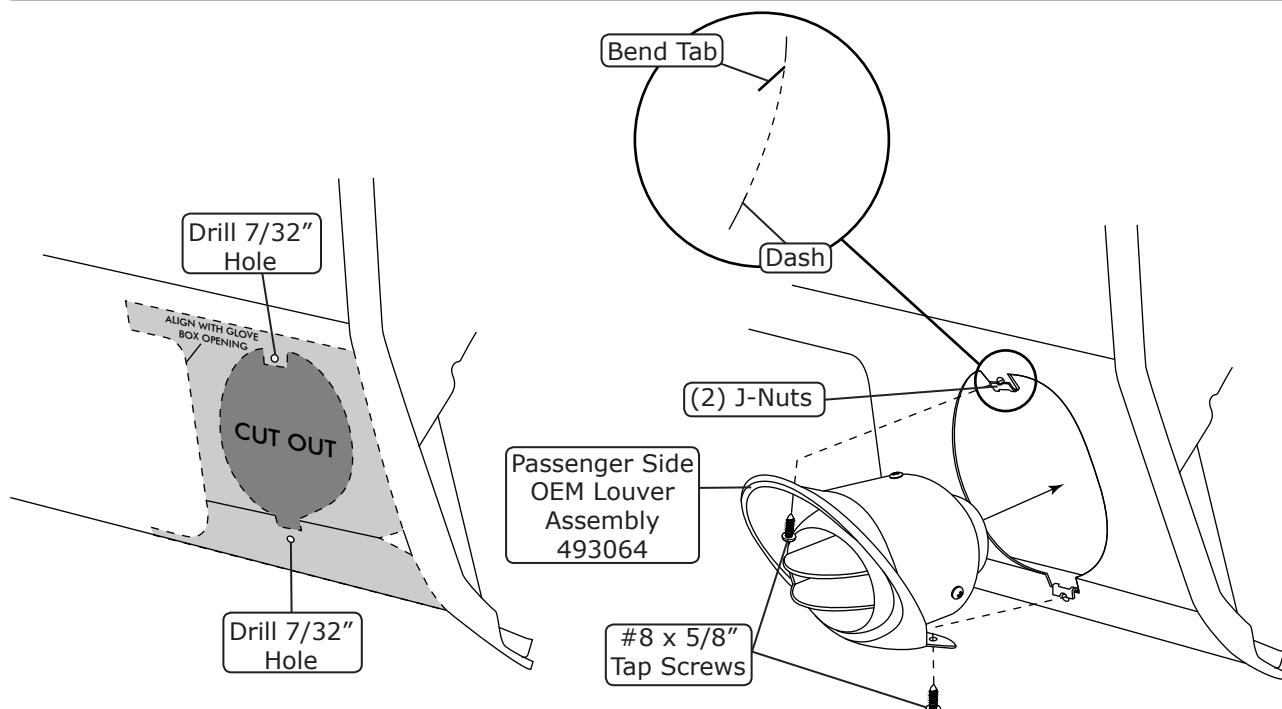
Driver Side Louver Installation

1. Using the template provided on Page 5, mark and cut the dash as shown below.
2. Install (2) J-nuts as shown below.
3. Install the louver into the dash using (2) #8 x 5/8" tap screws.
4. Bend back the tab 15 degrees or as needed to mount the louver flush against the dash.



Passenger Side Louver Installation

1. Using the template provided on Page 6, mark and cut the dash as shown below.
2. Install (2) J-nuts as shown below.
3. Install the louver into the dash using (2) #8 x 5/8" tap screws.
4. Bend back the tab 15 degrees or as needed to mount the louver flush against the dash.

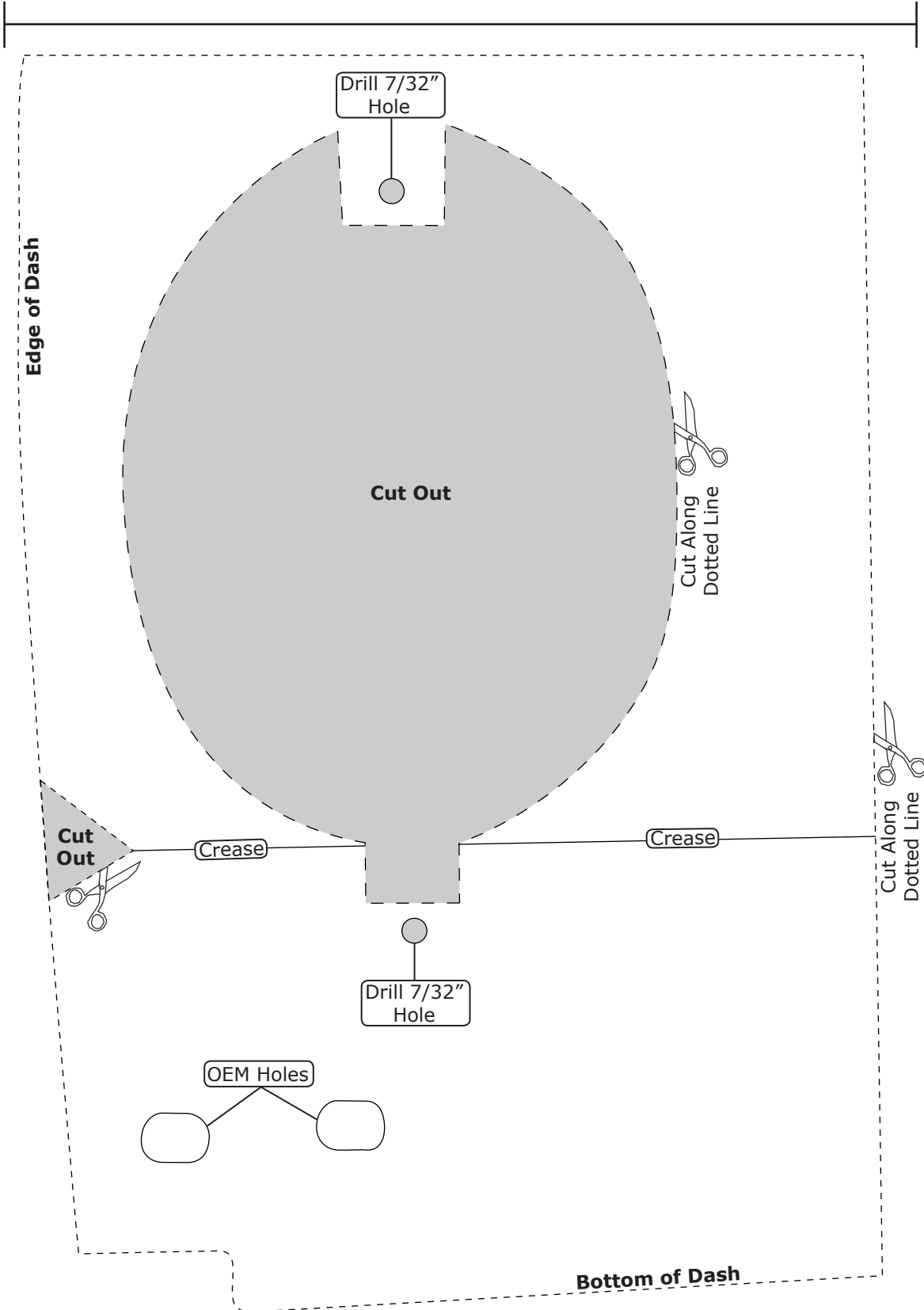




www.vintageair.com

Driver Side Louver Template

NOTE: Due to printing variances, measure the line below before using this template. If template is scaled properly, the line should measure 6 inches.

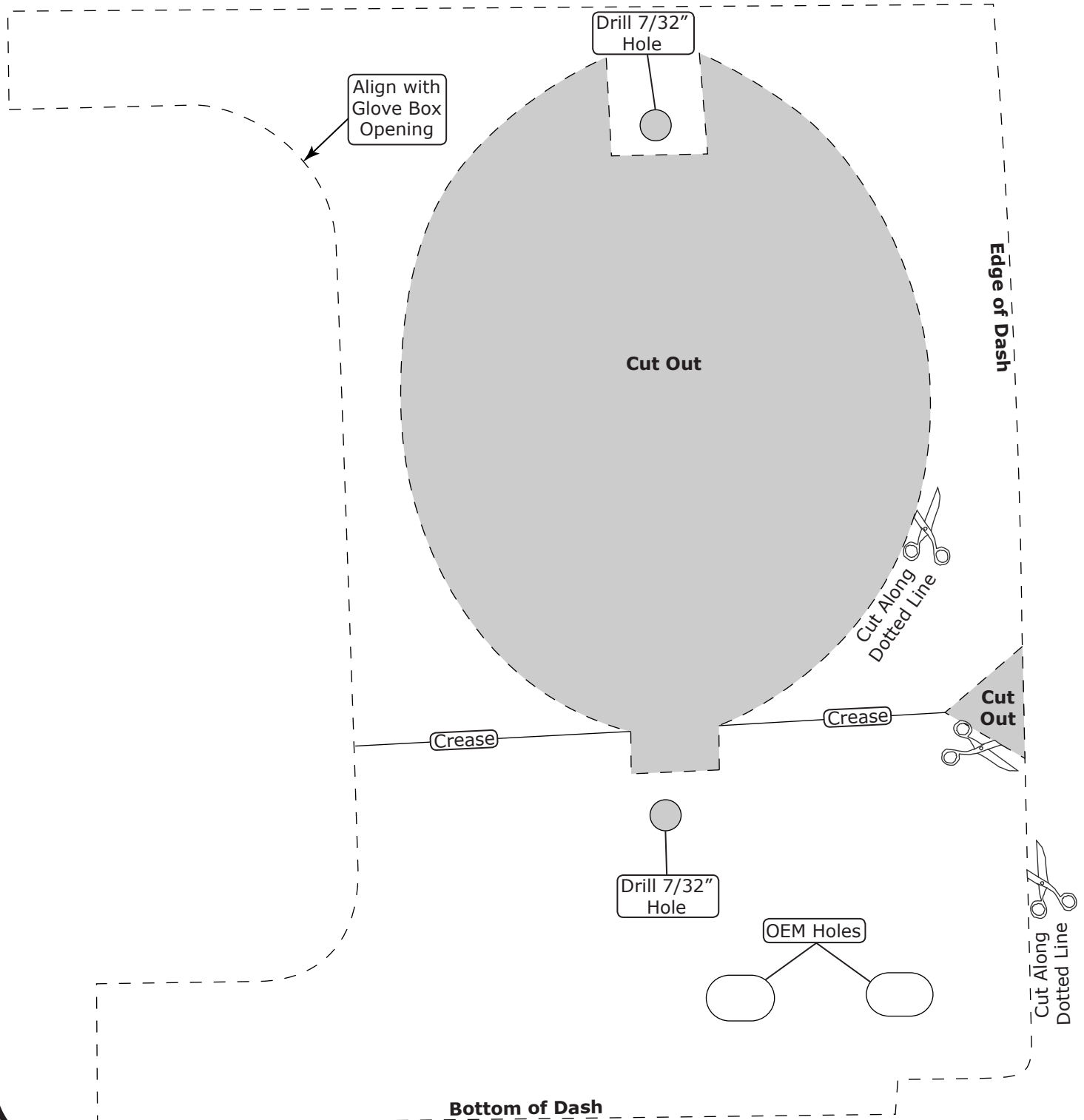
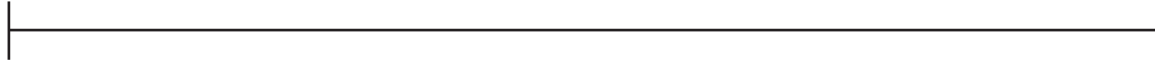




www.vintageair.com

Passenger Side Louver Template

NOTE: Due to printing variances, measure the line below before using this template. If template is scaled properly, the line should measure 6 inches.



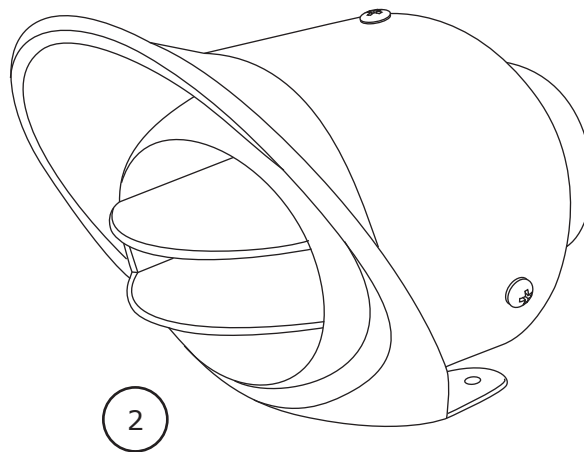
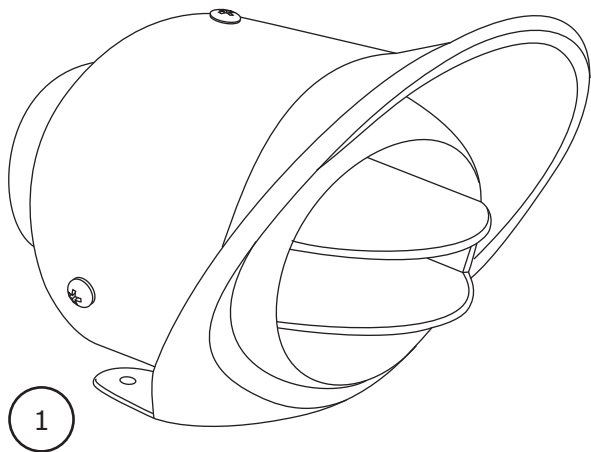


www.vintageair.com

Packing List: Louver Kit (493062)

No.	Qty.	Part No.	Description
1.	1	493063	Louver Assembly, OEM, Driver Side
2.	1	493064	Louver Assembly, OEM, Passenger Side
3.	4	182350	Screw, #8 x 5/8", Tap
4.	4	18979-VUB	J-Nut, #8

Checked By: _____
 Packed By: _____
 Date: _____



**NOTE: Images may not depict actual parts and quantities.
 Refer to packing list for actual parts and quantities.**