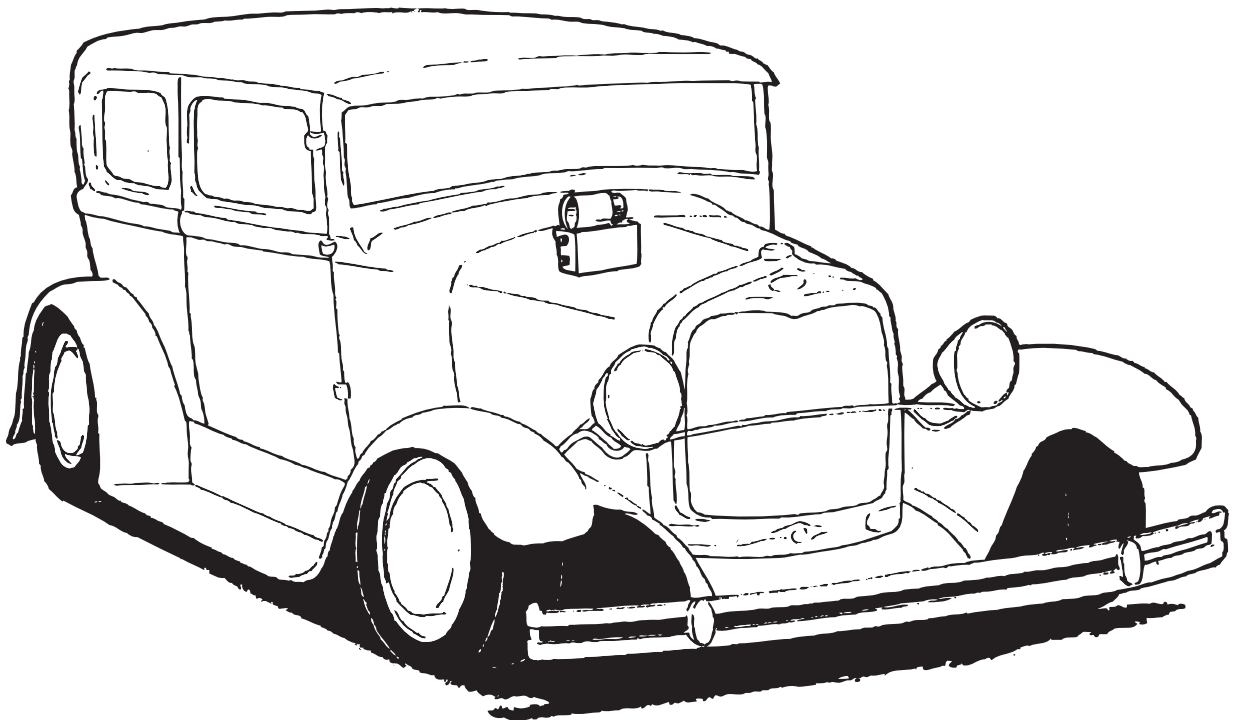




an ISO 9001: 2008 Registered Company

# **COMPAC HEATER KIT**

50515-VUH



18865 GOLL ST. - SAN ANTONIO, TX. - 78266 ph.210-654-7171 - fax 210-654-3113



## TABLE OF CONTENTS

### PAGES

1. COVER
2. TABLE OF CONTENTS
3. PACKING LIST
4. INSTALLATION
5. TEMPLATE
6. HEATER HOSE
7. DEFROST DUCT INSTALLATION
8. OPTIONAL UNDER DASH BALL LOUVER
9. WIRING DIAGRAM
10. HEATER w/ DEFROST KIT PACKING LIST

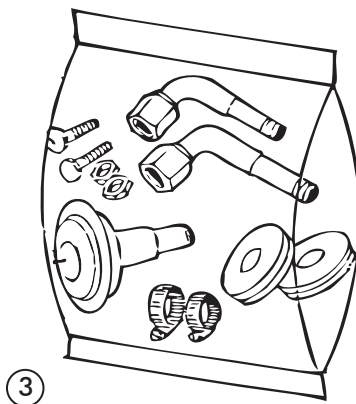
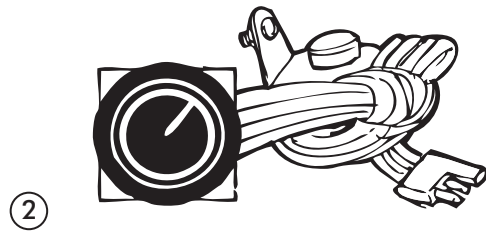
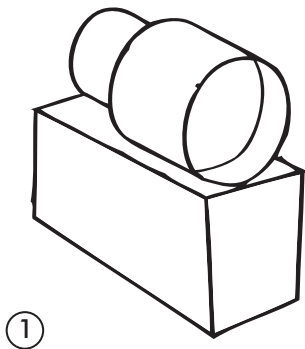


## COMPAC HEATER PACKING LIST

PACKING LIST  
50515-VUH

No.	QTY.	PART No.	DESCRIPTION
1.	1	50502-VUE	SLIMLINE HEATER SUB CASE
2.	1	49700-VUH	HEATER WIRING KIT
3.	1	63360-VUE	HEATER & DEFROST IK KIT

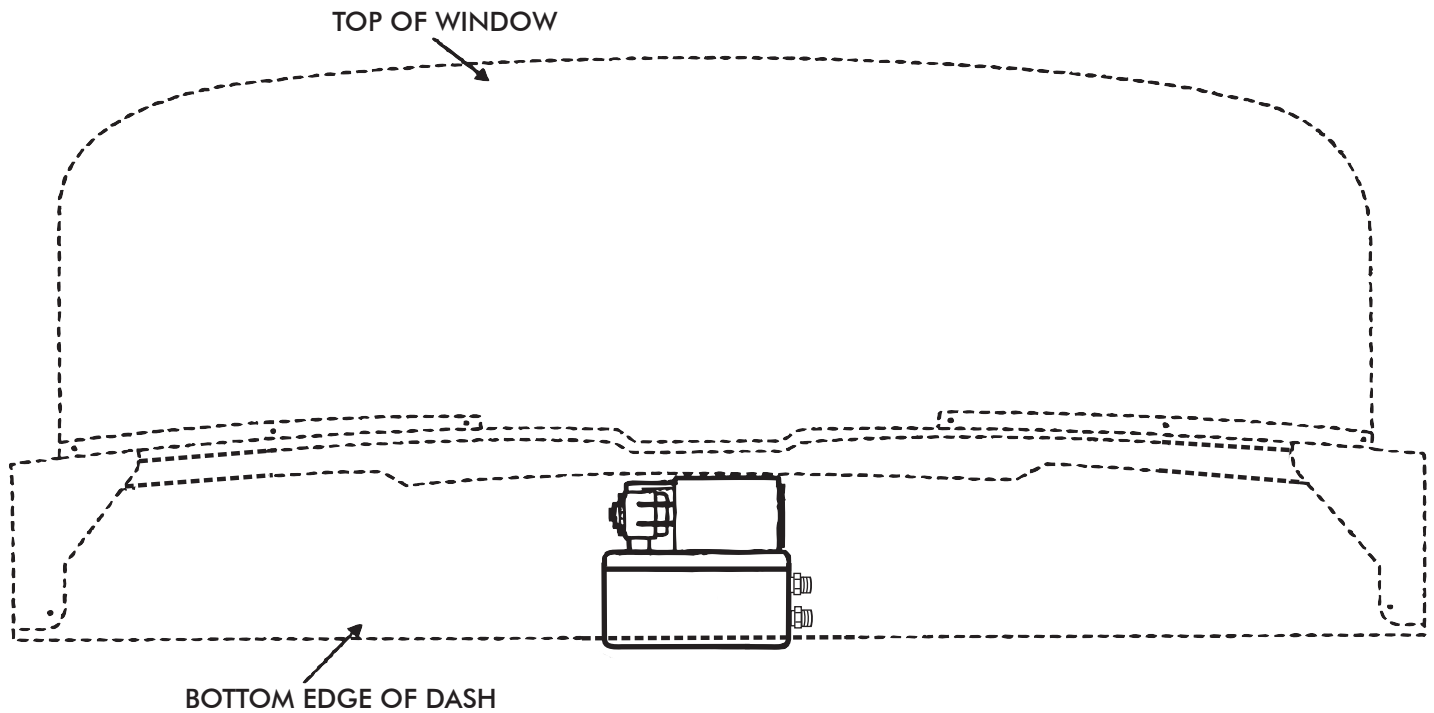
**\*\* BEFORE BEGINNING INSTALLATION OPEN ALL PACKAGES AND CHECK CONTENTS OF SHIPMENT. PLEASE REPORT ANY SHORTAGES DIRECTLY TO VINTAGE AIR WITHIN 15 DAYS. AFTER 15 DAYS, VINTAGE AIR WILL NOT BE RESPONSIBLE FOR MISSING OR DAMAGED ITEMS.**





## INSTALLATION INSTRUCTIONS HEATER

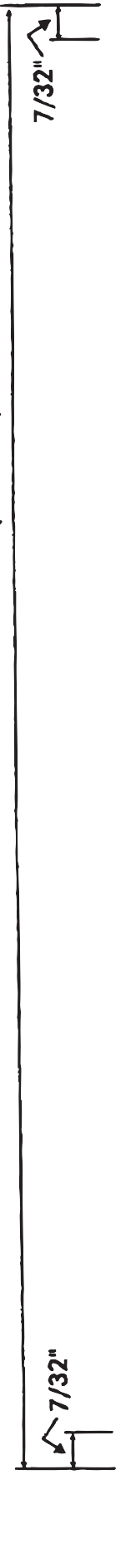
- THE VINTAGE AIR HEATER UNIT IS DESIGNED TO MOUNT INSIDE OF THE FIREWALL IN THE PASSENGER COMPARTMENT. THE INSTALLATION OF THIS UNIT VARIES ACCORDING TO BODY MANUFACTURER OR MODIFICATIONS TO ORIGINAL FIREWALL. AFTER SELECTING LOCATION (BE SURE UNIT DOES NOT INTERFERE WITH COWL VENT, WIPERS, ETC.) USE TEMPLATE TO LOCATE AND DRILL TWO (2) 9/32" DIAMETER MOUNTING HOLES (SEE PAGE 5).



**FIGURE 1**

SEE PAGE 6 FOR HEATER HOSE ROUTING INSTRUCTIONS

9.20" (9-13/64")

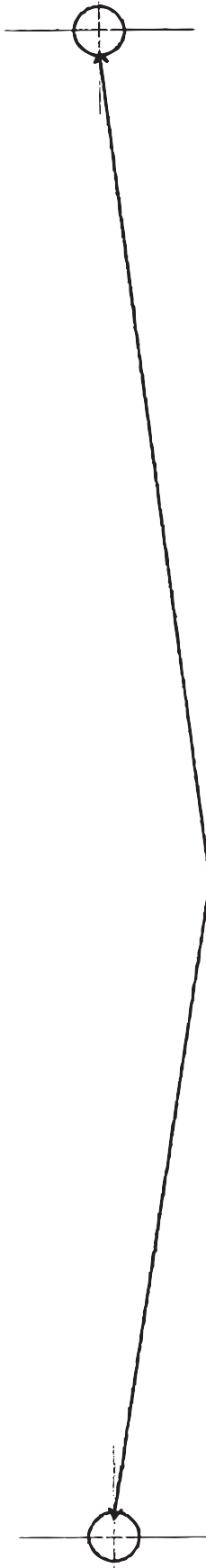


↑  
TOP

2.50"  
(2-1/2")

5"

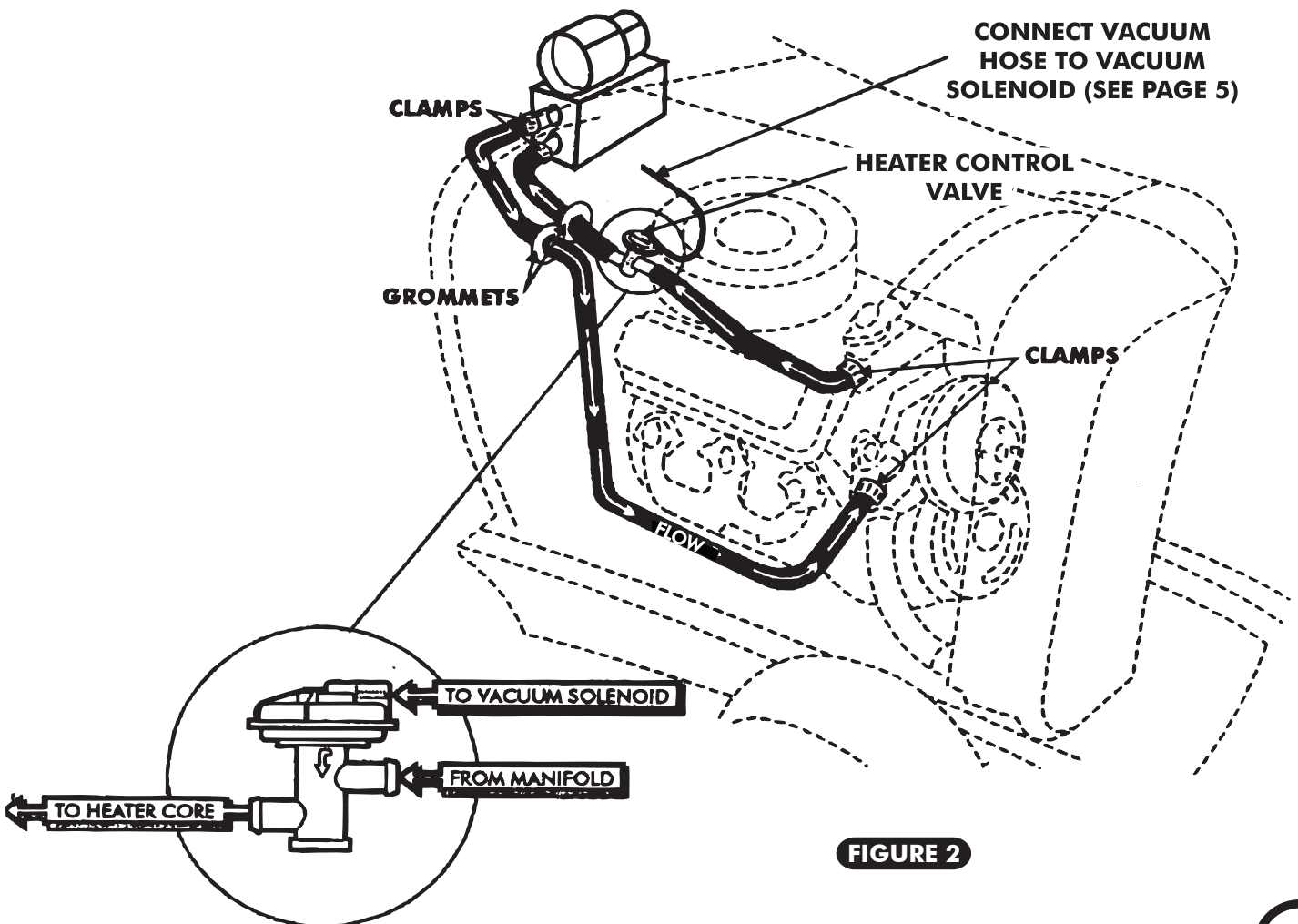
DRILL TWO (2)  
9/32" DIAMETER HOLES





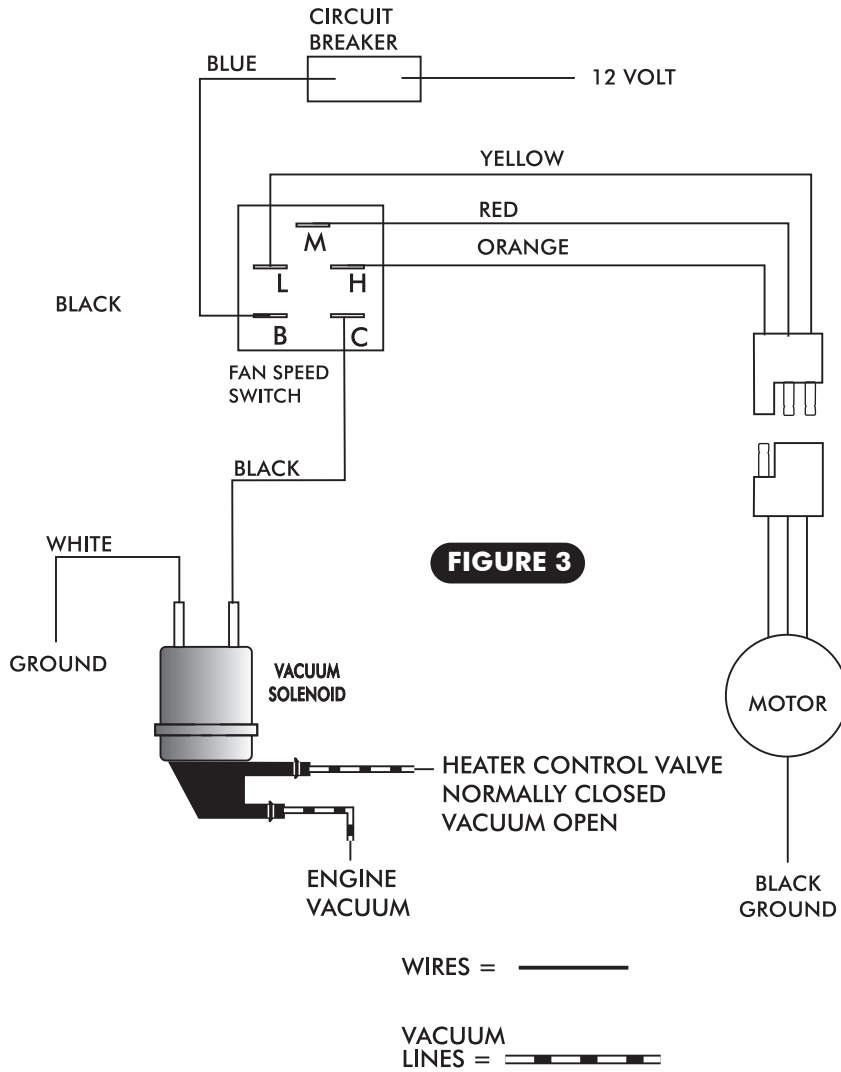
## HEATER HOSE INSTALLATION

- ❑ AFTER THE HEATER IS IN PLACE, RUN 5/8" HEATER HOSE FROM THE BOTTOM HEATER FITTING THROUGH FIREWALL OR BEHIND KICK PANEL THROUGH FLOOR TO THE INTAKE MANIFOLD HEATER CONNECTION. INSTALL THE VACUUM HEATER CONTROL VALVE IN THE LINE. SEE FIGURE 2.
- ❑ INSTALL 5/8" HEATER HOSE ON TOP FITTING OF HEATER THROUGH FIREWALL OR BEHIND KICK PANEL THROUGH FLOOR BOARD AND OUT TO WATER PUMP CONNECTION.
- ❑ FILL RADIATOR WITH COOLANT. CHECK ALL HEATER CONNECTIONS FOR LEAKS.
- ❑ START ENGINE AND RUN UNTIL NORMAL OPERATING TEMPERATURE IS REACHED. PLACE SWITCH IN HEAT POSITION (SEE FIGURE 5) AND SELECT FAN SPEED DESIRED. THE SYSTEM WILL HEAT THE VEHICLE.
- ❑ WHEN VALVE IS CLOSED INLET SIDE OF VALVE SHOULD BE HOT AND OUTLET SIDE SHOULD BE COOL. WHEN THE VALVE IS OPEN BOTH INLET AND OUTLET SIDE SHOULD BE HOT.





## WIRING/ VACUUM DIAGRAM HEATER KIT



## CONTROL KNOB OPERATION



**FIGURE 4**



# COMPAC HEATER PACKING LIST

PACKING LIST  
50515-VUH

No.	QTY.	PART No.	DESCRIPTION	
1.	1	50502-VUE	SLIMLINE HEATER SUB CASE	_____
2.	1	49700-VUH	HEATER WIRING KIT	_____
3.	1	63360-VUE	HEATER & DEFROST IK KIT	_____

CHECKED BY: \_\_\_\_\_  
PACKED BY: \_\_\_\_\_  
DATE: \_\_\_\_\_

