

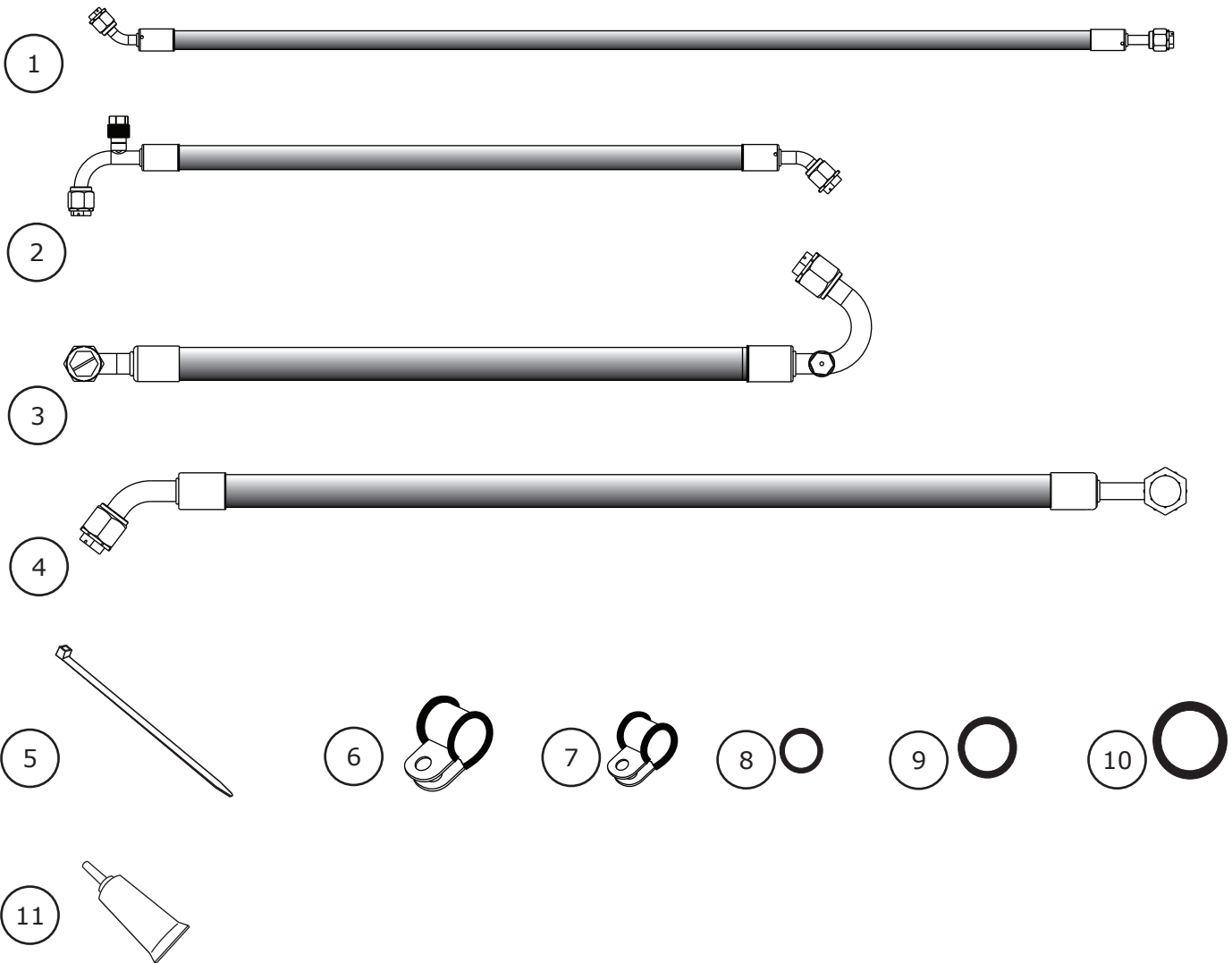


www.vintageair.com

Packing List: Standard Hose Kit (511150) 1965-66 Ford F-100

No.	Qty.	Part No.	Description
1.	1	082050	Hose, #6 A/C
2.	1	082051	Hose, #8 A/C
3.	1	082052	Hose, #10 A/C, Compressor/Bulkhead
4.	1	082053	Hose, #10 A/C, Bulkhead/Evaporator
5.	5	21300-VUP	Tie Wrap, 11"
6.	3	31601-VUD	Adel Clamp, #10
7.	2	31602-VUD	Adel Clamp, #6
8.	2	33857-VUF	O-ring, #6
9.	2	33858-VUF	O-ring, #8
10.	4	33859-VUF	O-ring, #10
11.	1	41117-VUP	Refrigerant Oil

Checked By: _____
Packed By: _____
Date: _____



**NOTE: Images may not depict actual parts and quantities.
Refer to packing list for actual parts and quantities.**