

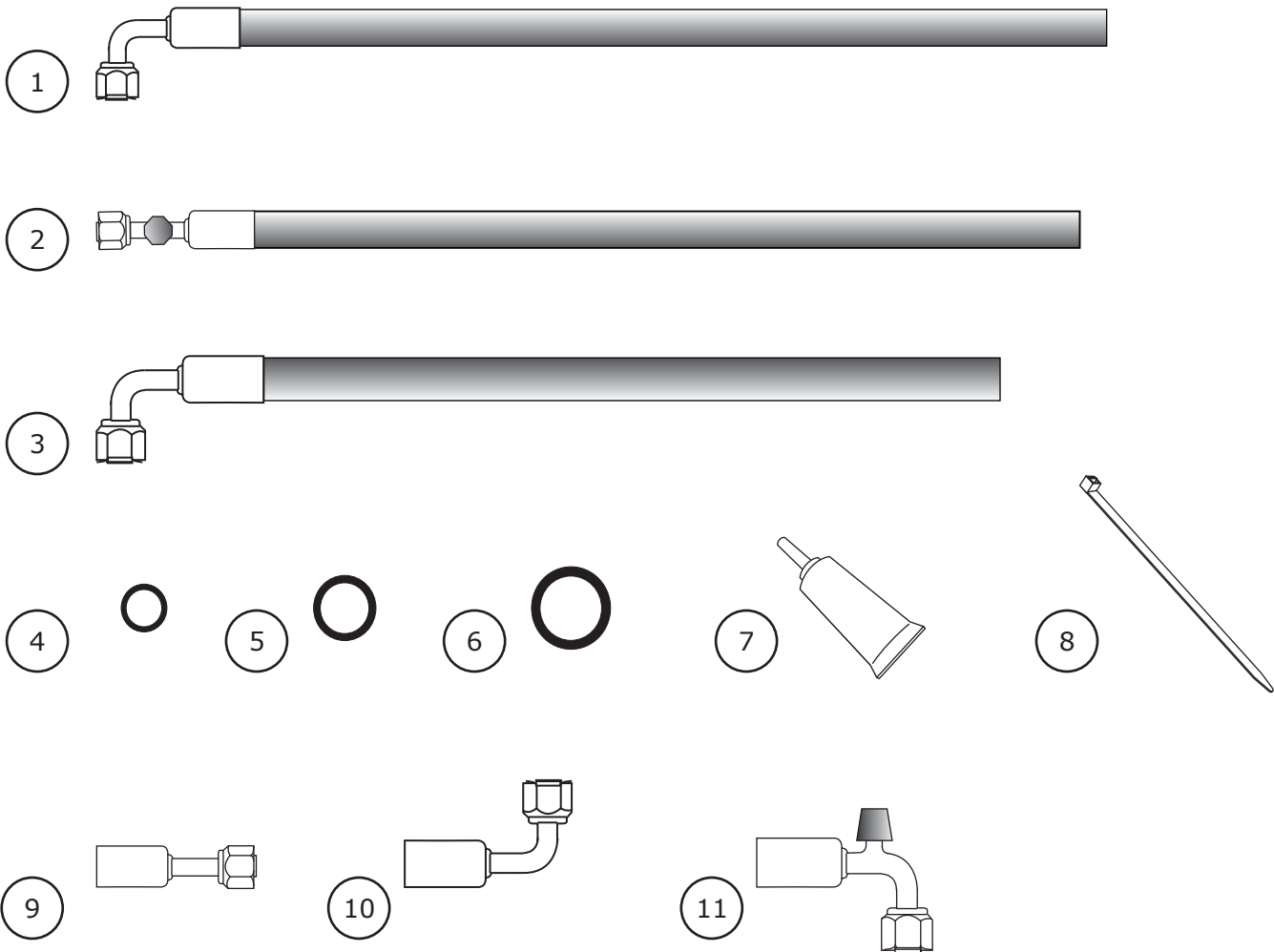


www.vintageair.com

# Packing List: 1964 1/2-68 Ford Mustang Modified Hose Kit (516268)

No.	Qty.	Part No.	Description
1.	1	086072	Hose, #6 A/C, Evaporator/Drier, Modified
2.	1	086073	Hose, #8 A/C, Compressor/Condenser, Modified
3.	1	086066	Hose, #10 A/C, Compressor/Evaporator, Modified
4.	2	33857-VUF	O-ring, #6
5.	2	33858-VUF	O-ring, #8
6.	2	33859-VUF	O-ring, #10
7.	1	41117-VUP	Refrigerant Oil
8.	6	21300-VUP	Tie Wrap, 11"
9.	1	35811-VUG	Fitting, #6, Straight
10.	1	35832-VUG	Fitting, #8, 90°
11.	1	35533-VUG	Fitting, #10, 90° with Service Port

Checked By: \_\_\_\_\_  
Packed By: \_\_\_\_\_  
Date: \_\_\_\_\_



**NOTE: Images may not depict actual parts and quantities.  
Refer to packing list for actual parts and quantities.**