

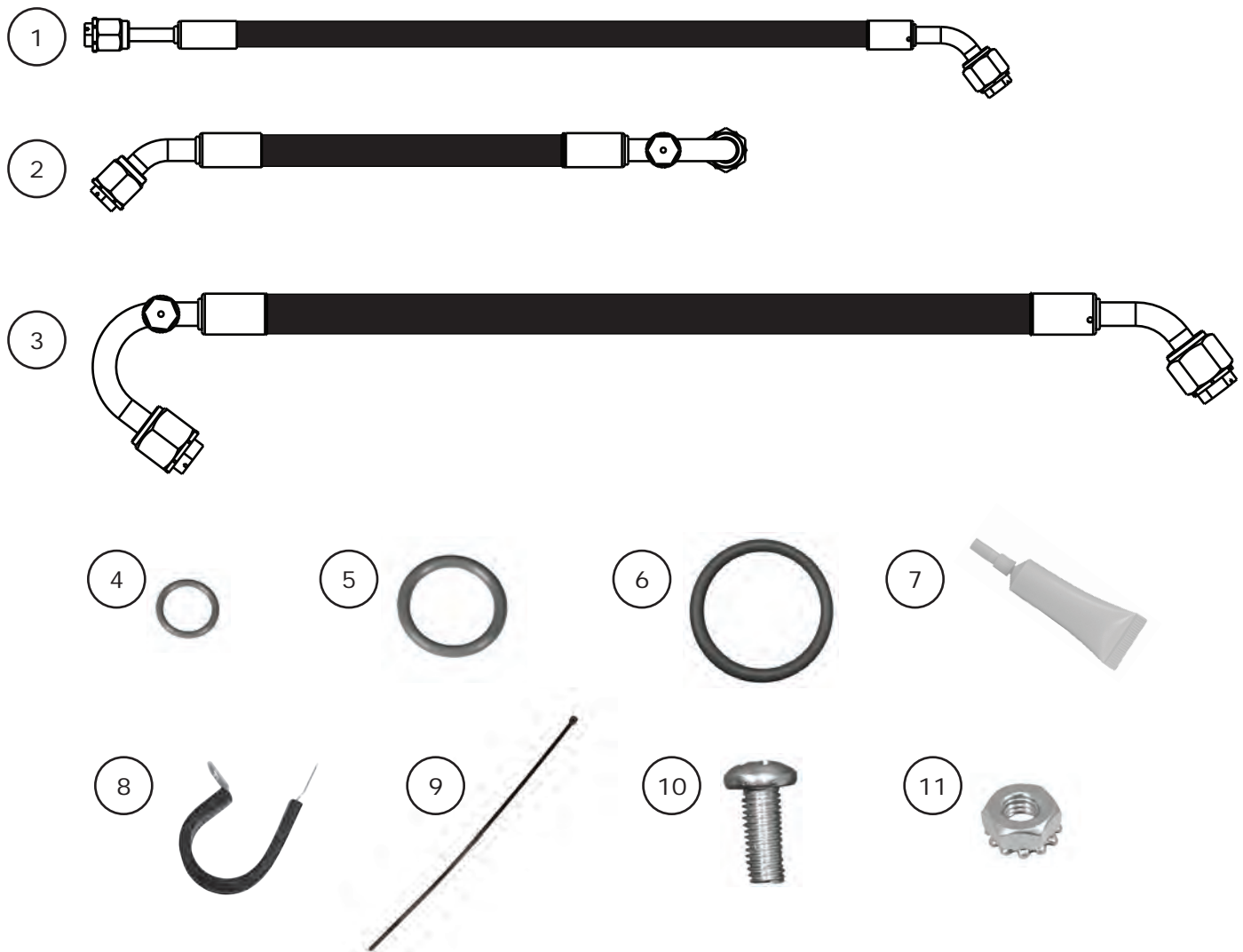


www.vintageair.com

Packing List: 1970-72 Monte Carlo Reduced Barrier Standard Hose Kit (524474)

No.	Qty.	Part No.	Description
1.	1	092121	Hose, #6 A/C, Drier/Evaporator, RB
2.	1	092122	Hose, #8 A/C, Compressor/Condenser, RB
3.	1	092117	Hose, #10 A/C, Evaporator/Compressor, RB
4.	2	33857-VUF	O-ring, #6
5.	2	33858-VUF	O-ring, #8
6.	2	33859-VUF	O-ring, #10
7.	1	41117-VUP	Refrigerant Oil
8.	1	31601-VUD	Adel Clamp, 1" I.D.
9.	5	21300-VUP	Tie Wrap, 11"
10.	1	18250-VUB	Screw, 10-32 x 1/2", Pan Head
11.	1	18251-VUB	Nut with Star Washer, 10-32

Checked By: _____
Packed By: _____
Date: _____



**NOTE: Images may not depict actual parts and quantities.
Refer to packing list for actual parts and quantities.**