

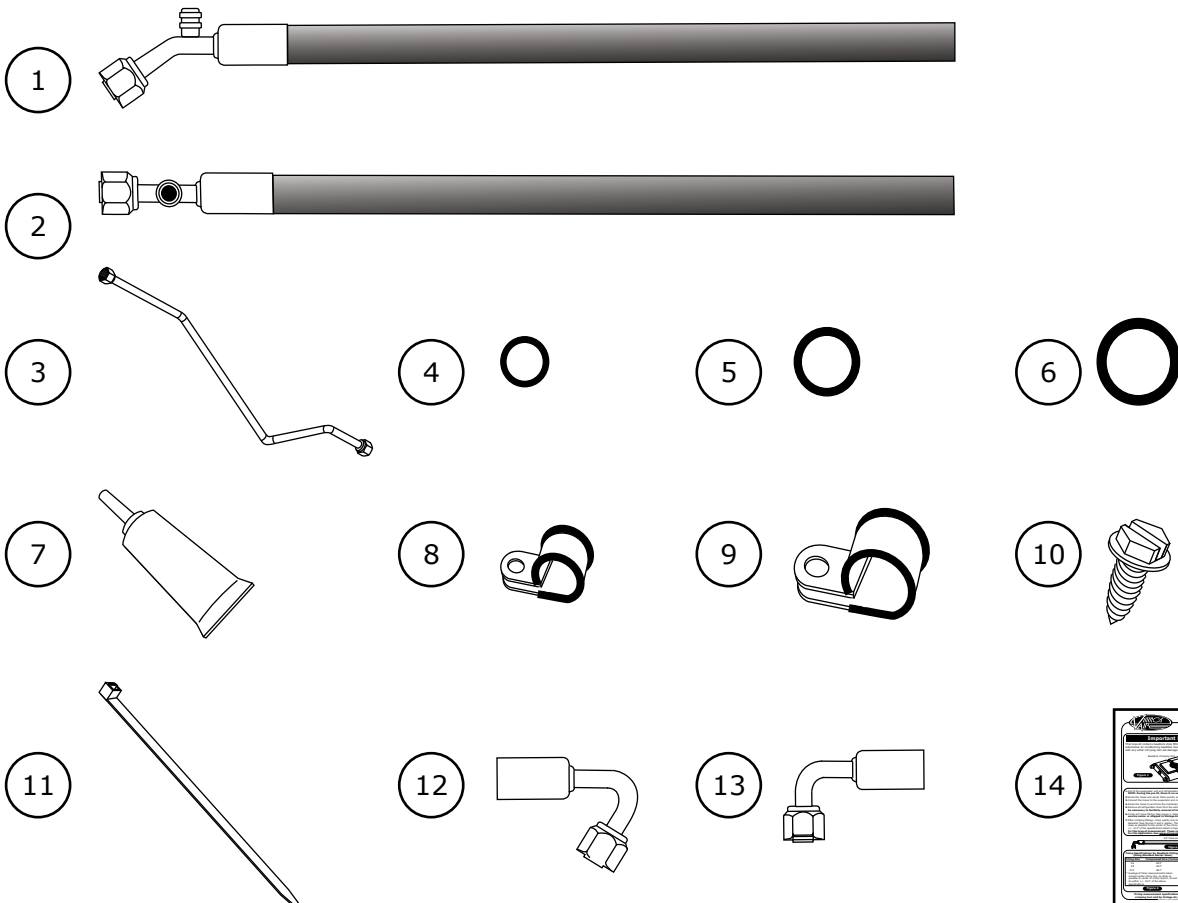


www.vintageair.com

# Packing List: 1970-74 Challenger/Cuda Top Exit Compressor Modified Hose Kit (534073-PMA)

No.	Qty.	Part No.	Description
1.	1	106072-PFD	Hose, #8 A/C, Condenser/Compressor, Modified
2.	1	106073-PFS	Hose, #10 A/C, Compressor/Evaporator, Modified
3.	1	101009-EFL	Hardline, #6 Evaporator/Core
4.	2	33857-VUF	O-ring, #6
5.	2	33858-VUF	O-ring, #8
6.	2	33859-VUF	O-ring, #10
7.	1	41117-VUP	Refrigerant Oil Tube
8.	1	31600-VUD	Adel Clamp, #2
9.	1	31601-VUD	Adel Clamp, #10
10.	1	18247-VUB	Screw, #10 x 1/2", Sheet Metal
11.	4	21300-VUP	Tie Wrap, 11"
12.	1	35843-VUG	Fitting, #10, 135°
13.	1	35832-VUG	Fitting, #8, 90°
14.	1	900002	Instruction, Modified Hose Kit

Checked By: \_\_\_\_\_  
Packed By: \_\_\_\_\_  
Date: \_\_\_\_\_



**NOTE: Images may not depict actual parts and quantities.  
Refer to packing list for actual parts and quantities.**