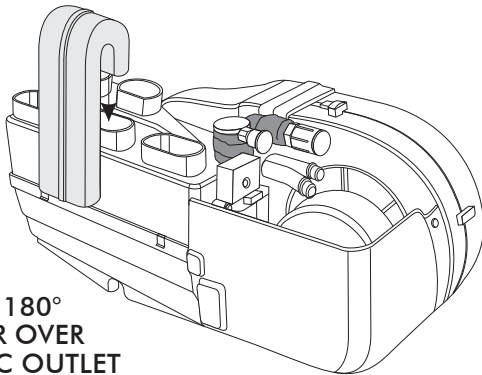


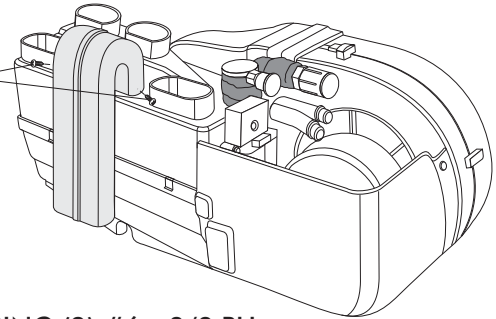


GEN II COMPAC/MINI 180° A/C DUCT ADAPTER



PLACE 180°
ADAPTER OVER
CENTER A/C OUTLET
AS SHOWN

#6 PH PAN
HEAD SCREW

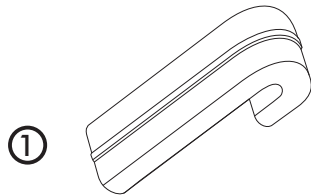


SECURE USING (2) #6 x 3/8 PH
PAN HEAD SCREWS AS SHOWN

180° A/C ADAPTER KIT PACKING LIST

ADAPTER KIT
60500-VUA

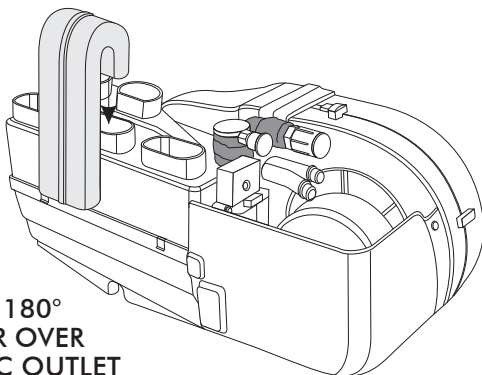
No.	QTY.	PART No.	DESCRIPTION
1.	1	605000-VUA	GEN II COMPAC/MINI 180° ADAPTER ASM
2.	2	18233-VUB	#6 x 3/8 PH PAN HEAD SCREW



CHECKED BY: _____
PACKED BY: _____
DATE: _____

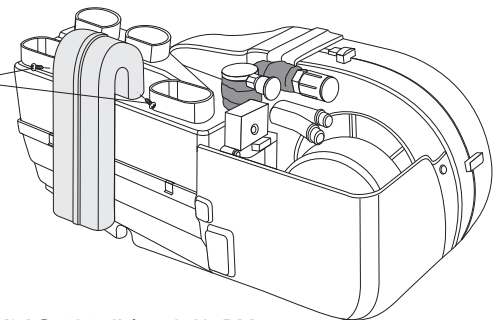


GEN II COMPAC/MINI 180° A/C DUCT ADAPTER



PLACE 180°
ADAPTER OVER
CENTER A/C OUTLET
AS SHOWN

#6 PH PAN
HEAD SCREW

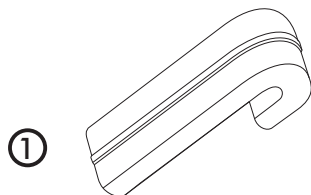


SECURE USING (2) #6 x 3/8 PH
PAN HEAD SCREWS AS SHOWN

180° A/C ADAPTER KIT PACKING LIST

ADAPTER KIT
60500-VUA

No.	QTY.	PART No.	DESCRIPTION
1.	1	605000-VUA	GEN II COMPAC/MINI 180° ADAPTER ASM
2.	2	18233-VUB	#6 x 3/8 PH PAN HEAD SCREW



CHECKED BY: _____
PACKED BY: _____
DATE: _____