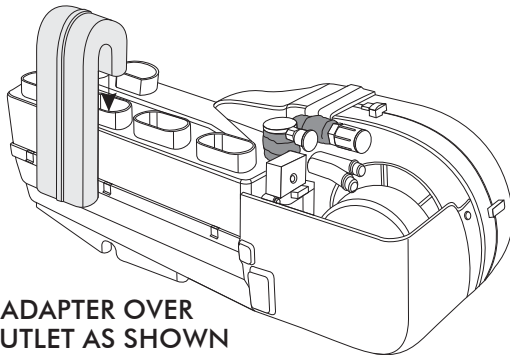


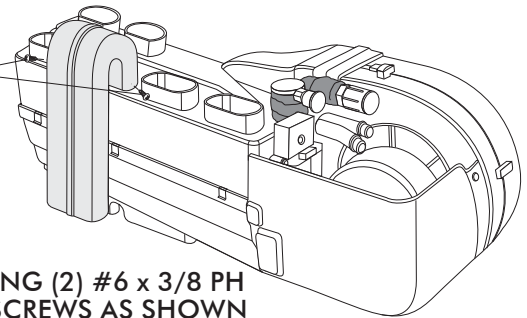


**GEN II SUPER** 180° A/C DUCT ADAPTER



PLACE 180° ADAPTER OVER CENTER A/C OUTLET AS SHOWN

#6 PH PAN HEAD SCREW

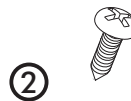
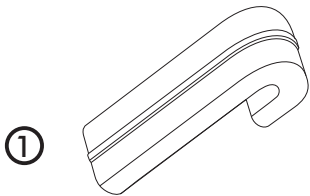


SECURE USING (2) #6 x 3/8 PH PAN HEAD SCREWS AS SHOWN

**ADAPTER KIT  
605004-VUA**

**180° A/C ADAPTER KIT PACKING LIST**

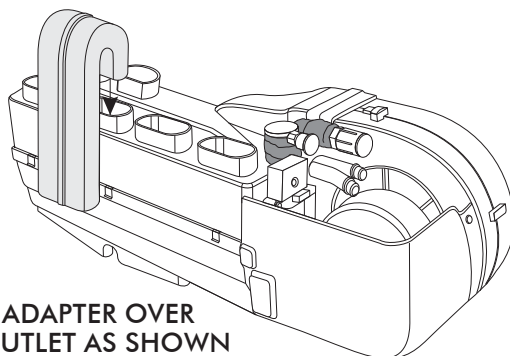
No.	QTY.	PART No.	DESCRIPTION
1.	1	605003-VUA	GEN II SUPER 180° ADAPTER ASM
2.	2	18233-VUB	#6 x 3/8 PH PAN HEAD SCREW



CHECKED BY: \_\_\_\_\_  
 PACKED BY: \_\_\_\_\_  
 DATE: \_\_\_\_\_

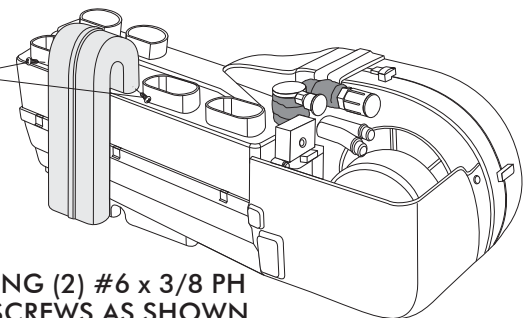


**GEN II SUPER** 180° A/C DUCT ADAPTER



PLACE 180° ADAPTER OVER CENTER A/C OUTLET AS SHOWN

#6 PH PAN HEAD SCREW

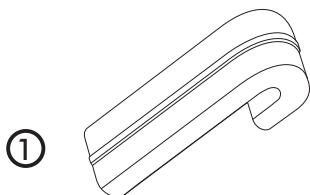


SECURE USING (2) #6 x 3/8 PH PAN HEAD SCREWS AS SHOWN

**ADAPTER KIT  
605004-VUA**

**180° A/C ADAPTER KIT PACKING LIST**

No.	QTY.	PART No.	DESCRIPTION
1.	1	605003-VUA	GEN II SUPER 180° ADAPTER ASM
2.	2	18233-VUB	#6 x 3/8 PH PAN HEAD SCREW



CHECKED BY: \_\_\_\_\_  
 PACKED BY: \_\_\_\_\_  
 DATE: \_\_\_\_\_