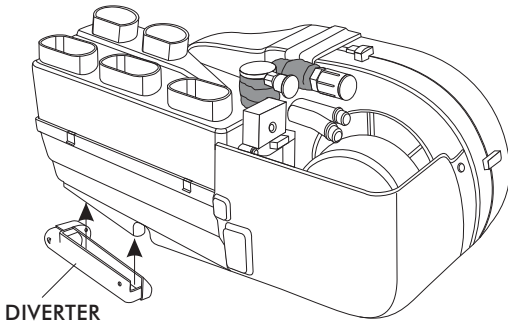


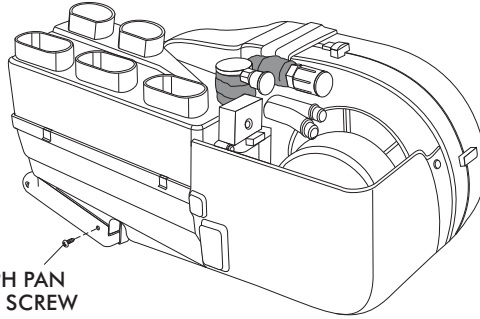


# GEN II COMPAC/MINI HEAT DIVERTER



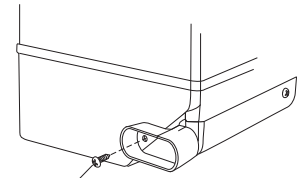
DIVERTER

PLACE DIVERTER OVER HEATER OUTLET AS SHOWN



#6 PH PAN HEAD SCREW

SECURE USING (2) #6 x 3/8 PH PAN HEAD SCREWS AS SHOWN



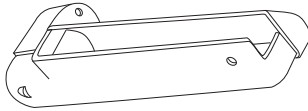
#6 PH PAN HEAD SCREW

## DIVERTER KIT PACKING LIST

**DIVERTER KIT  
623000-VUA**

No.	QTY.	PART No.	DESCRIPTION
1.	1	623003-VUA	GEN II COMPAC/MINI HEAT DIVERTER ASM
2.	2	18233-VUB	#6 x 3/8 PH PAN HEAD SCREW

①



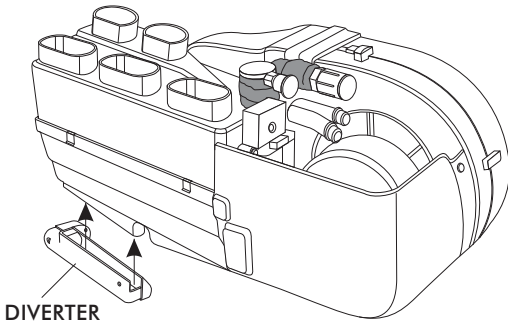
②



CHECKED BY: \_\_\_\_\_  
 PACKED BY: \_\_\_\_\_  
 DATE: \_\_\_\_\_

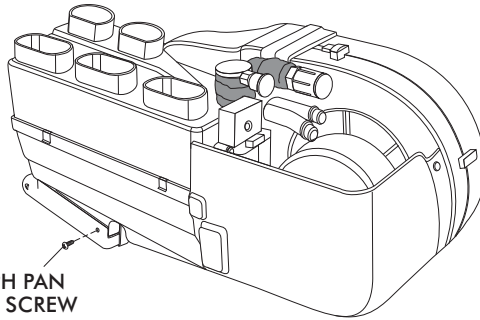


# GEN II COMPAC/MINI HEAT DIVERTER



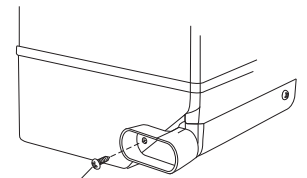
DIVERTER

PLACE DIVERTER OVER HEATER OUTLET AS SHOWN



#6 PH PAN HEAD SCREW

SECURE USING (2) #6 x 3/8 PH PAN HEAD SCREWS AS SHOWN



#6 PH PAN HEAD SCREW

## DIVERTER KIT PACKING LIST

**DIVERTER KIT  
623000-VUA**

No.	QTY.	PART No.	DESCRIPTION
1.	1	623003-VUA	GEN II COMPAC/MINI HEAT DIVERTER ASM
2.	2	18233-VUB	#6 x 3/8 PH PAN HEAD SCREW

①



②



CHECKED BY: \_\_\_\_\_  
 PACKED BY: \_\_\_\_\_  
 DATE: \_\_\_\_\_