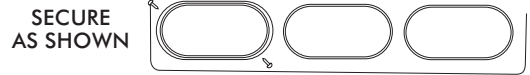
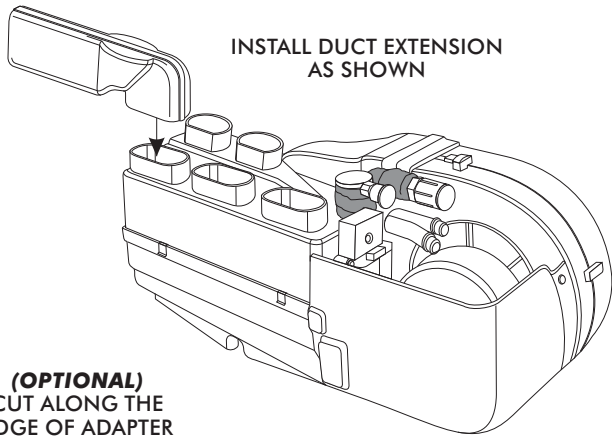
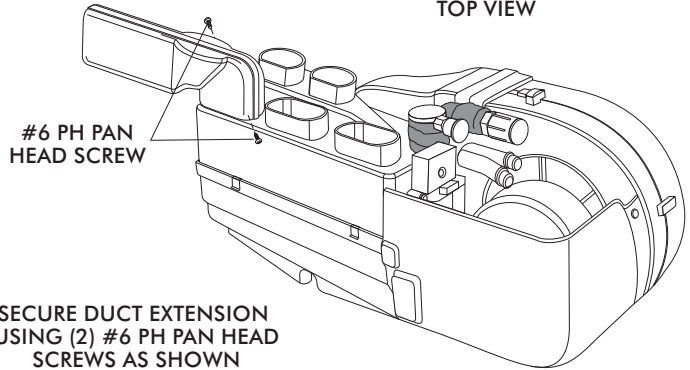




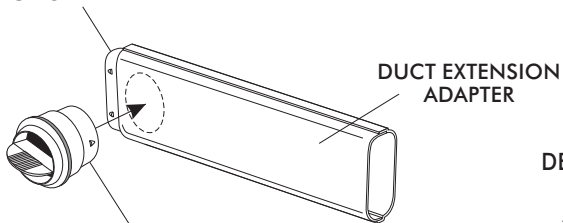
GEN II COMPAC/MINI DRV SIDE A/C DUCT EXTENSION KIT



TOP VIEW

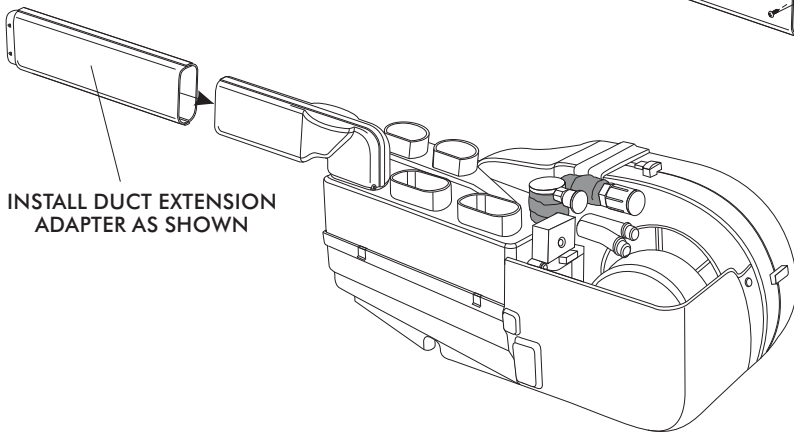
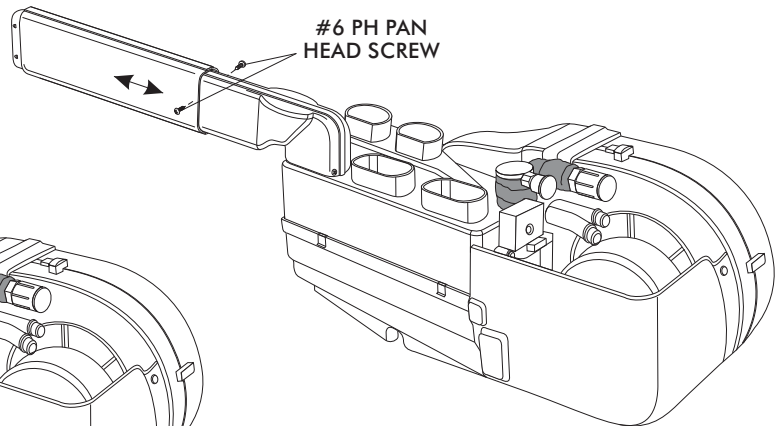


(OPTIONAL)
CUT ALONG THE
EDGE OF ADAPTER



DEPENDING ON YOUR APPLICATION, CUT THE END OF THE EXTENSION ADAPTER **OR** DRILL A 2 1/2" HOLE IN THE EXTENSION ADAPTER AND INSTALL AN OPTIONAL BALL LOUVER (49053-VUL) AS SHOWN.

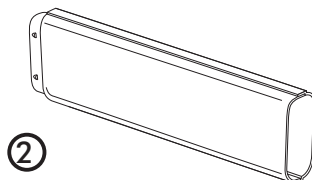
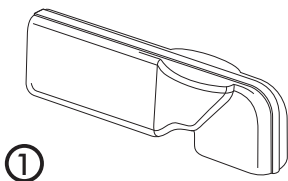
(OPTIONAL)
49053-VUL BALL LOUVER
USING A 2 1/2" HOLE SAW
DRILL A HOLE AS SHOWN
AND INSTALL BALL LOUVER



GEN II COMPAC/MINI DRV SIDE A/C DUCT EXTENSION KIT PACKING LIST

**A/C DUCT EXTENSION KIT
623010-VUA**

No.	QTY.	PART No.	DESCRIPTION
1.	1	623006-VUA	GEN II COMPAC/MINI DRV SIDE A/C DUCT EXT. ASM
2.	1	623009-VUA	A/C DUCT EXTENSION ADAPTER ASM
3.	4	18233-VUB	#6 x 3/8 PH PAN HEAD SCREW



CHECKED BY: _____
PACKED BY: _____
DATE: _____