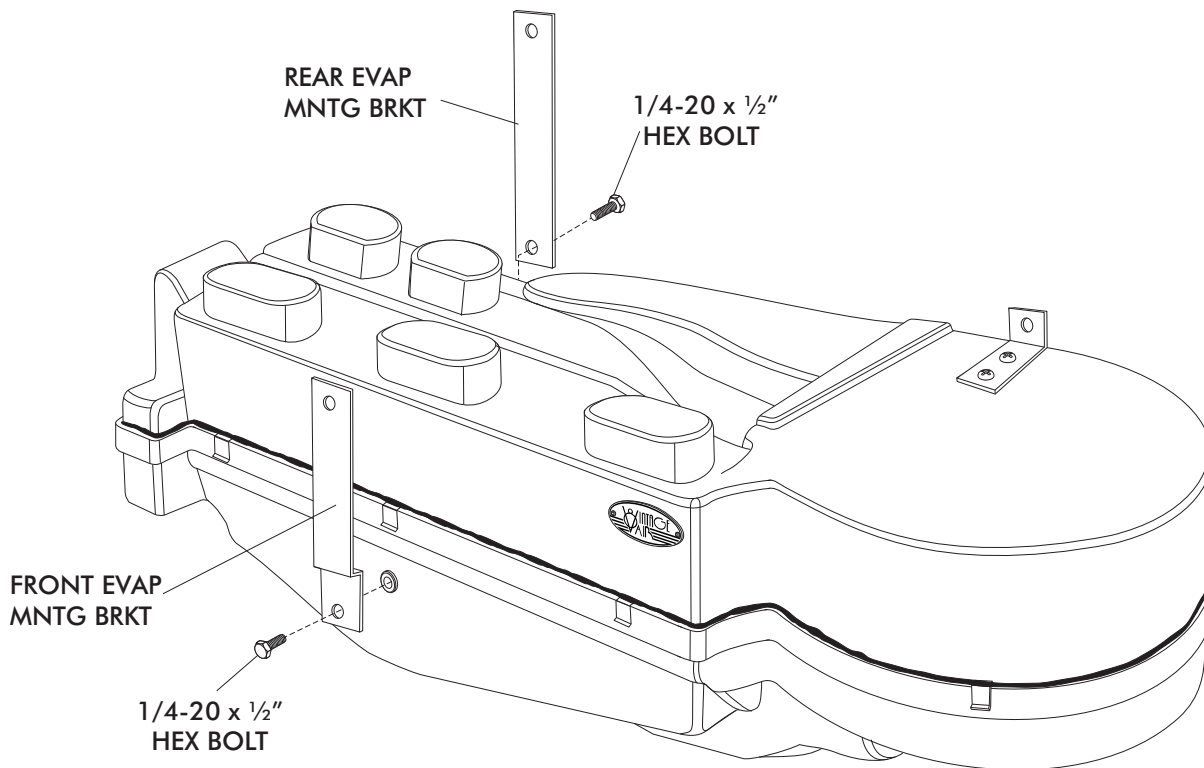




GEN II MINI MOCK-UP UNIT

GEN II MINI MOCK-UP UNIT

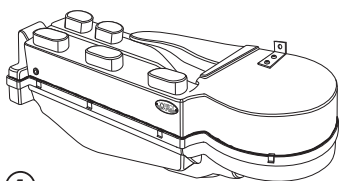


REMOVE THE (2) 1/4-20 x 1/2" COARSE HEX BOLTS FROM THE SUB CASE AND INSTALL FRONT AND REAR EVAPORATOR MOUNTING BRACKETS AS SHOWN.

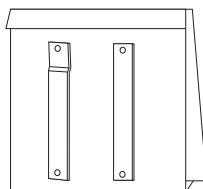
GEN II MINI MOCK-UP UNIT PACKING LIST

**MOCK-UP UNIT
660050-VUA**

No.	QTY.	PART No.	DESCRIPTION
1.	1	550051-VUA	GEN II MINI MOCK-UP SUB CASE
2.	1	63510-KUB	GEN II MINI MNTG KIT



①



②

CHECKED BY: _____
 PACKED BY: _____
 DATE: _____