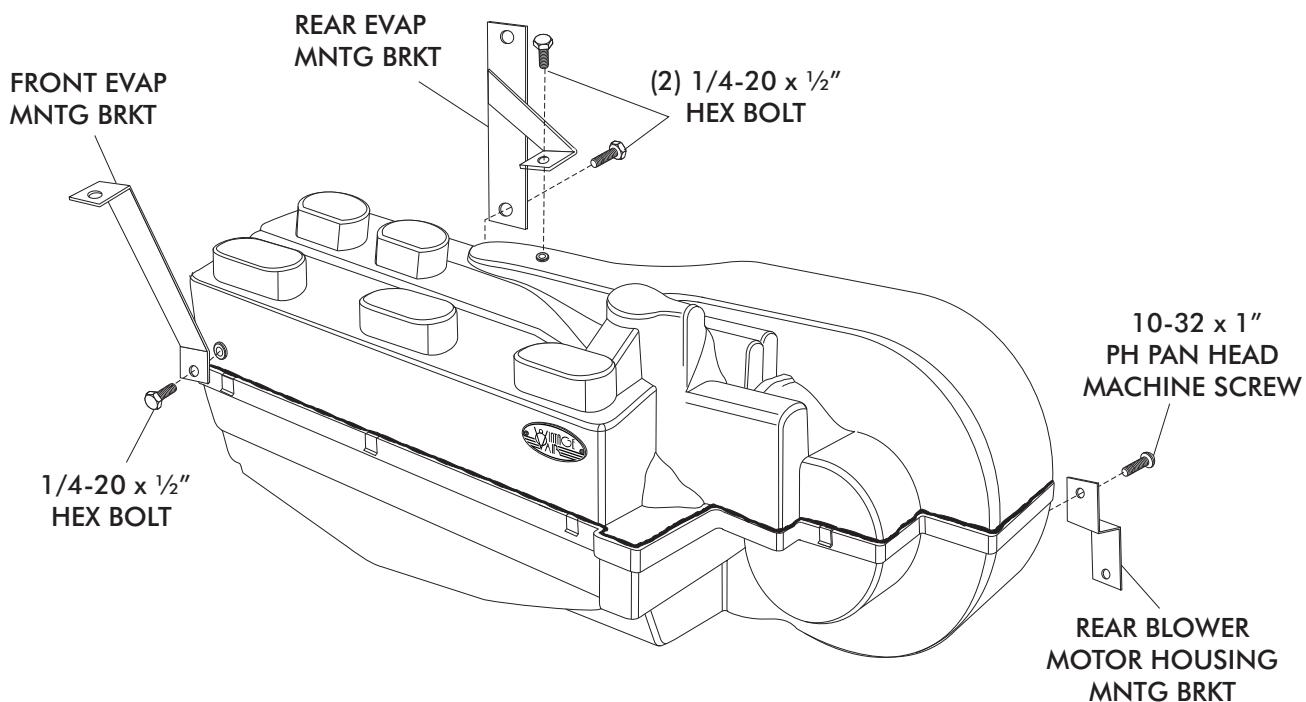




GEN II COMPAC MOCK-UP UNIT

GEN II COMPAC MOCK-UP UNIT



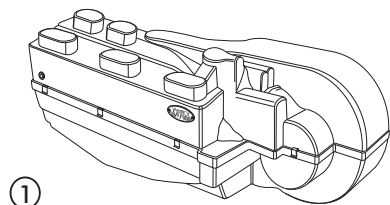
REMOVE THE (3) 1/4-20 x 1/2" COARSE HEX BOLTS FROM THE SUB CASE AND INSTALL FRONT AND REAR EVAPORATOR MOUNTING BRACKETS AS SHOWN.

REMOVE THE 10-32 x 1" PH PAN HEAD MACHINE SCREW FROM THE SUB CASE AND INSTALL THE REAR BLOWER MOTOR HOUSING MOUNTING BRACKET AS SHOWN.

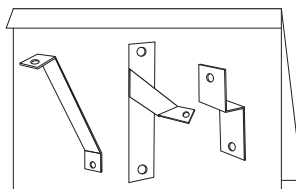
GEN II COMPAC MOCK-UP UNIT PACKING LIST

**MOCK-UP UNIT
68000-VUA**

No.	QTY.	PART No.	DESCRIPTION
1.	1	550000-VUA	GEN II COMPAC MOCK-UP SUB CASE
2.	1	63500-KUB	GEN II COMPAC MNTG KIT



①



②

CHECKED BY: _____
 PACKED BY: _____
 DATE: _____