

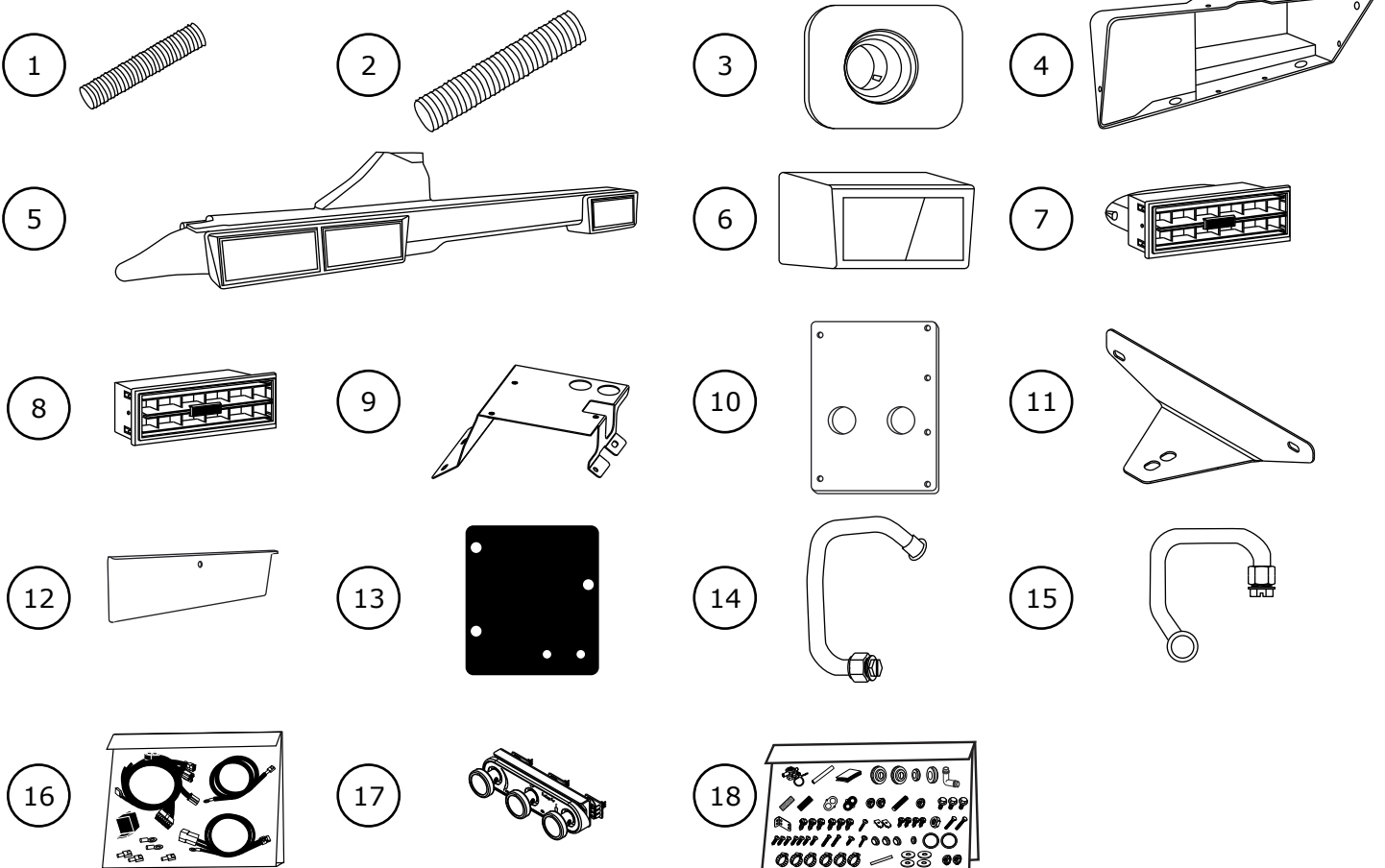


www.vintageair.com

# Packing List: 1967 Ford F-100 Accessory Kit (791152)

No.	Qty.	Part No.	Description
1.	5'	06200-VUE	Duct Hose, 2"
2.	3'	06250-VUE	Duct Hose, 2 1/2"
3.	2	491655	Defrost Duct
4.	1	491656	Glove Box
5.	1	491659	Louver Bezel, Passenger Side Plenum Assembly
6.	1	491658	Louver Bezel, Driver Side Underdash
7.	1	49052-VUL	Louver with Hose Adapter
8.	3	490523	Louver without Hose Adapter
9.	1	646953	Bracket, Evaporator Firewall
10.	1	646957	Kick Panel Cap
11.	1	646965	Bracket, Evaporator Dash
12.	1	646975	Bracket, Driver Side Louver Housing
13.	1	338609	Rubber Boot, Firewall
14.	1	081161	Hardline, Heater Water Pump
15.	1	081160	Hardline, Heater Intake
16.	1	232600-VUA	Wiring Kit, Gen IV Universal
17.	1	495000	Control Panel Kit
18.	1	631152	Installation Kit

Checked By: \_\_\_\_\_  
Packed By: \_\_\_\_\_  
Date: \_\_\_\_\_



**NOTE: Images may not depict actual parts and quantities.  
Refer to packing list for actual parts and quantities.**