

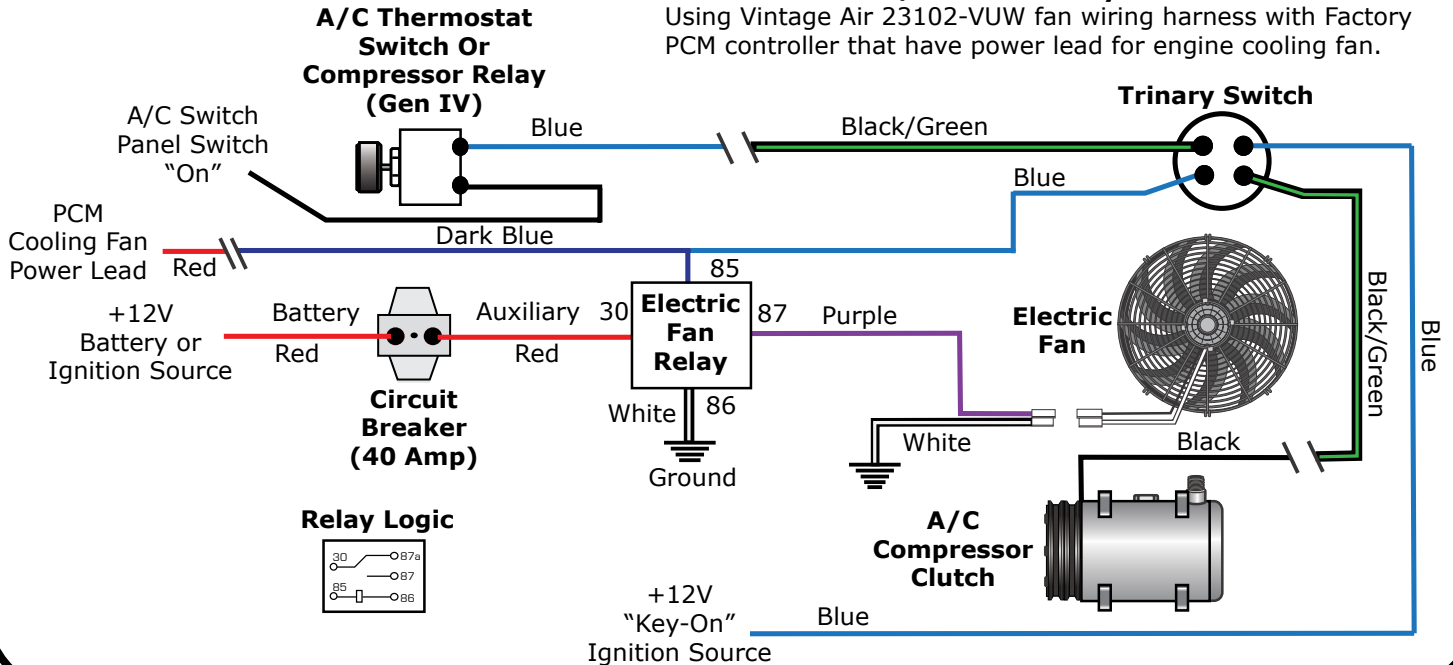


www.vintageair.com

Trinary Switch Wiring Diagram: Ford or GM PCM with Power Lead for Engine Cooling Fan

Male/Female Trinary Switch

Using Vintage Air 23102-VUW fan wiring harness with Factory PCM controller that have power lead for engine cooling fan.



Relay Logic

