

# Eaton E-Z Clip™ System Assembly Instructions



**EATON**

*Powering Business Worldwide*

# E-Z Clip™ System

Eaton's E-Z Clip System is designed for assembly with Eaton multi-refrigerant hose GH134. It's engineered hose and fitting connection exceeds SAE J2064 and has been vibration and impulse tested.

The benefits of E-Z Clip are virtually endless:

- No guess work
- No leaking crimps
- No power supply needed
- As easy to use as a pair of pliers
- Easy to use in confined areas



## Assembly Materials Checklist:

- Pliers (FT1357)
- Guillotine blade (T-135 or FT1356) or equivalent cutting tool
- Refrigerant oil compatible with refrigeration or A/C system
- GH134 multi-refrigerant hose
- Nipple assembly\*
- Appropriately sized clips and cage

\*NOTE: The two black O-Rings on the nipple assembly are of a specific rubber compound and size. If replaced, part number IF40106 size must be used to ensure performance.



# E-Z Clip System

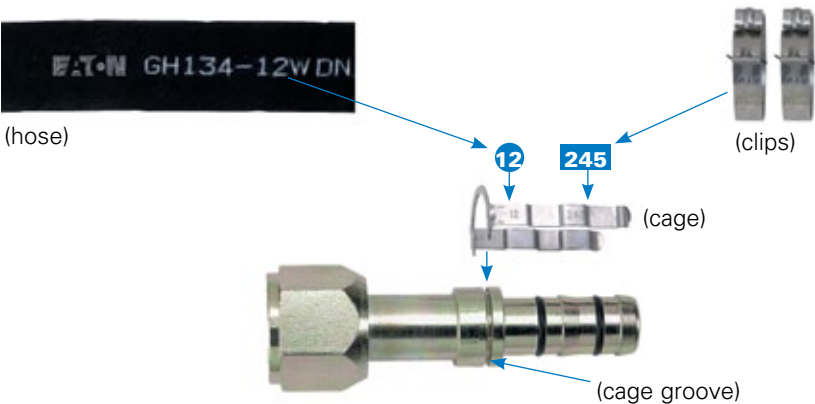
Components are  
Simple to Identify,  
Order and Use

## Ordering Information

| <b>Aeroquip®<br/>Hose</b> | <b>Weatherhead®<br/>Hose</b> | <b>Clips – 2 per Fitting</b> | <b>Cage – 1 per Fitting</b> |
|---------------------------|------------------------------|------------------------------|-----------------------------|
| GH134-6                   | GH134-6W                     | 1F40104-06C                  | 1F40105-06C                 |
| GH134-8                   | GH134-8W                     | 1F40104-08C                  | 1F40105-08C                 |
| GH134-10                  | GH134-10W                    | 1F40104-10C                  | 1F40105-10C                 |
| GH134-12                  | GH134-12W                    | 1F40104-12C                  | 1F40105-12C                 |

## Identification Guide

| <b>Aeroquip<br/>Hose</b> | <b>Weatherhead<br/>Hose</b> | <b>Clips Marking</b> | <b>Cage Marking</b> |
|--------------------------|-----------------------------|----------------------|---------------------|
| GH134-6                  | GH134-6W                    | 150                  | -6 and 150          |
| GH134-8                  | GH134-8W                    | 175                  | -8 and 175          |
| GH134-10                 | GH134-10W                   | 200                  | -10 and 200         |
| GH134-12                 | GH134-12W                   | 245                  | -12 and 245         |



# E-Z Clip System

## Assembly Instructions

### Step 1: Cut the hose.

Cut the hose to proper length with an appropriate cutting tool. The Eaton hand-held hose cutter has been specifically designed for cutting all non-wire reinforced hose, such as GH134 multi-refrigerant hose. Be sure the cut is made square to the hose length.



### Step 2: Slip on two clips.

Install two proper-sized clips onto the cut end of the hose. Orientation of the clips does not affect the performance of the connection. However, for ease of assembly Eaton recommends both clips have the same orientation.

**NOTE:** Failure to slide the clips over the hose at this time will require the clips to be stretched over the hose or fitting later. This may permanently damage the clip.



### Step 3: Oil the nipple.

Lubricate the nipple with a generous amount of the refrigeration or A/C system's compressor lubricating oil. This **MUST** be done to lower the force of nipple insertion.



# E-Z Clip System

## Assembly Instructions

### Step 4: Insert the nipple into the hose.

To ensure that the nipple is fully inserted, check the gap between the cut end of the hose and the shoulder on the nipple.

Care should be taken to avoid kinking or other damage to the hose during nipple insertion.

**NOTE:** Be sure to wipe excess oil from the nipple and hose.



### Step 5: Snap on the cage.

Snap the cage into the groove on the nipple. The arms should extend over the hose length. When the cage has been correctly installed in the cage groove, the cage will be able to rotate in the groove.

This step **MUST** be performed to ensure:

1. The clips will be located over the O-Rings on the nipple.
2. The connection will be compatible with the connection's pressure rating.



### Step 6: Slide the clips.

Slide the clips over the cage arms and into the channels on each arm.



# E-Z Clip System

## Assembly Instructions

### Step 7: Close the Clips.

Use the FT1357 pliers to close the clips. The pliers should be positioned squarely on the clip connection points and should remain square during the closing of the clip.

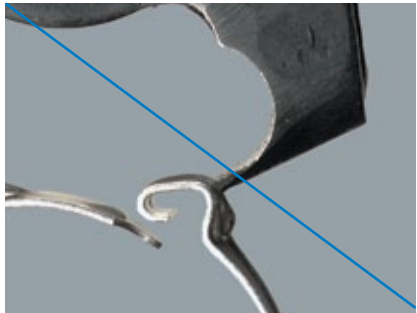
The nose of the pliers should be firmly seated under the assembly bump and lock latch.



correct



incorrect



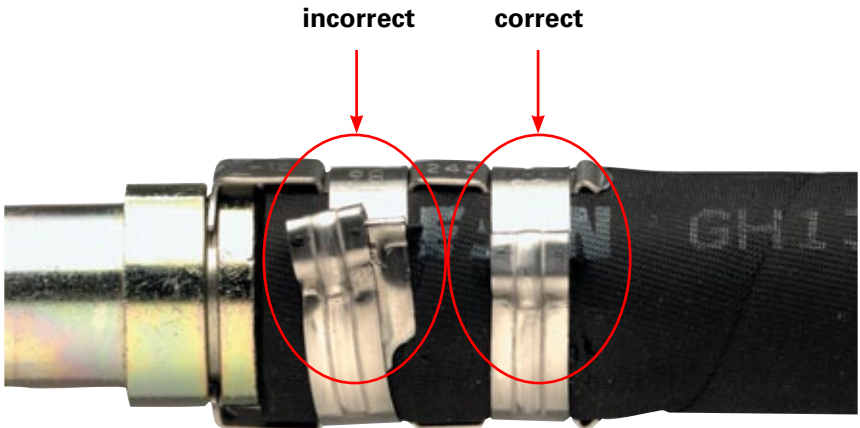
For easiest assembly, the clasp should be closed between the cage arms.



# Note

If the pliers are not kept square during closing of the clip, the clasp may have an offset. Use the pliers to correct the clasp alignment.

E-Z Clip components should not be reused.



**CAUTION:** Failure to follow these assembly instructions and/or the use of Eaton hose with fittings supplied by other manufacturers may result in unreliable and unsafe hose assemblies, which may result in sudden or unintended escape of refrigerant gases. Personal injury and/or violations of the EPA regulations may occur as a consequence.

Eaton recommends adherence to all guidelines, including EPA guidelines, concerning the services of refrigerant systems.

Eaton  
Hydraulics Group USA  
14615 Lone Oak Road  
Eden Prairie, MN 55344  
USA  
Tel: 952-937-9800  
Fax: 952-294-7722  
[www.eaton.com/hydraulics](http://www.eaton.com/hydraulics)

Eaton  
Hydraulics Group Europe  
Route de la Longeraie 7  
1110 Morges  
Switzerland  
Tel: +41 (0) 21 811 4600  
Fax: +41 (0) 21 811 4601

Eaton  
Hydraulics Group Asia Pacific  
Eaton Building  
No.7 Lane 280 Linhong Road  
Changning District, Shanghai  
200335 China  
Tel: (+86 21) 5200 0099  
Fax: (+86 21) 2230 7240



*Powering Business Worldwide*

© 2013 Eaton  
All Rights Reserved  
Printed in USA  
Document No. E-HOAC-I1001-E  
Supersedes: W-HOAC-T1001-E  
A-HC-TI-0001-E  
March 2013