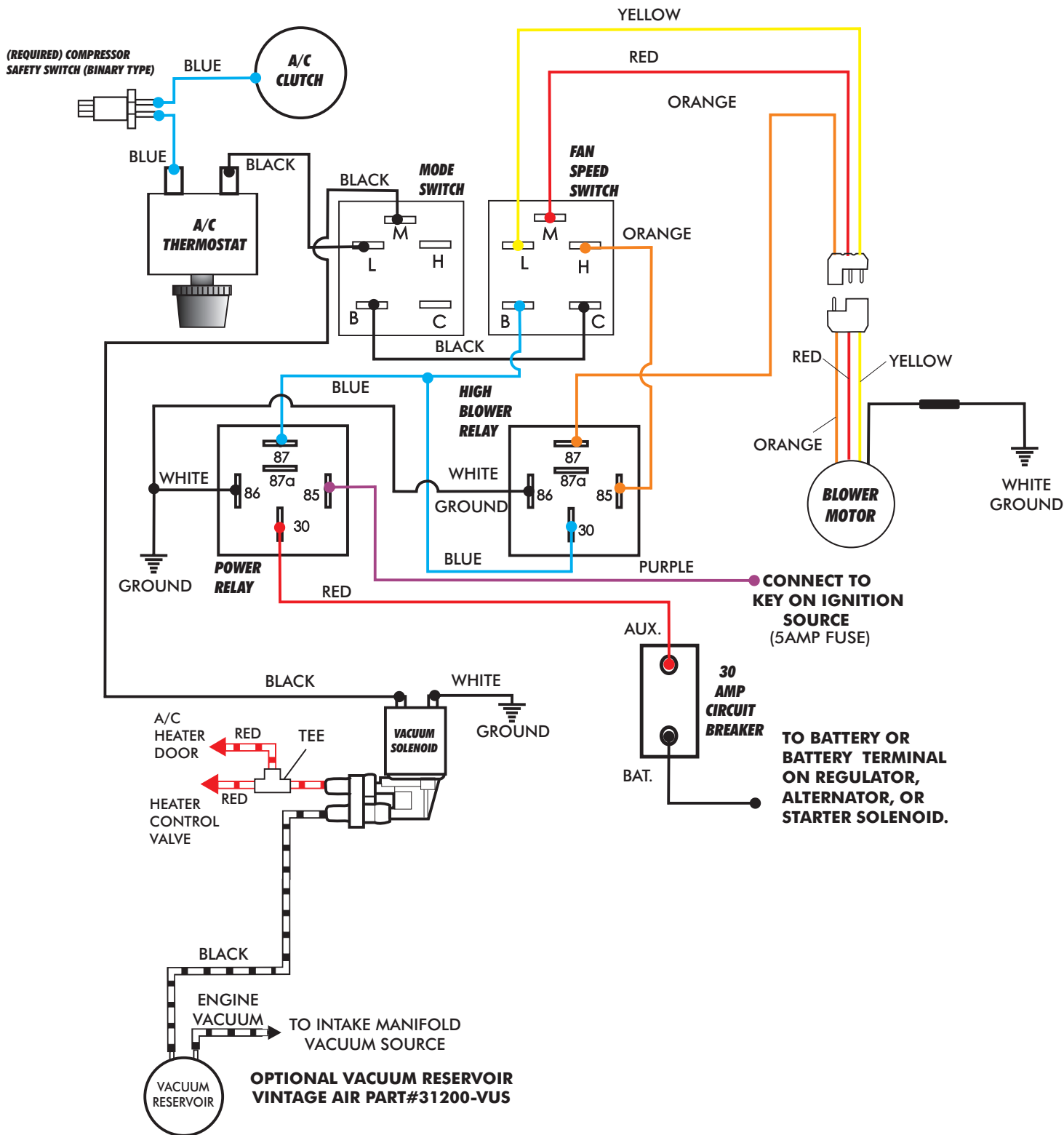




WIRING/VACUUM DIAGRAM

HEAT/COOL



WIRES = ●——●

VACUUM LINES = RED BLACK