

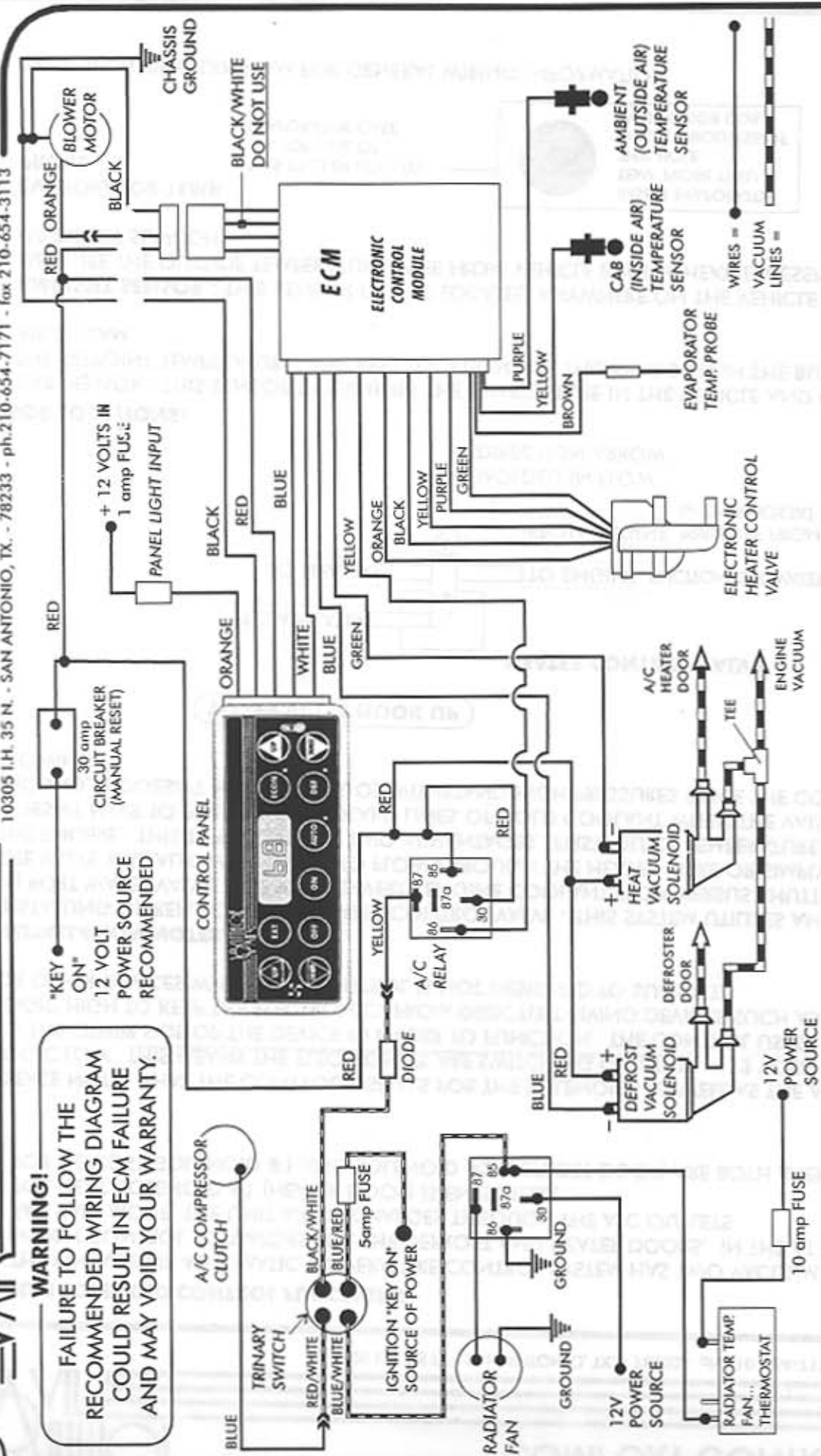


# PRODUCTION DISCONTINUED

COMFORT CONTROL INSTRUCTIONS

10305 I.H. 35 N. - SAN ANTONIO, TX. - 78233 - ph.210-654-7171 - fax 210-654-3113

**WARNING!**  
FAILURE TO FOLLOW THE  
RECOMMENDED WIRING DIAGRAM  
COULD RESULT IN ECM FAILURE  
AND MAY VOID YOUR WARRANTY.



- ① INSTALL #6 SPLICER WITH SERVICE PORT IN THE HIGH PRESSURE LINE BETWEEN THE CONDENSER AND DRIER OR BETWEEN THE DRIER AND THE EVAPORATOR. SEE FIGURE 2.
- ② TRINARY FUNCTION SWITCH WILL SPLICE INTO THE YELLOW WIRE WHICH RUNS FROM THE A/C RELAY (POLE #87) TO THE A/C CLUTCH. CONNECT TRINARY FUNCTION SWITCH BLACK/WHITE WIRE TO THE YELLOW WIRE CONNECTED TO THE POLE ON THE A/C RELAY. CONNECT TRINARY FUNCTION SWITCH RED/WHITE WIRE TO BLUE WIRE WITH BULLET PLUG RUNNING TO A/C COMPRESSOR. CONNECT TRINARY FUNCTION SWITCH BLUE/RED WIRE TO 12 VOLT IGNITION "KEY ON" SOURCE. IT MUST BE PROTECTED WITH A 5 amp FUSE. CONNECT TRINARY FUNCTION SWITCH BLUE/WHITE WIRE TO PIN #85 ON RELAY FOR ELECTRIC FAN.
- ③ WIRE ELECTRIC FAN AS SHOWN IN FIGURE 1.