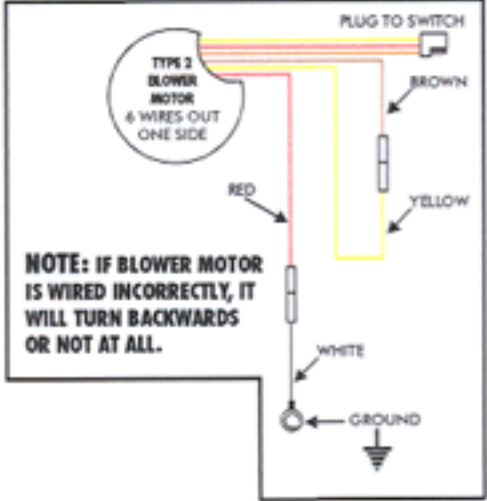
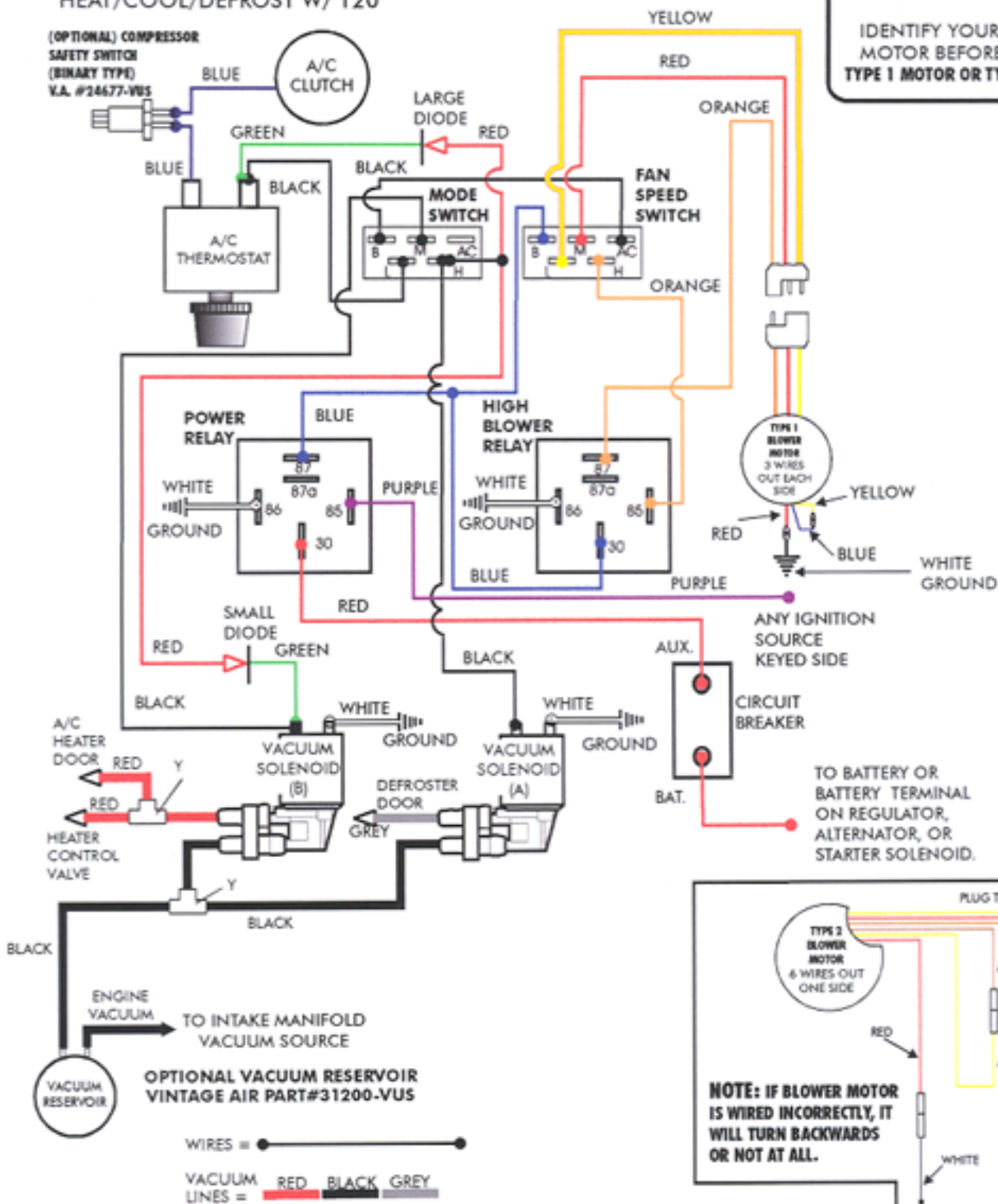


WIRING/VACUUM DIAGRAM HEAT/COOL/DEFROST W/ 120

IMPORTANT NOTICE:

IDENTIFY YOUR BLOWER MOTOR BEFORE WIRING
TYPE 1 MOTOR OR TYPE 2 MOTOR



NOTE: IF BLOWER MOTOR IS WIRED INCORRECTLY, IT WILL TURN BACKWARDS OR NOT AT ALL.